

## DS-2CE56D0T-VFIRF HD 1080p IR Dome Camera



### Key Features

- 2 megapixel high performance CMOS
- Analog HD output, up to 1080p resolution
- Day/Night switch
- Smart IR
- Up to 30 m IR distance
- Switchable TVI/AHD/CVI/CVBS

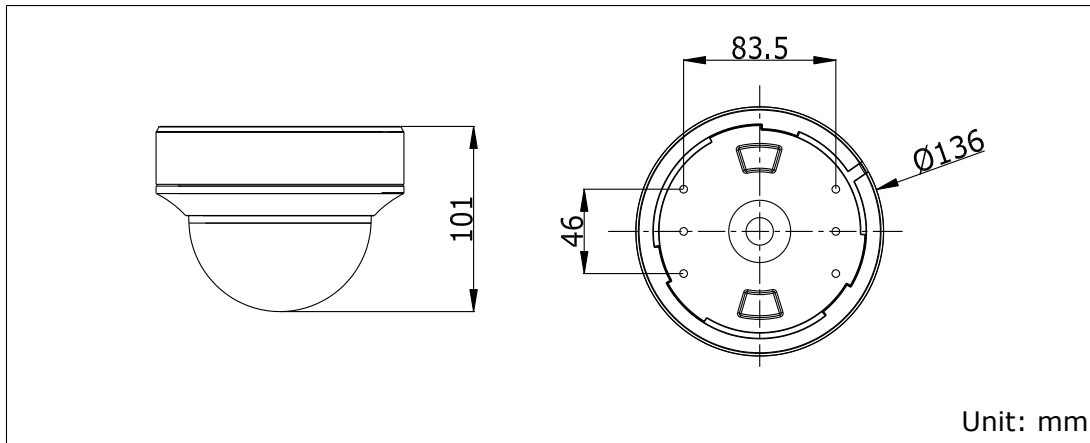
## Specifications

<b>Camera</b>	
Image Sensor	2MP CMOS image sensor
Signal System	PAL/NTSC
Effective Pixels	1920 (H) × 1080 (V)
Min. illumination	0.01 Lux@(F1.2,AGC ON), 0 Lux with IR
Shutter Time	1/25 (1/30) s to 1/50,000 s
Lens	2.8 - 12 mm @ F1.4
	Angle of view: 102.25° - 32°
Lens Mount	Φ14
Day & Night	ICR
Angle Adjustment	Pan: 0° to 340°, Tilt: 0° to 75°, Rotation: 0° to 355°
Synchronization	Internal synchronization
Video Frame Rate	1080p@25fps/1080p@30fps
HD Video Output	1 analog HD output
S/N Ratio	>62 dB
<b>General</b>	
Operating Conditions	-40 °C to 60 °C (-40 °F to 140 °F), Humidity 90% or less (non-condensation)
Power Supply	12 VDC ± 15%
Power Consumption	Max. 4 W
IR Range	Up to 30 m
Dimensions	Φ136 × 101 mm (Φ 5.35" × 3.98")
Weight	600 g

## Order Model

DS-2CE56D0T-VFIRF

**Dimensions**



**Accessories**



DS-1273ZJ-130  
Wall Mounting



DS-1275ZJ-SUS  
Vertical Pole Mounting



DS-1271ZJ-130  
Pendant Mounting



DS-1273ZJ-130B  
Wall Mounting



DS-1249ZJ  
In-ceiling Mounting



DS-1276ZJ-SUS  
Corner Mounting



DS-1H18  
Video Balun



X41T  
Camera Tester