

Idrosanitaria Bonomi



BALL VALVES

- 12 GAS BALL VALVES
- 16 IDROSOLAR
- 18 WATER BALL VALVES

COMPONENTS FOR PLUMBING AND HEATING

- 56 STOP AND GATE VALVES
- 72 SWING CHECK AND CHECK VALVES
- 80 STRAINERS
- 82 BOILER DRAIN VALVES
- 90 BUILT-IN TAPS
- 96 BIBCOCK
- 106 UPPER PARTS
- 114 UNDER-BASIN AND WASHING MACHINE TAPS
- 122 PRESSURE REDUCERS AND GAUGES

BRONZE VALVES

- 130 BALL VALVES
- 132 ANGLE-SEAT VALVES
- 134 GLOBE VALVES
- 136 SWING CHECK AND HORIZONTAL VALVES
- 140 STRAINERS
- 143 GATE VALVES

MANIFOLDS AND ACCESSORIES

- 148 MANIFOLDS

VALVES AND LOCKSHIELDS FOR RADIATORS

- 172 VALVES AND LOCKSHIELDS

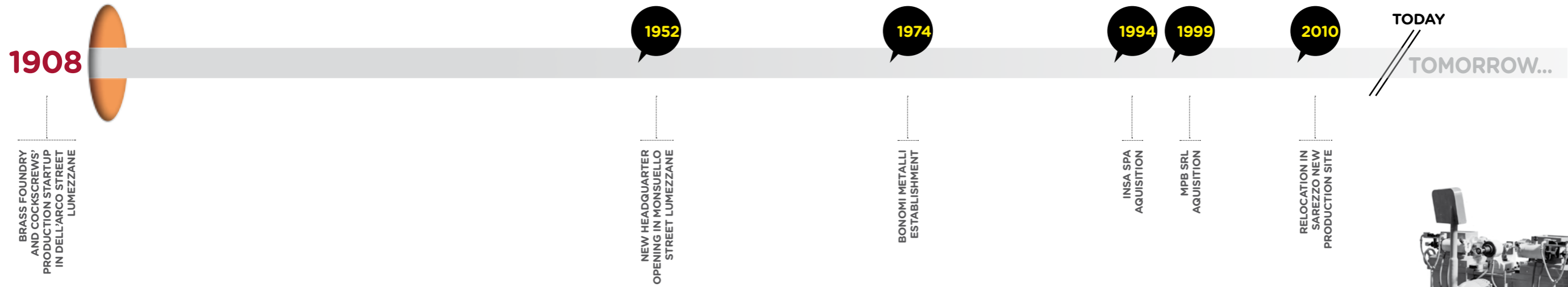
FITTINGS

- 198 WATER PRESS FITTINGS
- 224 HOMEGAS SYSTEM
- 238 WATER COMPRESSION FITTINGS

- 256 ALPHANUMERICAL INDEX

BONOMI IDROSANITARIA WAS FOUNDED IN BONOMI FAMILY, WHO LAUNCHED A FOUNDRY

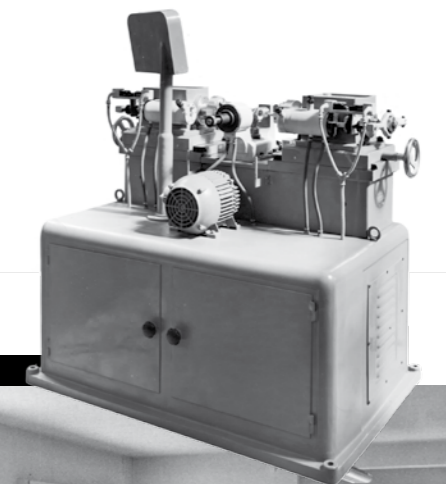
1908 THANKS TO AN INTUITION OF THE FOR MANUFACTURING BRASS ITEMS.



The company traces its history back to the beginning of last century: we are in **1908**, Lumezzane, when it comes to life the family business of foundry and workshop for machining brass items.

The technical local tradition and the family dedication to the undertaken activities have led, generation after generation, to the creation of a company increasingly specialized in design, manufacture and marketing of components for plumbing systems, civil and industrial ones, which distribute, control and intercept fluid and gas fuels.

YESTERDAY^{1.}



TRAINING IS DUE NOT ONLY TO COMMERCIAL AND CREATION OF AN ESTEEM BOND.

DEVELOPMENT, BUT ALSO TO THE ENHANCEMENT



TODAY².

Idrosanitaria Bonomi can now be appreciated as one of the top level manufacturers in the plumbing sector, thanks to a human and technological heritage of great value.

Essential factors for the company are undoubtedly innovation and human resources. The complexity of market rules, the continuous transformation of products and inquiries have led Idrosanitaria Bonomi to believe it is necessary to constantly promote and carry out training courses, also to implement new production and management technologies to support its employees.



Training is due not only to commercial development, but also to the enhancement and creation of an esteem bond.

Idrosanitaria Bonomi is also making increasingly close collaborations with several universities, specialised in Technical Engineering and Academies of Fine Arts.

At the base of the evolution of a craft, there can only be technology. To support its Technical Department, Idrosanitaria Bonomi avails itself of R&D Consortium **RUVARIS**, of which it has been a partner and an integral part for a long time.

CONSORZIO RUVARIS

IT AIMS TO DEVELOP RESEARCH COLLABORATIONS WITH LEADING ITALIAN UNIVERSITIES FOR THE STUDY OF INNOVATIVE TECHNOLOGIES AND FOR THE DESIGN OF ALTERNATIVE AND AVANT-GARDE MATERIALS.

THE MAIN POINTS OF INTEREST OF THE CONSORTIUM ARE: COMPLIANCE WITH INTERNATIONAL STANDARDS OF WATER QUALITY FOR HUMAN CONSUMPTION, THE STUDY AND DEVELOPMENT OF ALTERNATIVE RAW MATERIALS AND SURFACE TREATMENTS, THE SEARCH FOR SOLUTIONS TO INTEGRATE HOME AUTOMATION IN CIVIL TAPS.

CURRENTLY THE CONSORTIUM RUVARIS INCLUDES 21 COMPANIES ACROSS THE SANITARY FAUCETS AND VALVES SECTORS.



WE ARE MADE THIS WAY

Currently, approximately 90 employees are committed to production and administrative departments.

The production cycle is carried out in two separate plants, that globally cover an **area of 25,000 square meters**, of which 15,000 are covered.

Daily production capacity is of 50,000 pieces, which are stocked in our warehouses.

In 2010 the new production headquarter in **Sarezzo** has been completed, it has therefore been possible to bring together most of the production departments with the consequent rationalization of the production flow and logistics. At the same time, it has been objectively possible to protect and sustain the physical integrity of employees, achieved through the modernization and substantial improvement of the workplace.

IDROSANITARIA BONOMI IS PRESENT IN EUROPEAN
ITS TURNOVER COMES FROM EXPORT SALES.

In **Muscoline** plant, it has been set up a fully automated division to assemble fittings.

Idrosanitaria Bonomi is one of the few companies in which all production processes take place inside the company:

the design, based on sophisticated CAD systems the production, carried out through:

- ▶ A modern department of forging brass
- ▶ A department with advanced machining centers CNC transfer, completely managed by robots

- ▶ A brass bar manufacturing department with multi-spindle automatic lathes
- ▶ A department of assembly and test
- ▶ A galvanic nickel-chrome plating department, for the surface treatment of the products.

The production cycle is completely managed by **integrated and computerized systems**, such as the checks during the manufacturing processes.

THERE IS SOMETHING FOR EVERYONE

Idrosanitaria Bonomi manufacturing processes for the plumbing industry sector consists of three main product lines, covering comprehensively the components used for the installation of modern and sophisticated air conditioning and heating systems, such as ball valves for water and gas, valves and manifolds for heating elements and multilayer pipe fittings.



The brand Bonomi Contemporaneo Italiano rather sharply places itself as the ideal partner for the high-tech sanitary chrome faucets, where design has a crucial role not only visually but also emotionally.

AND EXTRA EUROPEAN MARKETS, ABOUT 70% OF

ON THE ROAD

Idrosanitaria Bonomi is present in European and Extra European markets, about 70% of its turnover comes from export sales.

...RESPECTING THE ENVIRONMENT

Idrosanitaria Bonomi strongly believes in the commitment to environmental protection and defense of health and safety at work.

It is no longer a choice between manufacturing one way or another, it is a moral and ethical obligation.



THE COMPANY'S ROOTS AND TO REACH OUT FOR THE FUTURE,

It is for this reason that we give great attention to the work environment, ensuring sustainable and responsible use of energy resources used to minimize the impact on the environment outside the company.

TO TRUST IS GOOD

The **DIN EN ISO 9001** has been obtained by the company with the approval of one of the most qualified certification bodies in the European context: the German **TUV**.

The result obtained in 1994, it is the certification of an internal system that provides a rigorous control of production phases, coordinated by the **Quality Manager** throughout the whole evolution of the orders.

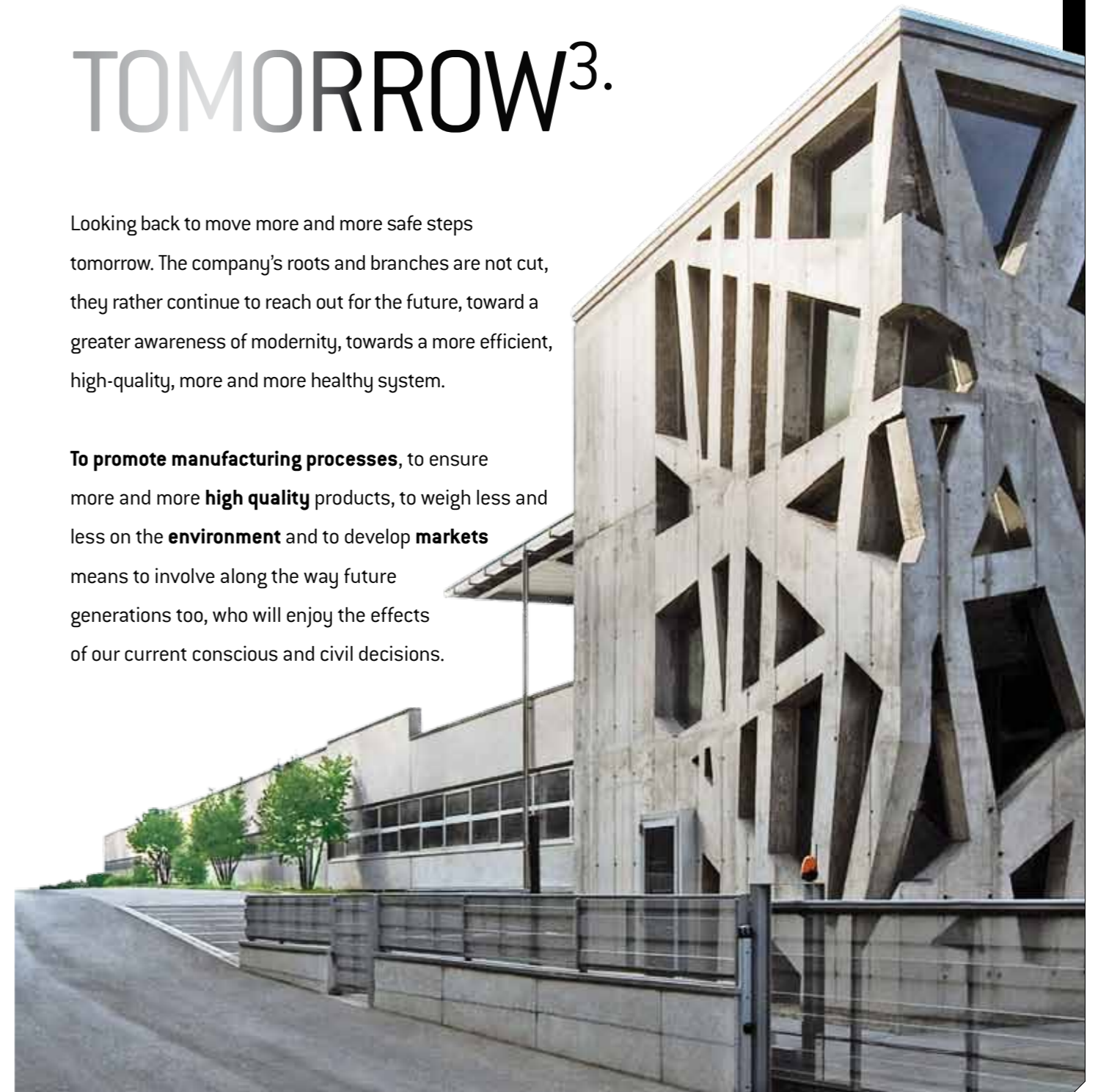


BRANCHES ARE NOT CUT, THEY RATHER CONTINUE TOWARD A GREATER AWARENESS OF MODERNITY

TOMORROW³.

Looking back to move more and more safe steps tomorrow. The company's roots and branches are not cut, they rather continue to reach out for the future, toward a greater awareness of modernity, towards a more efficient, high-quality, more and more healthy system.

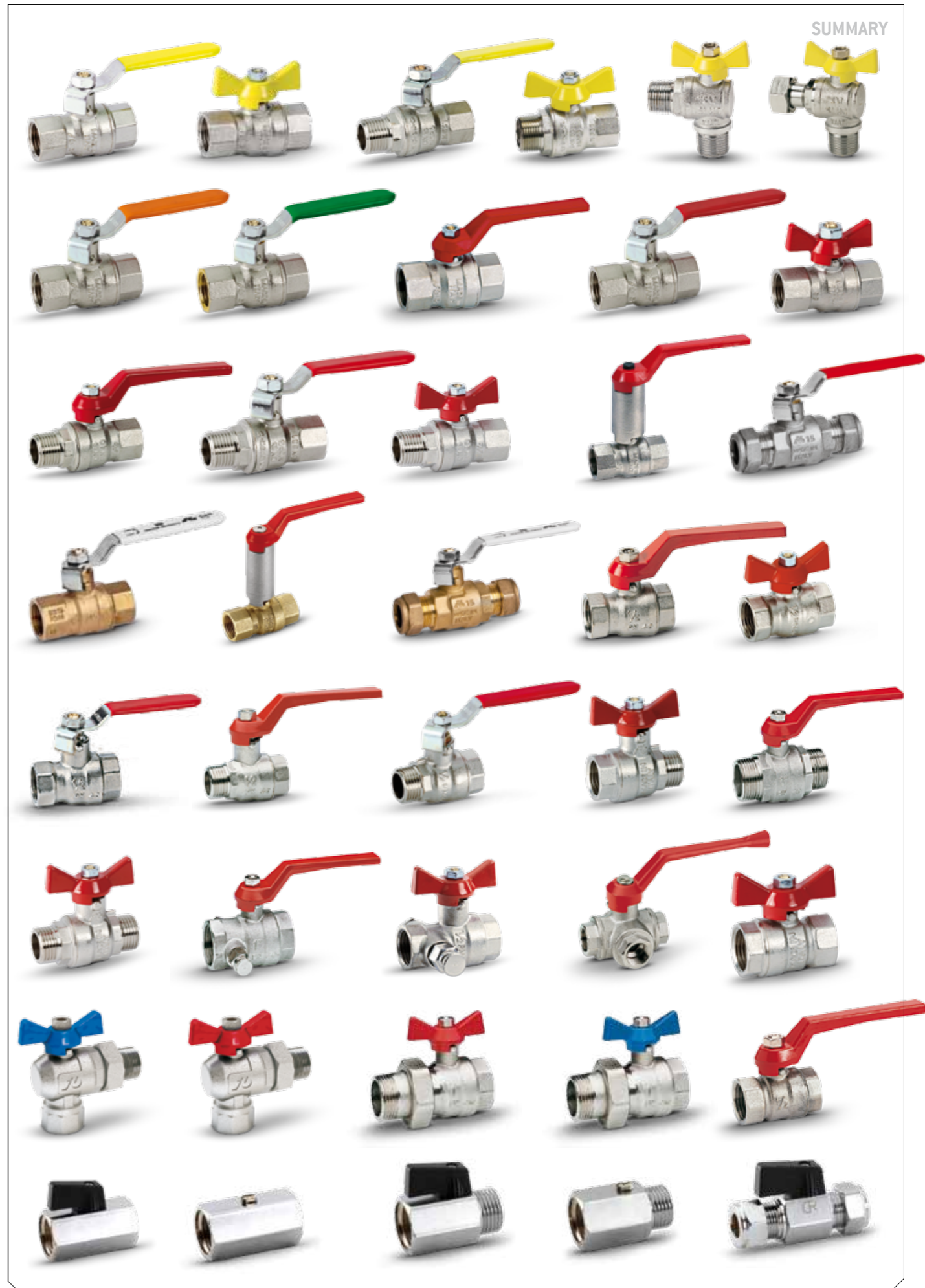
To promote manufacturing processes, to ensure more and more **high quality** products, to weigh less and less on the **environment** and to develop **markets** means to involve along the way future generations too, who will enjoy the effects of our current conscious and civil decisions.





► Idrosanitaria Bonomi
ALWAYS EVOLVING

1 BALL VALVES



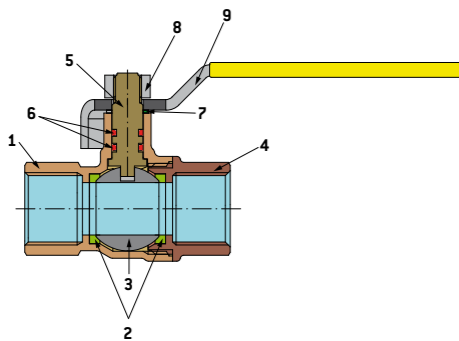
7950...

MISSOURI

GAS BALL VALVES



NG-4312BP0178



- F/F gas ball valve with iron lever
- Female thread: EN10226-1 (ex ISO7/1)
- Pressure class: MOP 5
- Temperature range: -20°C to +60°C

This valve is particularly indicated for distributing and shutting off low pressure gas. It is manufactured and certified according to EN331 standards, class MOP5.

Other excellent fields of application are in plant engineering for plumbing and heating, and industry. It is a full-bore valve, and ball seal is provided by two PTFE seats.

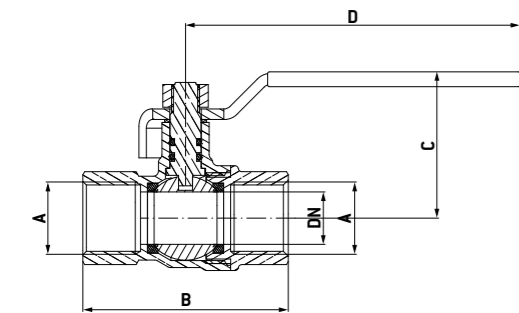
Seal of the stem is provided by two Viton O-rings with the stem mounted from inside and a bottom-loaded system.

COMPONENTS:

POSN.	PART NAME	No. Pcs.	MATERIAL
1	Body	1	CW617N UNI-EN 12165 Nickel-plated
2	Seal	2	PTFE
3	Ball	1	CW617N UNI-EN 12165 Chrome-plated
4	End connection	1	CW617N UNI-EN 12165 Nickel-plated
5	Stem	1	CW617N UNI-EN 12164
6	O-ring	2	VITON®
7	Washer	1	PTFE
8	Nut	1	Galvanised iron
9	Lever	1	Galvanised iron and PVC coated

DIMENSIONS:

DN	A	B	C	D
15	Rp 1/2"	59	41	95
20	Rp 3/4"	68	46	95
25	Rp 1"	80	56	120
32	Rp 1.1/4"	96	63	120
40	Rp 1.1/2"	106	80	150
50	Rp 2"	130	88	150



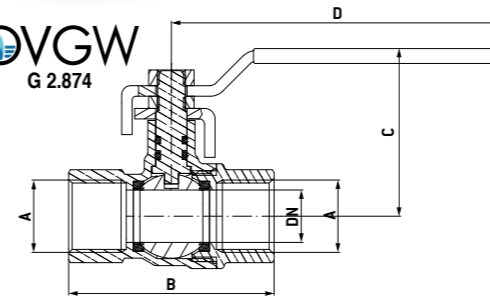
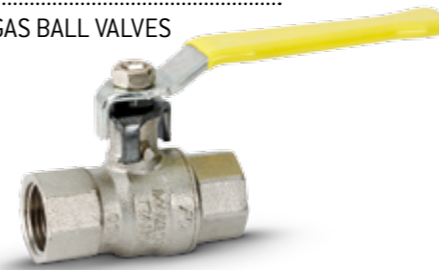
PACKAGING:

	Rp 1/2"	Rp 3/4"	Rp 1"	Rp 1.1/4"	Rp 1.1/2"	Rp 2"
CODE	79500104	79500106	79500108	79500110	79500111	79500113
PIECES PER BOX	15	10	8	-	-	-
PIECES PER CARTON	180	120	72	25	16	12

7950A...

MISSOURI

GAS BALL VALVES



- F/F gas ball valve with iron lever
- Female thread: EN10226-1 (ex ISO7/1)
- Pressure class: MOP 5
- Temperature range: -20°C to +60°C

DIMENSIONS:

DN	A	B	C	D
15	Rp 1/2"	59	48	95
20	Rp 3/4"	68	53	95
25	Rp 1"	80	63	120
32	Rp 1.1/4"	96	70	120
40	Rp 1.1/2"	106	87	150
50	Rp 2"	130	95	150

PACKAGING:

	Rp 1/2"	Rp 3/4"	Rp 1"	Rp 1.1/4"	Rp 1.1/2"	Rp 2"
CODE	7950A104	7950A106	7950A108	7950A110	7950A111	7950A113
PIECES PER BOX	15	10	8	-	-	-
PIECES PER CARTON	180	120	72	25	16	12

7952...

MISSOURI

GAS BALL VALVES

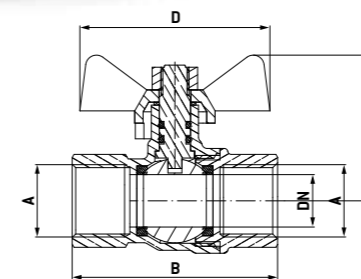


NG-4312BP0178

- F/F gas ball valve with "T" handle
- Female thread: EN10226-1 (ex ISO7/1)
- Pressure class: MOP 5
- Temperature range: -20°C to +60°C

DIMENSIONS:

DN	A	B	C	D
15	Rp 1/2"	59	41	50
20	Rp 3/4"	68	47	67
25	Rp 1"	80	52	67



PACKAGING:

	Rp 1/2"	Rp 3/4"	Rp 1"
CODE	79520004	79520006	79520008
PIECES PER BOX	15	10	8
PIECES PER CARTON	180	120	72

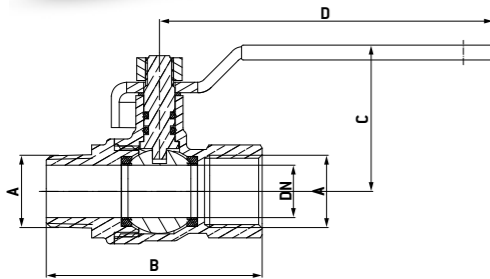
795501...

MISSOURI

GAS BALL VALVES



NG-4312BP0178



DIMENSIONS:

DN	A	B	C	D
15	Rp 1/2"	65	41	95
20	Rp 3/4"	72	46	95
25	Rp 1"	86	56	120
32	Rp 1.1/4"	101	63	120
40	Rp 1.1/2"	113	80	150
50	Rp 2"	134	88	150

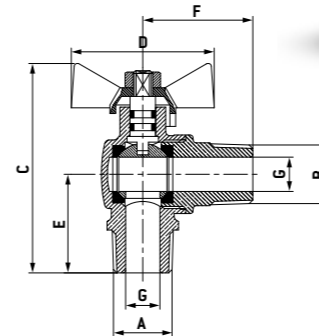
PACKAGING:

	Rp 1/2"	Rp 3/4"	Rp 1"	Rp 1.1/4"	Rp 1.1/2"	Rp 2"
CODE	79550104	79550106	79550108	79550110	79550111	79550113
PIECES PER BOX	15	10	8	-	-	-
PIECES PER CARTON	180	120	72	20	16	12

7930...

RODANO

GAS BALL VALVES



- M/M angle ball valve for gas
- Thread: EN10226-1 (ex ISO7/1)

DIMENSIONS:

A	B	C	D	E	F	G
Rp 1/2"	Rp 1/2"	73	50	35	41	12

PACKAGING:

	Rp 1/2"
CODE	79300004G
PIECES PER BOX	15
PIECES PER CARTON	150

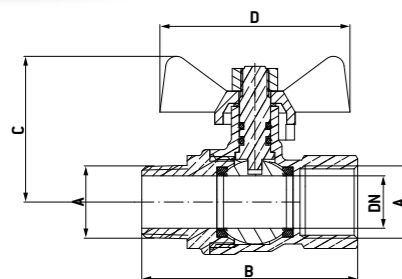
7955...

MISSOURI

GAS BALL VALVES



NG-4312BP0178



DIMENSIONS:

DN	A	B	C	D
15	Rp 1/2"	65	41	50
20	Rp 3/4"	72	47	67
25	Rp 1"	86	52	67

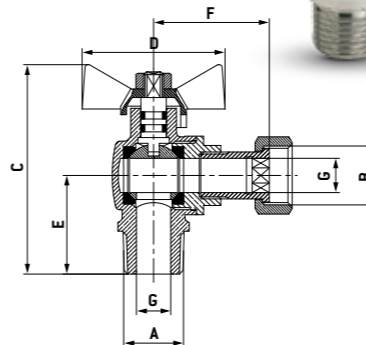
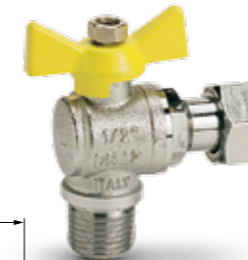
PACKAGING:

	Rp 1/2"	Rp 3/4"	Rp 1"
CODE	79550004	79550006	79550008
PIECES PER BOX	15	10	8
PIECES PER CARTON	180	120	72

7935...

RODANO

GAS BALL VALVES



- M/swivel nut angle ball valve for gas
- Male thread: EN10226-1 (ex ISO7/1)
- Female thread: ISO 228

DIMENSIONS:

A	B	C	D	E	F	G
Rp 1/2"	1/2"	73	50	35	41	12
Rp 1/2"	3/4"	73	50	35	41	12

PACKAGING:

	Rp 1/2"	Rp 3/4"
CODE	79350004G	79350006G
PIECES PER BOX	15	15
PIECES PER CARTON	150	150

7990...

IDROSOLAR

BALL VALVES FOR SOLAR PLANTS



- F/F ball valve for solar plants
- Thread: EN10226-1 (ex ISO7/1)
- Temperature range: -10°C to +200°C

This valve is particularly indicated for distributing and shutting off generally non-corrosive fluids at high temperatures that are compatible with the valve materials.

Excellent fields of application are in plant engineering for solar.

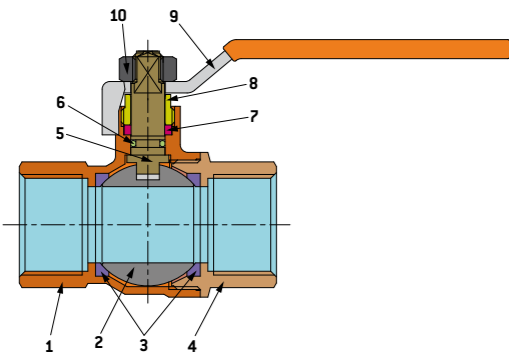
It is a full-bore valve, and ball seal is provided by two special PTFE seats.

Seal of the stem is provided by a special stuff ring and one O-ring with special compound for high temperature and adjustable gland with stem mounted from inside with a bottom-loaded system.

It is advisable to perform a complete manoeuvring cycle at least once every 3 months to prevent the formation of limescale, which would affect operation.

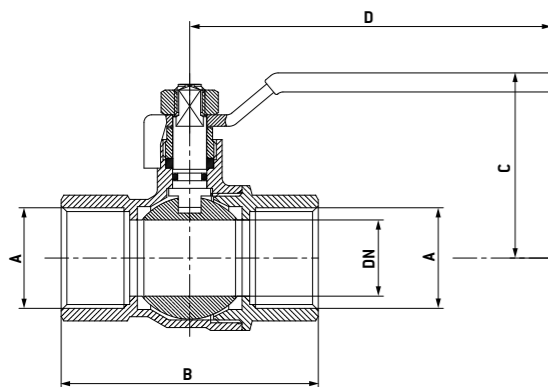
COMPONENTS:

POSN.	PART NAME	No. pcs.	MATERIAL
1	Body	1	CW617N UNI-EN 12165 Nickel-plated
2	Ball	1	CW617N UNI-EN 12165 Chrome-plated
3	Seal	2	Special PTFE
4	End connection	1	CW617N UNI-EN 12165 Nickel-plated
5	Stem	1	CW617N UNI-EN 12164
6	O-ring	1	Compound for high temperature
7	Washer	1	Special compound
8	Gland	1	CW617N UNI-EN 12164
9	Lever	1	Galvanised iron
10	Nut	1	Galvanised iron



DIMENSIONS:

DN	A	B	C	D
10	Rp 3/8"	51	40	87
15	Rp 1/2"	59	43	95
20	Rp 3/4"	68	48	95
25	Rp 1"	80	57	120
32	Rp 1.1/4"	96	65	120
40	Rp 1.1/2"	106	82	150
50	Rp 2"	130	90	150



PACKAGING:

	Rp 3/8"	Rp 1/2"	Rp 3/4"	Rp 1"	Rp 1.1/4"	Rp 1.1/2"	Rp 2"
CODE	79900103	79900104	79900106	79900108	79900110	79900111	79900113
PIECES PER BOX	15	15	10	8	-	-	-
PIECES PER CARTON	180	180	120	72	25	16	12

7970...

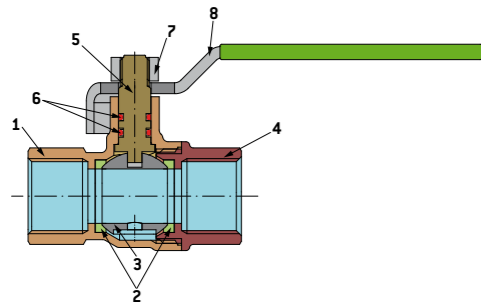
IDROGREEN

WATER BALL VALVES



- F/F ecological ball valve
- Thread: EN10226-1 (ex ISO 7/1)
- Temperature range: 0°C to +95°C

This valve is particularly indicated for distributing and shutting off of water for human consumption, manufactured in accordance with standard EN 13828. Excellent field of application is in plant engineering for plumbing. It is a full-bore valve, and ball seal is provided by two PTFE seats. The special ball avoid the stagnation of water and the eventual proliferation of dangerous bacteria. Seal of the stem is provided by two EPDM Perox O-rings with the stem mounted from inside and a bottom-loaded system. It is advisable to perform a complete manoeuvring cycle at least once every 3 months to prevent the formation of limescale, which would affect operation.

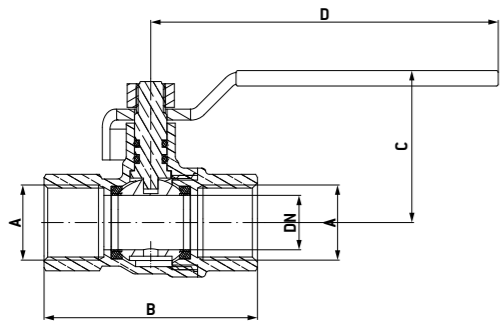


COMPONENTS:

POSN.	PART NAME	No. Pcs.	MATERIAL
1	Body	1	CW617N UNI-EN 12165
2	Seal	2	PTFE
3	Ball	1	CW617N UNI-EN 12165 Chrome-plated
4	End connection	1	CW617N UNI-EN 12165
5	Stem	1	CW617N UNI-EN 12164
6	O-ring	2	EPDM PEROX
7	Nut	1	Galvanised iron
8	Lever	1	Galvanised iron and PVC coated

DIMENSIONS:

DN	A	B	C	D	PN
10	3/8"	51	38	87	40
15	1/2"	59	41	95	40
20	3/4"	68	46	95	40
25	1"	80	56	120	40
32	1.1/4"	96	63	120	30
40	1.1/2"	106	80	150	30
50	2"	130	88	150	30



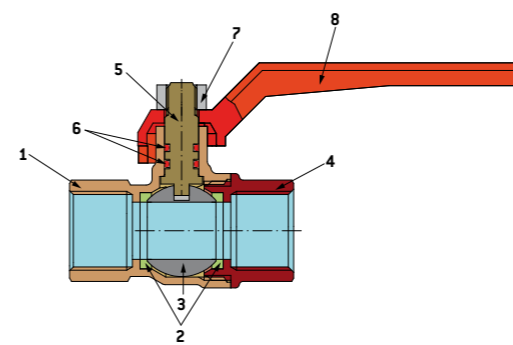
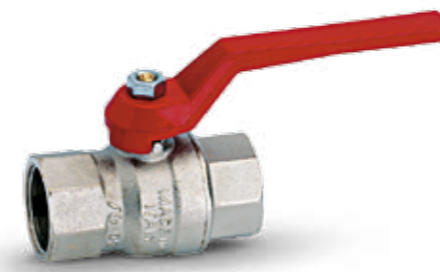
PACKAGING:

	3/8"	1/2"	3/4"	1"	1.1/4"	1.1/2"	2"
CODE	79700103	79700104	79700106	79700108	79700110	79700111	79700113
PIECES PER BOX	15	15	10	8	-	-	-
PIECES PER CARTON	180	180	120	72	25	16	16

7951...

MISSOURI

WATER BALL VALVES



- F/F water ball valve with aluminium lever
- Thread: EN10226-1 (ex ISO 7/1)
- Temperature range: -10°C to +95°C

This valve is particularly indicated for distributing and shutting off generally non-corrosive fluids that are compatible with the valve materials. Excellent fields of application are in plant engineering for plumbing and heating, industry and agriculture. It is a full-bore valve, and ball seal is provided by two PTFE seats. Seal of the stem is provided by two NBR O-rings with the stem mounted from inside and a bottom-loaded system. It is advisable to perform a complete manoeuvring cycle at least once every 3 months to prevent the formation of limescale, which would affect operation.

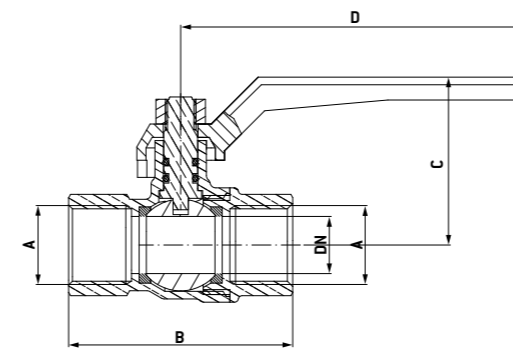
COMPONENTS:

POSN.	PART NAME	No. Pcs.	MATERIAL
1	Body	1	CW617N UNI-EN 12165 Nickel-plated
2	Seal	2	PTFE
3	Ball	1	CW617N UNI-EN 12165 Chrome-plated
4	End connection	1	CW617N UNI-EN 12165 Nickel-plated
5	Stem	1	CW617N UNI-EN 12164
6	O-ring	2	NBR
7	Nut	1	Galvanised iron
8	Lever	1	Lacquered aluminium

DIMENSIONS:

DN	A	B	C	D	PN	KV*
10	Rp 3/8"	51	40	92	40	-
15	Rp 1/2"	59	43	92	40	10,05
20	Rp 3/4"	68	52	115	40	21,57
25	Rp 1"	80	59	115	40	49,14
32	Rp 1.1/4"	96	69	125	30	68,65
40	Rp 1.1/2"	106	81	150	30	98,83
50	Rp 2"	130	89	150	30	177,04

*PRESSURE DROP see chart on page 52-53



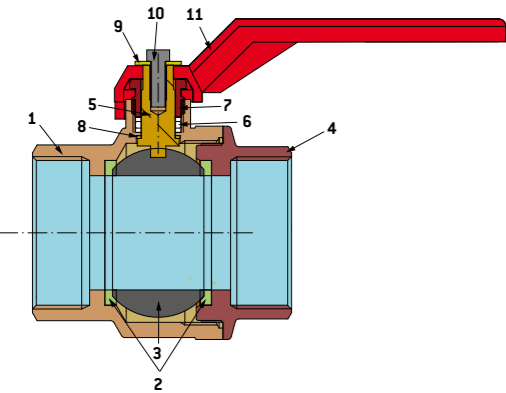
PACKAGING:

	Rp 3/8"	Rp 1/2"	Rp 3/4"	Rp 1"	Rp 1.1/4"	Rp 1.1/2"	Rp 2"
CODE	79510203	79510204	79510206	79510208	79510210	79510211	79510213
PIECES PER BOX	20	15	12	8	-	-	-
PIECES PER CARTON	200	180	120	72	25	16	12

7951 FROM 2.1/2" TO 4"...

MISSOURI

WATER BALL VALVES



- F/F water ball valve with aluminium lever
- Thread: ISO 288
- Temperature range: -10°C to +95°C

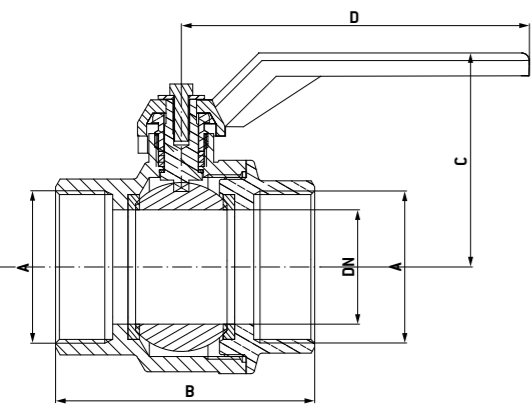
This valve is particularly indicated for distributing and shutting off generally non-corrosive fluids that are compatible with the valve materials. Excellent fields of application are in plant engineering for plumbing and heating, industry and agriculture. It is a standard-flow valve, and ball seal is provided by two PTFE seats. Seal of the stem is provided by two PTFE ring and an adjustable gland with the stem mounted from inside and a bottom-loaded system. It is advisable to perform a complete manoeuvring cycle at least once every 3 months to prevent the formation of limescale, which would affect operation.

COMPONENTS:

POSN.	PART NAME	No. Pcs.	MATERIAL
1	Body	1	CW617N UNI-EN 12165 Nickel-plated
2	Seal	2	PTFE
3	Ball	1	CW617N UNI-EN 12165 Chrome-plated
4	End connection	1	CW617N UNI-EN 12165 Nickel-plated
5	Stem	1	CW617N UNI-EN 12164
6	Gland packing	3	PTFE
7	Gland	1	CW614 UNI-EN 12164
8	Washer	1	PTFE
9	Washer	1	CW508L UNI-EN 1652
10	Screw	1	Galvanised iron
11	Lever	1	Lacquered aluminium

DIMENSIONS:

DN	A	B	C	D	PN
65	2.1/2"	132	109	240	20
80	3"	167	127	240	20
100	4"	200	160	240	20



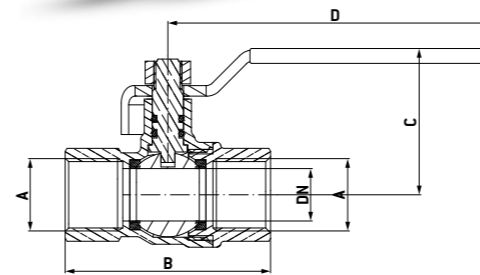
PACKAGING:

	2.1/2"	3"	4"
CODE	79510215	79510217	79510219
PIECES PER BOX	-	-	-
PIECES PER CARTON	10	5	4

795101...

MISSOURI

WATER BALL VALVES



- F/F ball valve with iron lever
- Thread: EN10226-1 (ex ISO 7/1)
- Temperature range: -10°C to +95°C

DIMENSIONS:

DN	A	B	C	D	PN	KV*
10	Rp 3/8"	51	38	87	40	-
15	Rp 1/2"	59	41	95	40	10,05
20	Rp 3/4"	68	46	95	40	21,57
25	Rp 1"	80	56	120	40	49,14
32	Rp 1.1/4"	96	63	120	30	68,65
40	Rp 1.1/2"	106	80	150	30	98,83
50	Rp 2"	130	88	150	30	177,04

*PRESSURE DROP see chart on page 52-53

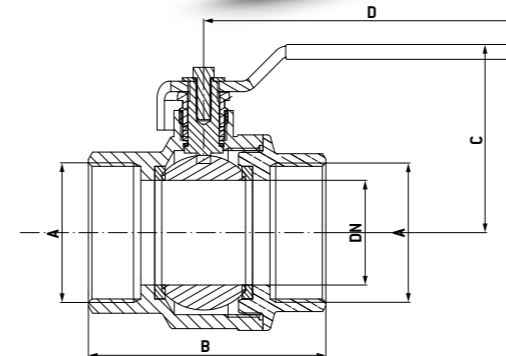
PACKAGING:

	Rp 3/8"	Rp 1/2"	Rp 3/4"	Rp 1"	Rp 1.1/4"	Rp 1.1/2"	Rp 2"
CODE	79510103	79510104	79510106	79510108	79510110	79510111	79510113
PIECES PER BOX	20	15	10	8	-	-	-
PIECES PER CARTON	200	180	120	72	20	16	12

795101 FROM 2.1/2" TO 4"...

MISSOURI

WATER BALL VALVES



- Ball valve F-F with iron lever
- Female thread: ISO 228
- Temperature range: -10°C to +95°C

DIMENSIONS:

DN	A	B	C	D	PN
65	2.1/2"	132	108	200	20
80	3"	167	126	200	20
100	4"	200	159	280	20

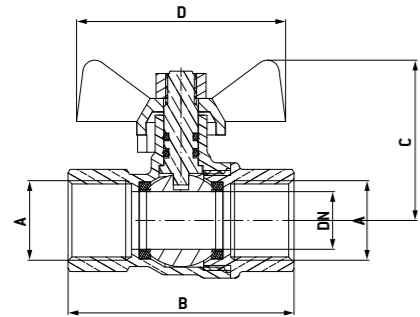
PACKAGING:

	2.1/2"	3"	4"
CODE	79510115	79510117	79510119
PIECES PER BOX	-	-	-
PIECES PER CARTON	10	5	4

7953...

MISSOURI

WATER BALL VALVES



- F/F ball valve with "T" handle
- Thread: EN10226-1 (ex ISO 7/1)
- Temperature range: -10°C to +95°C

DIMENSIONS:

DN	A	B	C	D	PN	KV*
10	Rp 3/8"	51	38	50	40	-
15	Rp 1/2"	59	41	50	40	10,05
20	Rp 3/4"	68	47	67	40	21,57
25	Rp 1"	80	52	67	40	49,14

*PRESSURE DROP SEE CHART ON Page 52-53

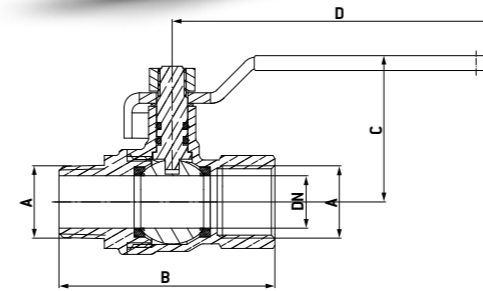
PACKAGING:

	Rp 3/8"	Rp 1/2"	Rp 3/4"	Rp 1"
CODE	79530003	79530004	79530006	79530008
PIECES PER BOX	20	15	10	8
PIECES PER CARTON	200	180	120	72

795701...

MISSOURI

WATER BALL VALVES



- M/F ball valve with iron lever
- Thread: EN10226-1 (ex ISO 7/1)
- Temperature range: -10°C to +95°C

DIMENSIONS:

DN	A	B	C	D	PN	KV*
15	Rp 1/2"	65	41	95	40	10,05
20	Rp 3/4"	72	46	95	40	21,57
25	Rp 1"	86	56	120	40	49,14
32	Rp 1.1/4"	101	63	120	30	68,65
40	Rp 1.1/2"	113	80	150	30	98,83
50	Rp 2"	134	88	150	30	177,04

*PRESSURE DROP SEE CHART ON Page 52-53

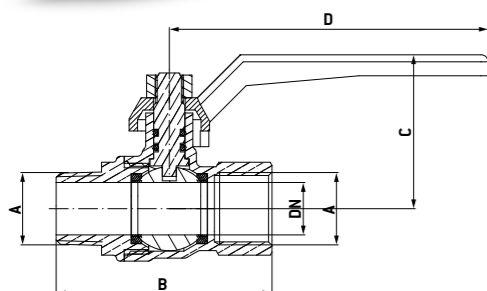
PACKAGING:

	Rp 1/2"	Rp 3/4"	Rp 1"	Rp 1.1/4"	Rp 1.1/2"	Rp 2"
CODE	79570104	79570106	79570108	79570110	79570111	79570113
PIECES PER BOX	15	10	8	-	-	-
PIECES PER CARTON	180	120	72	25	16	12

795702...

MISSOURI

WATER BALL VALVES



- M/F ball valve with aluminium lever
- Thread: EN10226-1 (ex ISO 7/1)
- Temperature range: -10°C to +95°C

DIMENSIONS:

DN	A	B	C	D	PN	KV*
15	Rp 1/2"	65	43	92	40	10,05
20	Rp 3/4"	72	52	115	40	21,57
25	Rp 1"	86	59	115	40	49,14
32	Rp 1.1/4"	101	69	125	30	68,65
40	Rp 1.1/2"	113	81	150	30	98,83
50	Rp 2"	134	89	150	30	177,04

*PRESSURE DROP SEE CHART ON Page 52-53

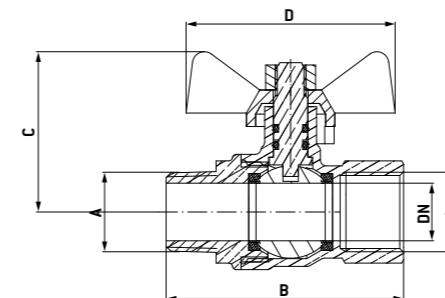
PACKAGING:

	Rp 1/2"	Rp 3/4"	Rp 1"	Rp 1.1/4"	Rp 1.1/2"	Rp 2"
CODE	79570204	79570206	79570208	79570210	79570211	79570213
PIECES PER BOX	15	12	8	-	-	-
PIECES PER CARTON	180	120	72	25	16	12

7957...

MISSOURI

WATER BALL VALVES



- M/F ball valve with "T" handle
- Thread: EN10226-1 (ex ISO 7/1)
- Temperature range: -10°C to +95°C

DIMENSIONS:

DN	A	B	C	D	PN	KV*
15	Rp 1/2"	65	41	50	40	10,05
20	Rp 3/4"	72	47	67	40	21,57
25	Rp 1"	86	52	67	40	49,14

*PRESSURE DROP SEE CHART ON Page 52-53

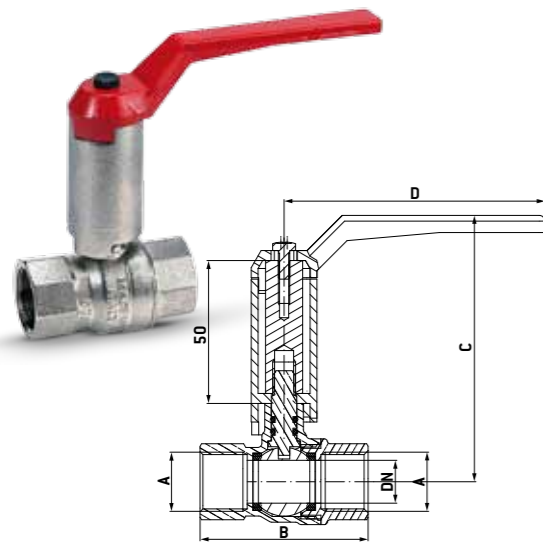
PACKAGING:

	Rp 1/2"	Rp 3/4"	Rp 1"
CODE	79570004	79570006	79570008
PIECES PER BOX	15	10	8
PIECES PER CARTON	180	120	72

7954...

MISSOURI

WATER BALL VALVES



- Water ball valve with thermal protection extension
- 1/2-2" thread. EN10226-1 (ex ISO 7/1)
- 2 1/2" to 4" thread: ISO 228
- Temperature range: -10°C to +95°C

DIMENSIONS:

DN	A	B	C	D	PN	KV*
15	Rp 1/2"	59	93	92	40	10,05
20	Rp 3/4"	68	102	92	40	21,57
25	Rp 1"	80	109	115	40	49,14
32	Rp 1.1/4"	96	119	125	30	68,65
40	Rp 1.1/2"	106	131	150	30	98,83
50	Rp 2"	130	139	150	30	177,04
65**	2".1/2	132	159	240	20	-
80**	3"	167	177	240	20	-
100**	4"	200	210	240	10	-

*PRESSURE DROP SEE CHART ON Page 52-53

**On request

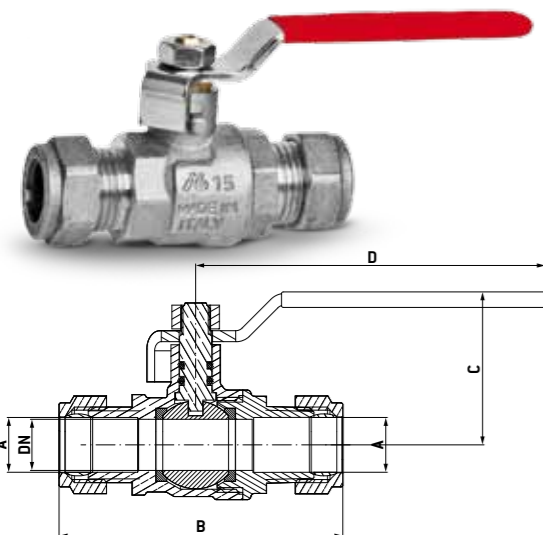
PACKAGING:

	Rp 1/2"	Rp 3/4"	Rp 1"	Rp 1.1/4"	Rp 1.1/2"	Rp 2"	2.1/2"	3"	4"
CODE	79540204	79540206	79540208	79540210	79540211	79540213	79540215	79540217	79540219
PIECES PER BOX	8	8	4	-	-	-	-	-	-
PIECES PER CARTON	80	80	40	15	10	10	2	1	1

7956...

MISSOURI

WATER BALL VALVES



- Water ball valve compression ends
- Temperature range: -10°C to +95°C

DIMENSIONS:

DN	A	B	C	D	PN
15	15	79	42	95	40
20	22	85	46	95	40
25	28	102	58	120	40

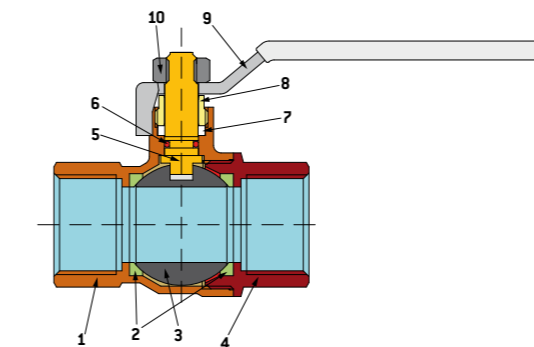
PACKAGING:

	15	22	28
CODE	79560115R	79560122R	79560128R
PIECES PER BOX	12	10	8
PIECES PER CARTON	120	100	40

7960...

MISSOURI

WATER BALL VALVES



- DZR F/F water ball valve with iron lever
- Thread: ISO 228
- Temperature range: -10°C to +120°C

This valve is particularly indicated for distributing and shutting off fluids that can cause dezincification problems. Excellent fields of application are in plant engineering for plumbing and heating, and industry. It is a full-bore valve, and ball seal is provided by two PTFE seats. Adjustable stem packing is provided by one EPDM Perox o-ring and a PTFE packing gland.

The stem is mounted from inside with a bottom-loaded system. It is advisable to perform a complete manoeuvring cycle at least once every 3 months to prevent the formation of limescale, which would affect operation.

COMPONENTS:

POSN.	PART NAME	No. Pcs.	MATERIAL
1	Body	1	CW602N UNI-EN 12165
2	Seal	2	PTFE
3	Ball	1	CW602N UNI-EN 12165 Chrome-plated
4	End connection	1	CW602N UNI-EN 12165
5	Stem	1	CW602N UNI-EN 12165
6	O-ring	1	EPDM PEROX
7	Gland packing	1	PTFE
8	Gland	1	CW617N UNI-EN 12164
9	Lever	1	Galvanised iron and PVC coated
10	Nut	1	Galvanised iron

DIMENSIONS:

DN	A	B	C	D	PN	*KV
10	3/8"	51	40	95	40	-
15	1/2"	59	42	95	40	10,05
20	3/4"	68	47	95	40	21,57
25	1"	80	58	120	40	49,14
32	1.1/4"	96	67	120	30	68,65
40	1.1/2"	106	83	150	30	98,83
50	2"	130	90	150	30	177,04

*PRESSURE DROP see chart on page 52-53

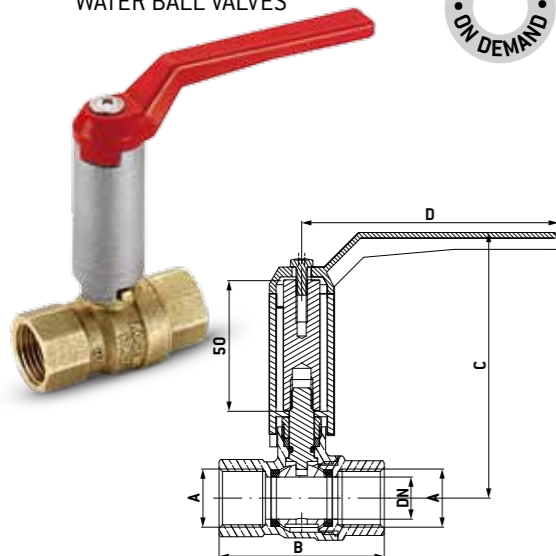
PACKAGING:

	3/8"	1/2"	3/4"	1"	1.1/4"	1.1/2"	2"
CODE	79600103W	79600104W	79600106W	79600108W	79600110W	79600111W	79600113W
PIECES PER BOX	20	15	10	8	-	-	-
PIECES PER CARTON	200	150	120	72	25	16	12

7964...

MISSOURI

WATER BALL VALVES



AVAILABLE ON DEMAND

- DZR water ball valve with thermal protection extension
- Thread: ISO 228
- Temperature range: -10°C to +120°C

DIMENSIONS:

DN	A	B	C	D	PN	KV*
15	1/2"	59	94	92	40	10,05
20	3/4"	68	103	92	40	21,57
25	1"	80	111	115	40	49,14
32	1.1/4"	96	123	115	30	68,65
40	1.1/2"	106	134	150	30	98,83
50	2"	130	139	150	30	177,04

*PRESSURE DROP SEE CHART ON Page 52-53

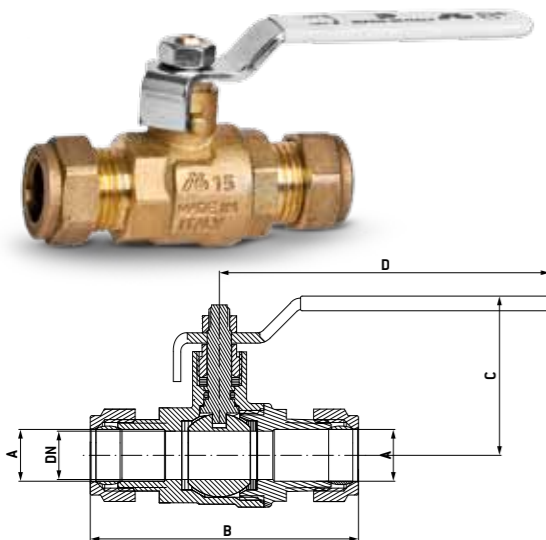
PACKAGING:

	1/2"	3/4"	1"	1.1/4"	1.1/2"	2"
CODE	79640204R	79640206R	79640208R	79640210R	79640211R	79640213R
PIECES PER BOX	8	8	4	-	-	-
PIECES PER CARTON	80	80	40	15	10	10

7966...

MISSOURI

WATER BALL VALVES



AVAILABLE ON DEMAND

- DZR water ball valve compression ends
- Temperature range: -10°C to +120°C

DIMENSIONS:

DN	A	B	C	D	PN
10	12	78	40	95	40
15	15	79	42	95	40
15	18	80	42	95	40
20	22	85	47	95	40
25	28	100	58	120	40
32	35	115	66	120	30

PACKAGING:

	12	15	18	22	28	35
CODE	79660112W	79660115W	79660118W	79660122W	79660128W	79660135W
PIECES PER BOX	12	12	12	10	8	-
PIECES PER CARTON	120	120	120	100	40	20

7600...

TAMIGI

WATER BALL VALVES



- F/F ball valve with aluminium lever
- Thread: ISO 228
- Temperature range: -10°C to +95°C

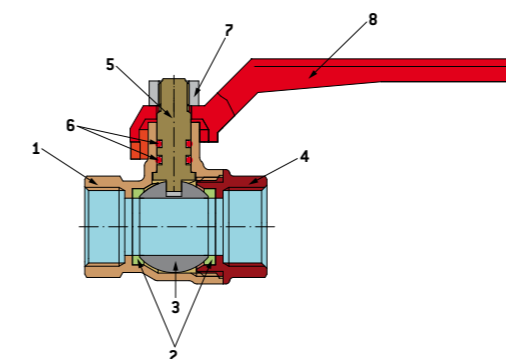
This valve is particularly indicated for distributing and shutting off generally non-corrosive fluids that are compatible with the valve materials.

Excellent fields of application are in plant engineering for plumbing and heating, industry and agriculture.

It is a full-bore valve, and ball seal is provided by two PTFE seats.

Seal of the stem is provided by two NBR O-rings with the stem mounted from inside and a bottom-loaded system.

It is advisable to perform a complete manoeuvring cycle at least once every 3 months to prevent the formation of limescale, which would affect operation.



COMPONENTS:

POSN.	PART NAME	No. Pcs.	MATERIAL
1	Body	1	CW617N UNI-EN 12165 Nickel-plated
2	Seal	2	PTFE
3	Ball	1	CW617N UNI-EN 12165 Chrome-plated
4	End connection	1	CW617N UNI-EN 12165 Nickel-plated
5	Stem	1	CW617N UNI-EN 12164
6	O-ring	2	NBR
7	Nut	1	Galvanised iron
8	Lever	1	Lacquered aluminium

DIMENSIONS:

DN	A	B	C	D	PN	KV*
8	1/4"	39	39	92	40	-
10	3/8"	39	39	92	40	-
15	1/2"	49	45	92	40	10,05
20	3/4"	55	49	92	40	24,56
25	1"	65	56	115	40	51,21
32	1.1/4"	77	69	125	30	68,65
40	1.1/2"	90	80	150	30	98,83
50	2"	104	87	150	30	177,04

*PRESSURE DROP SEE CHART ON Page 52-53

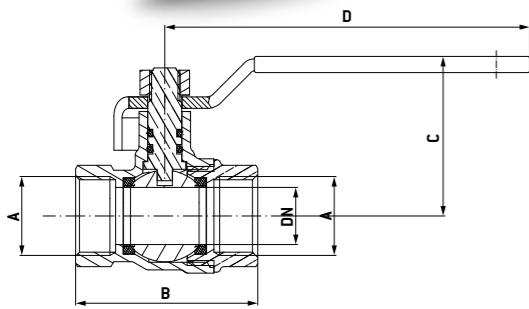
PACKAGING:

	1/4"	3/8"	1/2"	3/4"	1"	1.1/4"	1.1/2"	2"
CODE	76000202R	76000203R	76000204R	76000206R	76000208R	76000210R	76000211R	76000213R
PIECES PER BOX	25	25	20	15	10	-	-	-
PIECES PER CARTON	300	300	200	150	100	30	18	18

760001...

TAMIGI

WATER BALL VALVES



- F/F ball valve with iron lever
- Thread: ISO 228
- Temperature range: -10°C to +95°C

DIMENSIONS:

DN	A	B	C	D	PN	KV*
8	1/4"	39	36	87	40	-
10	3/8"	39	36	87	40	-
15	1/2"	49	39	87	40	10,05
20	3/4"	55	42	87	40	24,56
25	1"	65	52	120	40	51,21
32	1.1/4"	77	64	120	30	68,65
40	1.1/2"	90	80	150	30	98,83
50	2"	104	87	150	30	177,04

*PRESSURE DROP SEE CHART ON Page 52-53

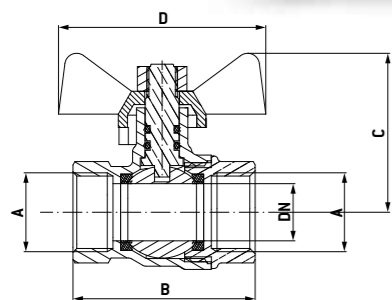
PACKAGING:

	1/4"	3/8"	1/2"	3/4"	1"	1.1/4"	1.1/2"	2"
CODE	76000102R	76000103R	76000104R	76000106R	76000108R	76000110R	76000111R	76000113R
PIECES PER BOX	25	25	20	15	10	-	-	-
PIECES PER CARTON	300	300	200	150	100	30	18	18

7602...

TAMIGI

WATER BALL VALVES



- F/F ball valve with "T" handle
- Thread: ISO 228
- Temperature range: -10°C to +95°C

DIMENSIONS:

DN	A	B	C	D	PN	KV*
8	1/4"	39	34	50	40	-
10	3/8"	39	34	50	40	-
15	1/2"	49	38	50	40	10,05
20	3/4"	55	42	50	40	24,56
25	1"	65	52	67	40	51,21

*PRESSURE DROP SEE CHART ON Page 52-53

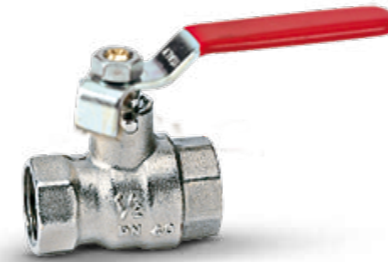
PACKAGING:

	1/4"	3/8"	1/2"	3/4"	1"
CODE	76020002R	76020003R	76020004R	76020006R	76020008R
PIECES PER BOX	25	25	20	15	10
PIECES PER CARTON	300	300	240	150	100

7611...

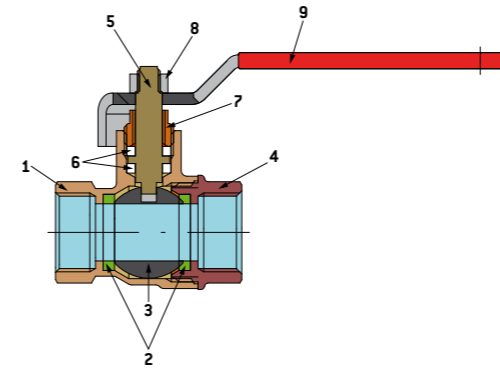
TAMIGI

WATER BALL VALVES



- F/F ball valve with iron lever
- Thread: ISO 228
- Temperature range: -10°C to +120°C with peaks up to +150°C in closed valve or open valve

This valve is particularly indicated for distributing and shutting off generally non-corrosive fluids that are compatible with the valve materials. Excellent fields of application are in plant engineering for plumbing and heating, industry and agriculture. It is a full-bore valve, and ball seal is provided by two PTFE seats. Seal of the stem is provided by two PTFE ring and an adjustable gland. It is advisable to perform a complete manoeuvring cycle at least once every 3 months to prevent the formation of limescale, which would affect operation.



COMPONENTS:

POSN.	PART NAME	No. Pcs.	MATERIAL
1	Body	1	CW617N UNI-EN 12165 Nickel-plated
2	Seal	2	PTFE
3	Ball	1	CW617N UNI-EN 12165 Chrome-plated
4	End connection	1	CW617N UNI-EN 12165 Nickel-plated
5	Stem	1	CW617N UNI-EN 12164
6	Gland packing	2	PTFE carbon filled
7	Gland	1	CW617N UNI-EN 12164
8	Nut	1	Galvanised iron
9	Lever	1	Galvanised iron and PVC coated

DIMENSIONS:

DN	A	B	C	D	PN	KV*
15	1/2"	49	49	92	40	10,05
20	3/4"	55	52	92	40	24,56
25	1"	65	60	120	40	51,21
32	1.1/4"	77	68	120	30	68,65
40	1.1/2"	90	88	150	30	98,83
50	2"	104	97	150	30	177,04

*PRESSURE DROP SEE CHART ON Page 52-53

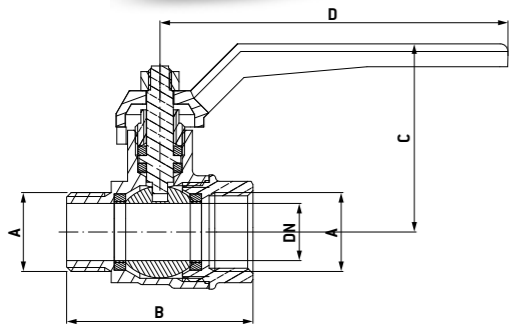
PACKAGING:

	1/2"	3/4"	1"	1.1/4"	1.1/2"	2"
CODE	76110104R	76110106R	76110108R	76110110R	76110111R	76110113R
PIECES PER BOX	20	15	10	-	-	-
PIECES PER CARTON	200	150	100	30	18	18

7605...

TAMIGI

WATER BALL VALVES



- M/F ball valve with aluminium lever
- Thread: ISO 228
- Temperature range: -10°C to +95°C

DIMENSIONS:

DN	A	B	C	D	PN	KV*
8	1/4"	42	46	90	40	-
10	3/8"	39	46	92	40	-
15	1/2"	51	51	92	40	10,05
20	3/4"	58	54	92	40	24,56
25	1"	67	63	115	40	51,21
32	1.1/4"	79	77	125	30	68,65
40	1.1/2"	92	88	150	30	98,83
50	2"	107	97	150	30	177,04

*PRESSURE DROP SEE CHART ON Page 52-53

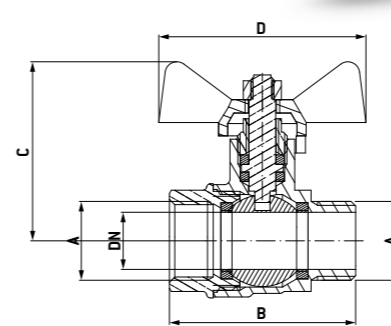
PACKAGING:

	1/4"	3/8"	1/2"	3/4"	1"	1.1/4"	1.1/2"	2"
CODE	76050202R	76050203R	76050204R	76050206R	76050208R	76050210R	76050211R	76050213R
PIECES PER BOX	30	25	20	15	10	-	-	-
PIECES PER CARTON	240	300	200	150	100	30	18	18

7607...

TAMIGI

WATER BALL VALVES



- M/F ball valve with "T" handle
- Thread: ISO 228
- Temperature range: -10°C to +95°C

DIMENSIONS:

DN	A	B	C	D	PN	KV*
10	1/4"	42	40	45	40	-
10	3/8"	39	42	50	40	-
15	1/2"	51	47	50	40	10,05
20	3/4"	58	51	50	40	24,56
25	1"	67	57	67	40	51,21

*PRESSURE DROP SEE CHART ON Page 52-53

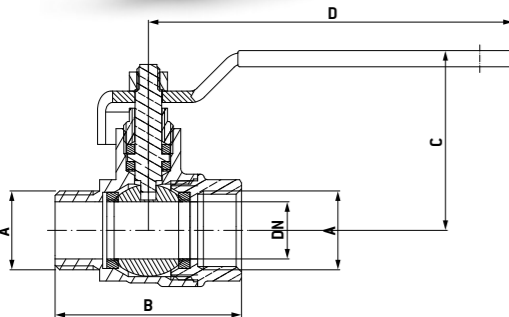
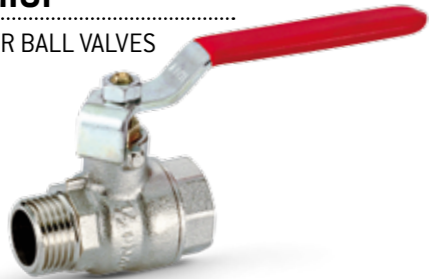
PACKAGING:

	1/4"	3/8"	1/2"	3/4"	1"
CODE	76070002R	76070003R	76070004R	76070006R	76070008R
PIECES PER BOX	40	25	20	15	10
PIECES PER CARTON	240	300	240	150	100

760501...

TAMIGI

WATER BALL VALVES



- M/F ball valve with iron lever
- Thread: ISO 228
- Temperature range: -10°C to +95°C

DIMENSIONS:

DN	A	B	C	D	PN	KV*
10	3/8"	39	43	87	40	-
15	1/2"	51	45	87	40	10,05
20	3/4"	58	47	87	40	24,56
25	1"	67	59	120	40	51,21
32	1.1/4"	79	72	120	30	68,65
40	1.1/2"	92	88	150	30	98,83
50	2"	107	97	150	30	177,04

*PRESSURE DROP SEE CHART ON Page 52-53

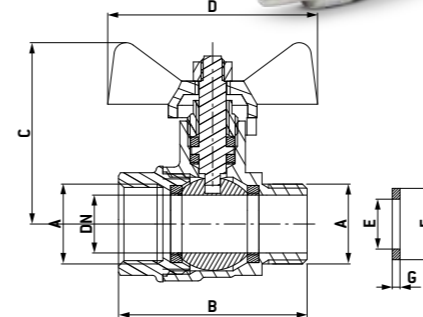
PACKAGING:

	3/8"	1/2"	3/4"	1"	1.1/4"	1.1/2"	2"
CODE	76050103R	76050104R	76050106R	76050108R	76050110R	76050111R	76050113R
PIECES PER BOX	25	20	15	10	-	-	-
PIECES PER CARTON	300	200	150	100	25	18	18

76080008R...

TAMIGI

WATER BALL VALVES



- F/male ball valve flat seat and gasket with red "T" handle
- Thread: ISO 228
- Temperature range: -10°C to +95°C

DIMENSIONS:

DN	A	B	C	D	PN	E	F	G	KV*
25	1"	67	57	67	40	21	30	2	51,21

*PRESSURE DROP SEE CHART ON Page 52-53

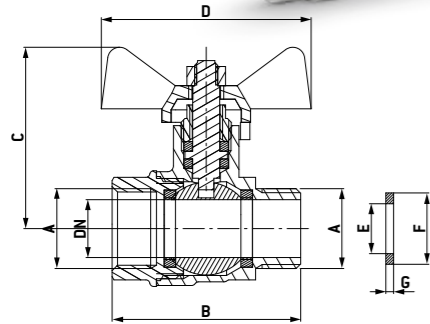
PACKAGING:

	1"
CODE	76080008R
PIECES PER BOX	10
PIECES PER CARTON	100

76080008B...

TAMIGI

WATER BALL VALVES



- F/male ball valve flat seat and gasket with blue "T" handle
- Thread: ISO 228
- Temperature range: -10°C to +95°C

DIMENSIONS:

DN	A	B	C	D	PN	E	F	G	KV*
25	1"	67	57	67	40	21	30	2	51,21

*PRESSURE DROP SEE CHART ON Page 52-53

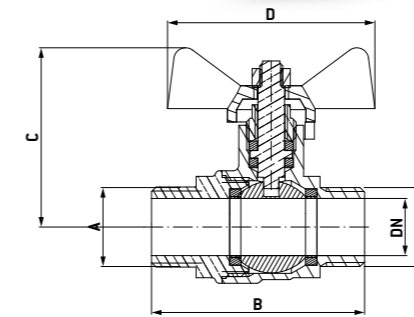
PACKAGING:

	1"
CODE	76080008B
PIECES PER BOX	10
PIECES PER CARTON	100

7647...

TAMIGI

WATER BALL VALVES



- M/M ball valve with "T" handle
- Thread: ISO 228
- Temperature range: -10°C to +95°C

DIMENSIONS:

DN	A	B	C	D	PN	KV*
10	3/8"	49	42	50	40	-
15	1/2"	59	47	50	40	10,05
20	3/4"	65	51	50	40	24,56
25	1"	76	57	67	40	51,21

*PRESSURE DROP SEE CHART ON Page 52-53

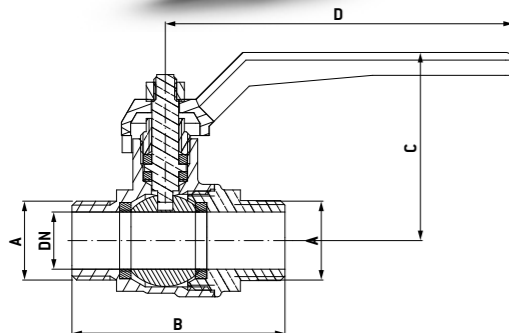
PACKAGING:

	3/8"	1/2"	3/4"	1"
CODE	76470003R	76470004R	76470006R	76470008R
PIECES PER BOX	30	20	15	10
PIECES PER CARTON	240	200	150	100

7645...

TAMIGI

WATER BALL VALVES



- M/M ball valve with aluminium lever
- Thread: ISO 228
- Temperature range: -10°C to +95°C

DIMENSIONS:

DN	A	B	C	D	PN	KV*
10	3/8"	49	46	92	40	-
15	1/2"	59	51	92	40	10,05
20	3/4"	65	54	92	40	24,56
25	1"	77	63	115	40	51,21
32	1.1/4"	87	77	125	30	68,65
40	1.1/2"	103	88	150	30	98,83
50	2"	113	97	150	30	177,04

*PRESSURE DROP SEE CHART ON Page 52-53

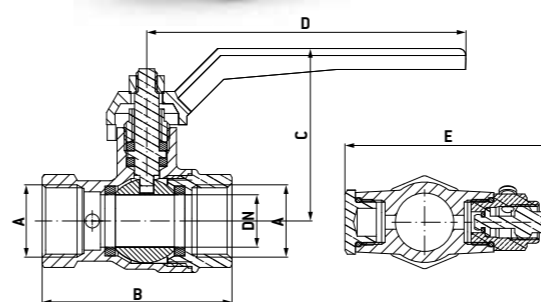
PACKAGING:

	3/8"	1/2"	3/4"	1"	1.1/4"	1.1/2"	2"
CODE	76450203R	76450204R	76450206R	76450208R	76450210R	76450211R	76450213R
PIECES PER BOX	30	20	15	10	-	-	-
PIECES PER CARTON	180	200	150	100	30	18	18

7615...

TAMIGI

WATER BALL VALVES



- F/F ball valve with drain cock and aluminium lever
- Thread: ISO 228
- Temperature range: -10°C to +95°C

DIMENSIONS:

DN	A	B	C	D	E	PN	KV*
15	1/2"	54	51	92	63	15	10,05
20	3/4"	61	54	92	70	15	24,56
25	1"	70	63	115	76	15	51,21
32	1.1/4"	82	76	125	85	15	68,65
40	1.1/2"	93	88	150	94	15	98,83
50	2"	108	97	150	103	15	177,04

*PRESSURE DROP SEE CHART ON Page 52-53

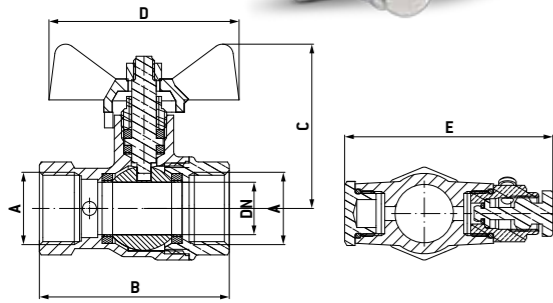
PACKAGING:

	1/2"	3/4"	1"	1.1/4"	1.1/2"	2"
CODE	76150204R	76150206R	76150208R	76150210R	76150211R	76150213R
PIECES PER BOX	10	10	8	-	-	-
PIECES PER CARTON	120	120	80	25	18	18

7617...

TAMIGI

WATER BALL VALVES



- F/F ball valve with drain cock and "T" handle
- Thread: ISO 228
- Temperature range: -10°C to +95°C

DIMENSIONS:

DN	A	B	C	D	E	PN	KV*
15	1/2"	54	47	50	63	15	10,05
20	3/4"	61	51	50	70	15	24,56
25	1"	70	57	67	76	15	51,21

*PRESSURE DROP SEE CHART ON Page 52-53

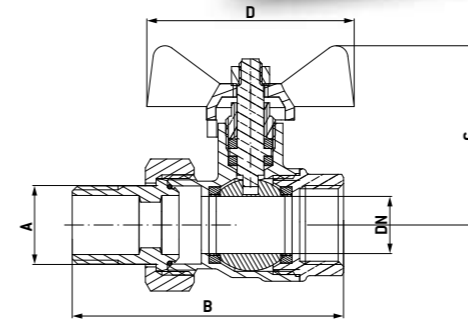
PACKAGING:

	1/2"	3/4"	1"
CODE	76170004R	76170006R	76170008R
PIECES PER BOX	10	10	8
PIECES PER CARTON	120	120	72

7650...

TAMIGI

WATER BALL VALVES



- Ball valve with connector and red "T" handle
- Thread: ISO 228
- Temperature range: -10°C to +95°C

DIMENSIONS:

DN	A	B	C	D	PN
15	1/2"	69	47	50	40
20	3/4"	81	51	50	40
25	1"	88	57	67	40
32	1.1/4"	110	59	70	30

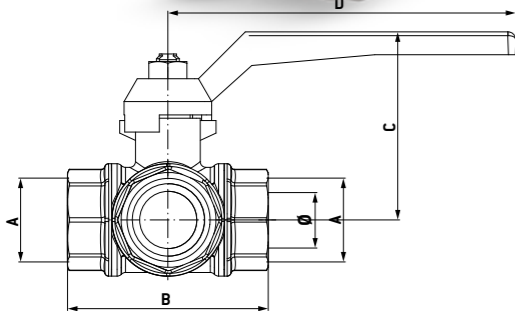
PACKAGING:

	1/2"	3/4"	1"	1.1/4"
CODE	76500004R	76500006R	76500008R	76500010R
PIECES PER BOX	15	10	6	6
PIECES PER CARTON	180	100	72	30

7620...

MISSISSIPI

WATER BALL VALVES



- T/L 3-way ball valve
- Thread: ISO 228
- Version T code 762040
- Version L code 762041

DIMENSIONS:

DN	A	B	C	D	Ø	PN
8	1/4"	77	52	115	10	40
10	3/8"	77	52	115	10	40
15	1/2"	82	52	115	10	40
20	3/4"	91	56	115	15	40
25	1"	106	64	150	20	40
32	1.1/4"	121	68	150	25	40
40	1.1/2"	141	94	240	32	40
50	2"	165	104	240	40	40

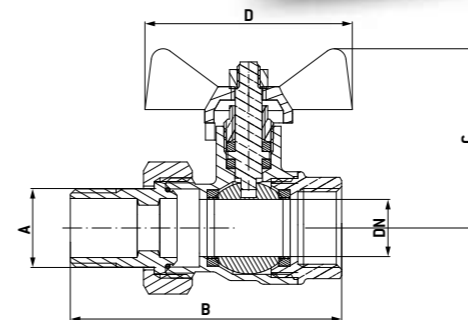
PACKAGING:

	1/4"	3/8"	1/2"	3/4"	1"	1.1/4"	1.1/2"	2"
CODE TYPE T	76204002	76204003	76204004	76204006	76204008	76204010	76204011	76204013
CODE TYPE L	76204102	76204103	76204104	76204106	76204108	76204110	76204111	76204113
PIECES PER BOX	6	6	6	5	4	3	-	-
PIECES PER CARTON	36	36	36	30	16	12	6	5

7650B...

TAMIGI

WATER BALL VALVES



- Ball valve with connector and blue "T" handle
- Thread: ISO 228
- Temperature range: -10°C to +95°C

DIMENSIONS:

DN	A	B	C	D	PN
15	1/2"	69	47	50	40
20	3/4"	81	51	50	40
25	1"	88	57	67	40
32	1.1/4"	110	59	70	30

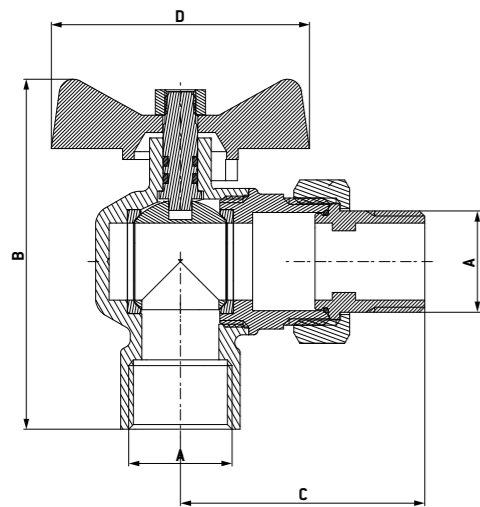
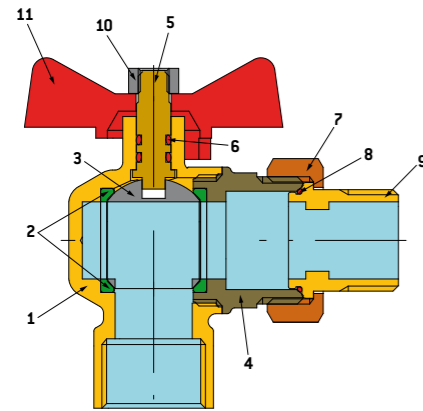
PACKAGING:

	1/2"	3/4"	1"	1.1/4"
CODE	76500004B	76500006B	76500008B	76500010B
PIECES PER BOX	15	10	6	6
PIECES PER CARTON	180	100	72	30

7660R...

TAMIGI

WATER BALL VALVES



- M/F angle ball valve with connector and red "T" handle
- Thread: ISO 228
- Temperature range: - 10° C to + 95° C

The valve is particularly indicated for distributing and shutting off generally non-corrosive fluids which are compatible with the valve materials. Excellent fields of application are in plant engineering for plumbing and heating, industry and agriculture. It is full-bore valve, and ball seal is provided by two PTFE seats. Seal of the stem is provided by two NBR O-rings with the stem mounted from inside and a bottom-loaded system. It is advisable to perform a complete manoeuvring cycle at least once every 3 months to prevent the formation of limescale, which would affect operation.

COMPONENTS:

POSN.	PART NAME	No. Pcs.	MATERIAL
1	Body	1	CW617N UNI-EN 12165 Chromed
2	Seal	2	PTFE
3	Ball	1	CW617N UNI-EN 12165 Chromed
4	End connection	1	CW617N UNI-EN 12165 Nickel-plated
5	Stem	1	CW617N UNI-EN 12164
6	O-ring	2	NBR
7	Nut	1	CW617N UNI-EN 12165 Nickel-plated
8	O-ring	1	NBR
9	Connector	1	CW617N UNI-EN 12165 Nickel-plated
10	Nut	1	Galvanised iron
11	"T" handle	1	Lacquered aluminium

DIMENSIONS:

DN	A	B	C	D	PN
20	3/4"	91	64	67	40
25	1"	103	71	67	40

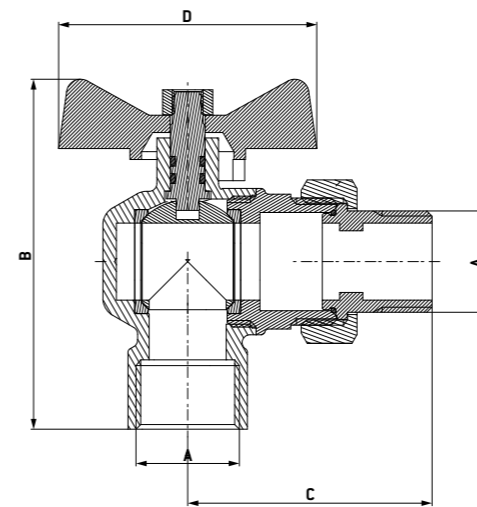
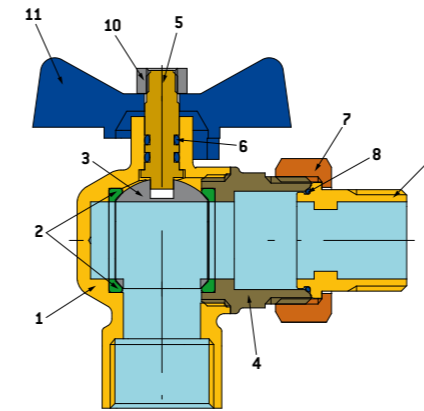
PACKAGING:

	3/4"	1"
CODE	76600006R	76600008R
PIECES PER BOX	8	6
PIECES PER CARTON	40	30

7660B...

TAMIGI

WATER BALL VALVES



- M/F angle ball valve with connector and blue "T" handle
- Thread: ISO 228
- Temperature range: - 10° C to + 95° C

The valve is particularly indicated for distributing and shutting off generally non-corrosive fluids which are compatible with the valve materials. Excellent fields of application are in plant engineering for plumbing and heating, industry and agriculture. It is full-bore valve, and ball seal is provided by two PTFE seats. Seal of the stem is provided by two NBR O-rings with the stem mounted from inside and a bottom-loaded system. It is advisable to perform a complete manoeuvring cycle at least once every 3 months to prevent the formation of limescale, which would affect operation.

COMPONENTS:

POSN.	PART NAME	No. Pcs.	MATERIAL
1	Body	1	CW617N UNI-EN 12165 Chromed
2	Seal	2	PTFE
3	Ball	1	CW617N UNI-EN 12165 Chromed
4	End connection	1	CW617N UNI-EN 12165 Nickel-plated
5	Stem	1	CW617N UNI-EN 12164
6	O-ring	2	NBR
7	Nut	1	CW617N UNI-EN 12165 Nickel-plated
8	O-ring	1	NBR
9	Connector	1	CW617N UNI-EN 12165 Nickel-plated
10	Nut	1	Galvanised iron
11	"T" handle	1	Lacquered aluminium

DIMENSIONS:

DN	A	B	C	D	PN
20	3/4"	91	64	67	40
25	1"	103	71	67	40

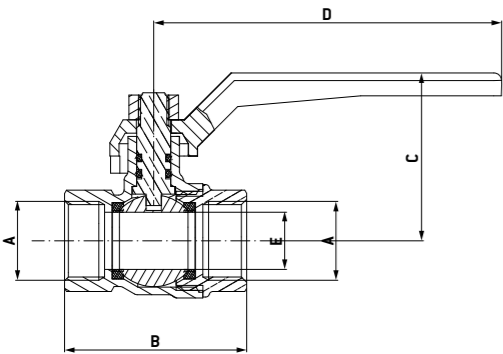
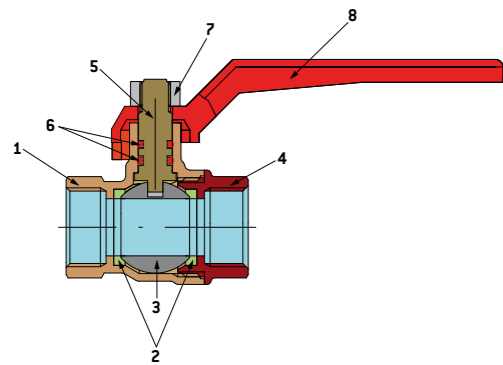
PACKAGING:

	3/4"	1"
CODE	76600006B	76600008B
PIECES PER BOX	8	6
PIECES PER CARTON	40	30

775002...

DANUBIO

WATER BALL VALVES



- F/F ball valve with aluminium lever
- Thread: ISO 228
- Temperature range: -10°C to +95°C

This valve is particularly indicated for distributing and shutting off generally non-corrosive fluids that are compatible with the valve materials.

Excellent fields of application are in plant engineering for plumbing and heating, industry and agriculture.

It is a standard-flow valve, and ball seal is provided by two PTFE seats. Seal of the stem is provided by two NBR O-rings with the stem mounted from inside and a bottom-loaded system.

It is advisable to perform a complete manoeuvring cycle at least once every 3 months to prevent the formation of limescale, which would affect operation.

COMPONENTS:

POSN.	PART NAME	No. Pcs.	MATERIAL
1	Body	1	CW617N UNI-EN 12165 Chrome-plated
2	Seal	2	PTFE
3	Ball	1	CW617N UNI-EN 12165 Chrome-plated
4	End connection	1	CW617N UNI-EN 12165 Nickel-plated
5	Stem	1	CW617N UNI-EN 12164
6	O-ring	2	NBR
7	Nut	1	Galvanised iron
8	Lever	1	Lacquered aluminium

DIMENSIONS:

DN	A	B	C	D	E	PN
15	1/2"	45	44	92	14	40
20	3/4"	51	47	92	18	40
25	1"	62	52	92	22,5	40

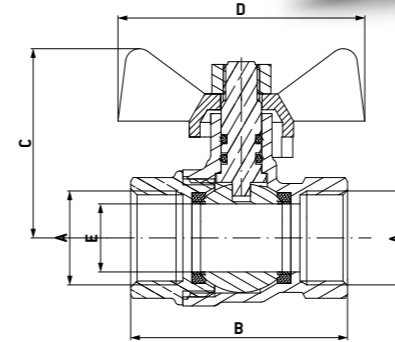
PACKAGING:

	1/2"	3/4"	1"
CODE	77500204R	77500206R	77500208R
PIECES PER BOX	25	20	10
PIECES PER CARTON	250	200	120

775000...

DANUBIO

WATER BALL VALVES



- F/F ball valve with "T" handle
- Thread: ISO 228
- Temperature range: -10°C to +95°C

DIMENSIONS:

DN	A	B	C	D	E	PN
15	1/2"	45	37	50	14	40
20	3/4"	51	40	50	18	40
25	1"	62	48	67	22,5	40

PACKAGING:

	1/2"	3/4"	1"
CODE	77500004R	77500006R	77500008R
PIECES PER BOX	25	20	10
PIECES PER CARTON	250	200	120

7700...

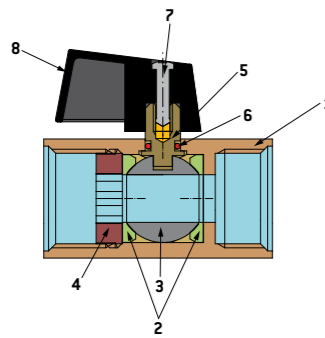
NIAGARA

WATER BALL VALVES



- F/F Mini-ball with lever
- Thread: ISO 228
- Nominal pressure: max 10 bar
- Temperature range: -10°C to +90°C

This valve is particularly indicated for distributing and shutting off generally non-corrosive fluids that are compatible with the valve materials. Excellent fields of application are in plant engineering for plumbing, heating, pneumatic and industry, when it is necessary to have a shut-off element with reduced dimensions. It is a reduced-bore valve, and ball seal is provided by two PTFE seats. Seal of the stem is provided by an NBR O-ring with the stem mounted from inside and a bottom-loaded system. It is advisable to perform a complete manoeuvring cycle at least once every 3 months to prevent the formation of limescale, which would affect operation.

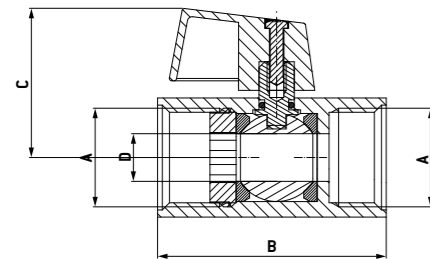


COMPONENTS:

POSN.	PART NAME	No. Pcs.	MATERIAL
1	Body	1	CW617N UNI-EN 12164 Chrome-plated
2	Seal	2	PTFE
3	Ball	1	CW617N UNI-EN 12164 Nickel-plated
4	Ring	1	CW617N UNI-EN 12164
5	Stem	1	CW617N UNI-EN 12164 Nickel-plated
6	O-ring	1	NBR
7	Screw	1	CIR UNI 947-72
8	Black plastic lever	1	Glass-filled nylon 66

DIMENSIONS:

DN	A	B	C	D	PN
8	1/4"	39	27	8	10
10	3/8"	42	27	8	10
15	1/2"	47	29	10	10
20	3/4"	54	32	12	10



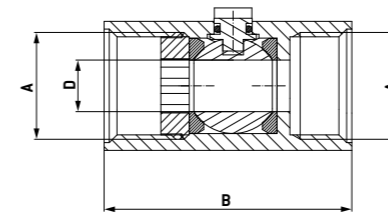
PACKAGING:

	1/4"	3/8"	1/2"	3/4"
CODE	77000002	77000003	77000004	77000006
PIECES PER BOX	30	30	20	15
PIECES PER CARTON	300	300	200	150

7710...

NIAGARA

WATER BALL VALVES



- F/F mini-ball with screwdriver slot
- Thread: ISO 228
- Temperature range: -10°C to +90°C

DIMENSIONS:

DN	A	B	D	PN
8	1/4"	39	8	10
10	3/8"	42	8	10
15	1/2"	47	10	10
20	3/4"	54	12	10

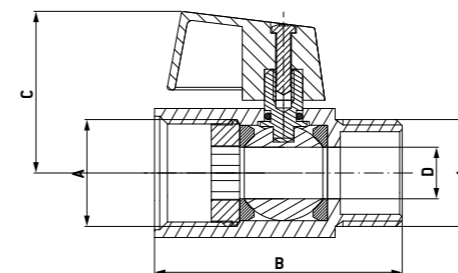
PACKAGING:

	1/4"	3/8"	1/2"	3/4"
CODE	77100002	77100003	77100004	77100006
PIECES PER BOX	30	30	20	15
PIECES PER CARTON	300	300	200	150

7720...

NIAGARA

WATER BALL VALVES



- M/F mini-ball with lever
- Thread: ISO 228
- Temperature range: -10°C to +90°C

DIMENSIONS:

DN	A	B	C	D	PN
8	1/4"	39	27	8	10
10	3/8"	40	27	9	10
15	1/2"	45	29	10	10
20	3/4"	51	32	12	10

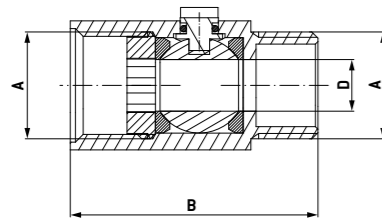
PACKAGING:

	1/4"	3/8"	1/2"	3/4"
CODE	77200002	77200003	77200004	77200006
PIECES PER BOX	30	30	25	15
PIECES PER CARTON	300	300	250	150

7730...

NIAGARA

WATER BALL VALVES



- M/F mini-ball with screwdriver slot
- Thread: ISO 228
- Temperature range: -10°C to +90°C

DIMENSIONS:

DN	A	B	D	PN
8	1/4"	39	8	10
10	3/8"	40	8	10
15	1/2"	45	10	10
20	3/4"	51	12	10

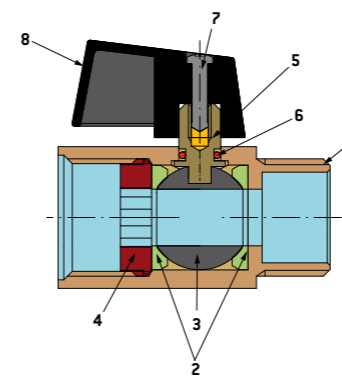
PACKAGING:

	1/4"	3/8"	1/2"	3/4"
CODE	77300002	77300003	77300004	77300006
PIECES PER BOX	30	30	25	15
PIECES PER CARTON	300	300	250	150

7735...

MINI-BALL DZR

WATER BALL VALVES



- M/F mini-ball - DZR with lever
- Thread: ISO 228
- Nominal pressure: max 10 bar
- Temperature range: -10°C to +90°C

This valve is particularly indicated for distributing and shutting off fluids that can cause dezincification problems.

Excellent fields of application are in plant engineering for plumbing, heating, pneumatic and industry, when it is necessary to have a shut-off element with reduced dimensions.

It is a reduced-bore valve, and ball seal is provided by two PTFE seats.

Seal of the stem is provided by an NBR O-ring with the stem mounted from inside and a bottom-loaded system.

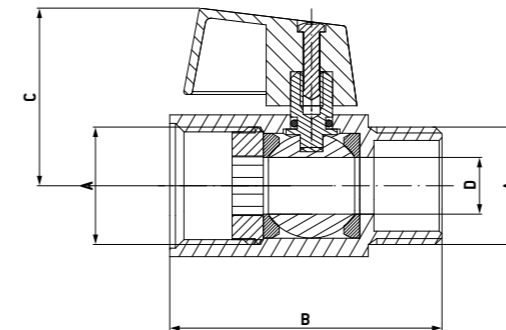
It is advisable to perform a complete manoeuvring cycle at least once every 3 months to prevent the formation of limescale, which would affect operation.

COMPONENTS:

POSN.	PART NAME	No. Pcs.	MATERIAL
1	Body	1	CW602N UNI-EN 12165 Chrome-plated
2	Seal	2	PTFE
3	Ball	1	CW602N UNI-EN 12165 Nickel-plated
4	Ring	1	CW602N UNI-EN 12165
5	Stem	1	CW602N UNI-EN 12165 Nickel-plated
6	O-ring	1	NBR
7	Screw	1	CIR UNI 947-72
8	Black plastic lever	1	Glass- charged nylon 66

DIMENSIONS:

DN	A	B	C	D	PN
10	3/8"	40	27	8	10
15	1/2"	45	29	10	10



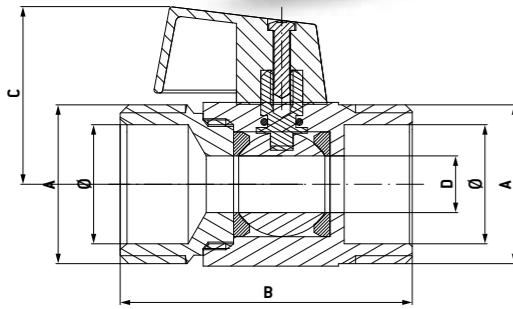
PACKAGING:

	3/8"	1/2"
CODE	77350003	77350004
PIECES PER BOX	5	5
PIECES PER CARTON	100	100

7736...

MINI-BALL DZR

WATER BALL VALVES



DIMENSIONS:

DN	A	Ø	B	C	D	PN
15	1/2"	15	44	28	10	10

PACKAGING:

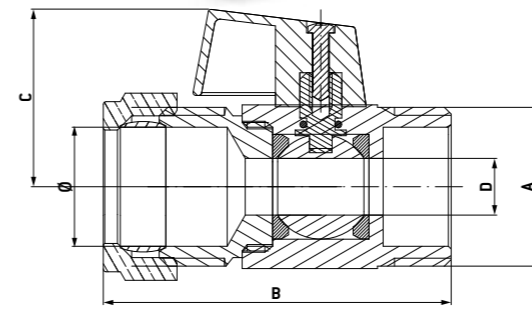
	1/2"
CODE	77360004
PIECES PER BOX	5
PIECES PER CARTON	100

- M/M mini-ball - DZR with lever
- Thread: ISO 228
- Temperature range: -10°C to +90°C

7738...

MINI-BALL DZR

WATER BALL VALVES



DIMENSIONS:

DN	A	Ø	B	C	D	PN
15	1/2"	15	51	28	10	10

PACKAGING:

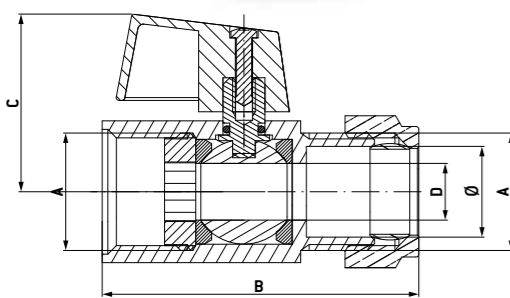
	1/2"
CODE	77381504
PIECES PER BOX	5
PIECES PER CARTON	100

- M mini-ball with compression end - DZR with lever
- Thread: ISO 228
- Temperature range: -10°C to +90°C

7737...

MINI-BALL DZR

WATER BALL VALVES



DIMENSIONS:

DN	A	Ø	B	C	D	PN
15	1/2"	12	53	29	10	10
15	1/2"	15	53	29	10	10

PACKAGING:

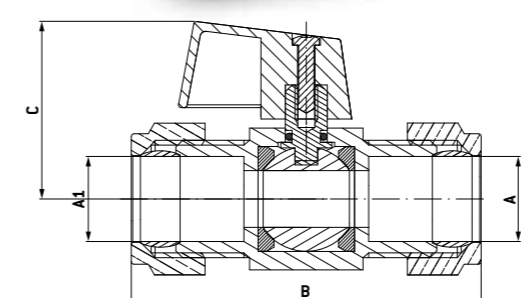
	1/2" - Ø 12	1/2" - Ø 15
CODE	77371204	77371504
PIECES PER BOX	5	5
PIECES PER CARTON	100	100

- F mini-ball with compression end - DZR with lever
- Thread: ISO 228
- Temperature range: -10°C to +90°C

7739...

MINI-BALL DZR

WATER BALL VALVES



DIMENSIONS:

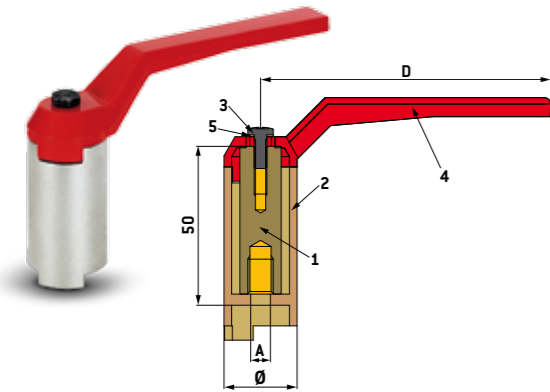
	A	A1	B	C	PN
	10	10	59	28	10
	12	10	58	28	10
	12	12	58	28	10
	15	10	58	28	10
	15	12	61	28	10
	15	15	61	28	10

PACKAGING:

	10 - Ø 10	12 - Ø 10	12 - Ø 12	15 - Ø 10	15 - Ø 12	15 - Ø 15
CODE	77391010	77391210	77391212	77391510	77391512	77391515
PIECES PER BOX	5	5	5	5	5	5
PIECES PER CARTON	100	100	100	100	100	100

- Mini-ball with compression ends - DZR with lever
- Temperature range: -10°C to +90°C

EXTENSION



- Nickel-plated extension for water ball valve

COMPONENTS:

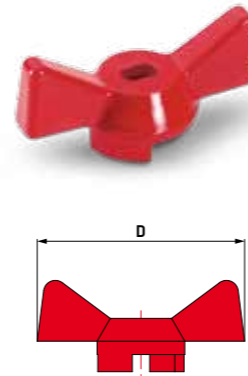
POSN.	PART NAME	No. Pcs.	MATERIAL
1	Tie rod	1	CW617N UNI-EN 12164
2	Extension	1	CW617N UNI-EN 12165 Nickel-plated
3	Screw	1	Galvanised iron
4	Lever	1	Aluminium
5	Washer	1	Galvanised iron

DIMENSIONS:

SIZE	Ø=23 A=4-M6 D=92	Ø=23 A=6-M8 D=92	Ø=30 A=6-M8 D=115	Ø=36 A=8-M12 D=150	Ø=51 A=14x16 M12 D=240
ACCESSORY CODE	26001133	26001134	26001135	26001136	26001137
7600	1/2" - 3/4"	-	1"	1".1/4" - 1".1/2 - 2"	-
7605	1/2" - 3/4"	-	1"	1".1/4" - 1".1/2 - 2"	-
7615	1/2" - 3/4"	-	1"	1".1/4" - 1".1/2 - 2"	-
7645	1/2" - 3/4"	-	1"	1".1/4" - 1".1/2 - 2"	-
7951	3/8" - 1/2**	1/2**	3/4" - 1"	1".1/4" - 1".1/2 - 2"	2".1/2 - 3" - 4"
7956	-	15 - 22	28	-	-
7957	1/2**	1/2**	3/4" - 1"	1".1/4" - 1".1/2 - 2"	-
7960	-	3/8" - 1/2" - 3/4"	1" - 1".1/4"	1".1/2 - 2"	-
7966	-	12 - 15 - 18 - 22	28 - 35	-	-

*New model with slot 6 M8 and old model with slot 4 M6

RED "T" HANDLE

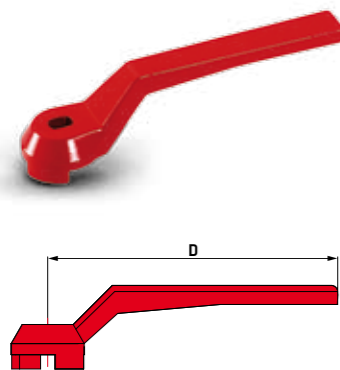


- "T" aluminium handle for water ball valve

DIMENSIONS:

SIZE	D=50 HOLE 4	D=50 HOLE 6	D=67 HOLE 6
ACCESSORY CODE	76500002R401	79530004R400	76500006R401
7602	1/4" - 3/8" - 1/2" - 3/4"	-	1"
7607	3/8" - 1/2" - 3/4"	-	1"
7617	1/2" - 3/4"	-	1"
7647	1/2" - 3/4"	-	1"
7650	1/2" - 3/4"	-	1" - 1".1/4
7750	1/2" - 3/4"	1"	-
7953	3/8"	1/2"	3/4" - 1"
7957	-	1/2"	3/4" - 1"

RED ALUMINIUM LEVER

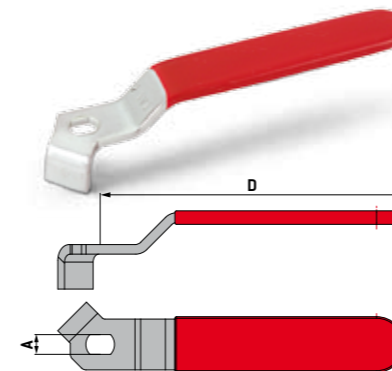


- Aluminium lever for water ball valve

DIMENSIONS:

SIZE	D=92 HOLE 4	D=92 HOLE 6	D=115 HOLE 6	D=125 HOLE 8	D=150 HOLE 8	D=240 HOLE 13.8x15.8
ACCESSORY CODE	76010204R490	79510204R490	76000208R491	78000210R491	76000210R491	76400215R490
7600	1/4" - 3/8" - 1/2" - 3/4"	-	1"	1".1/4	1".1/2 - 2"	-
7605	3/8" - 1/2" - 3/4"	-	1"	1".1/4	1".1/2 - 2"	-
7615	1/2" - 3/4"	-	1"	1".1/4	1".1/2 - 2"	-
7645	1/2" - 3/4"	-	1"	1".1/4	1".1/2 - 2"	-
7750	1/2" - 3/4"	1"	-	-	-	-
7951	3/8"	1/2"	3/4" - 1"	1".1/4	1".1/2 - 2"	2".1/2 - 3" - 4"
7957	-	1/2"	3/4" - 1"	1".1/4	1".1/2 - 2"	-
7956	-	15 - 22	28	-	-	-

RED IRON LEVER

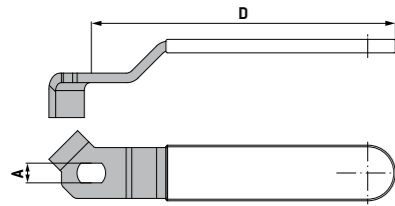


- Lever galvanized iron and red PVC coated

DIMENSIONS:

SIZE	D=87 HOLE 4	D=95 HOLE 6	D=120 HOLE 6	D=120 HOLE 8	D=150 HOLE 8
ACCESSORY CODE	79510103R490	79510104R490	79510108R490	79510110R490	79510111R490
7600	1/4" - 3/8" - 1/2" - 3/4"	-	1"	1".1/4	1".1/2 - 2"
7605	3/8" - 1/2" - 3/4"	-	1"	1".1/4	1".1/2 - 2"
7611	1/2" - 3/4"	-	1"	1".1/4	1".1/2 - 2"
7615	1/2" - 3/4"	-	1"	1".1/4	1".1/2 - 2"
7645	1/2" - 3/4"	-	1"	1".1/4	1".1/2 - 2"
7750	1/2" - 3/4"	1"	-	-	-
7951	3/8"	1/2" - 3/4"	1"	1".1/4	1".1/2 - 2"
7956	-	15 - 22	28	-	-
7957	-	1/2" - 3/4"	1"	1".1/4	1".1/2 - 2"

WHITE IRON LEVER

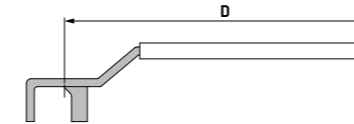


- Lever galvanized iron and white PVC coated

DIMENSIONS:

SIZE	D=95 HOLE 6	D=120 HOLE 6	D=150 HOLE 8
ACCESSORY CODE	79510104W490	79510108W490	79510111W490
7960	3/8" - 1/2" - 3/4"	1" - 1.1/4"	1.1/2" - 2"
7966	12 - 15 - 18 - 22	28 - 35	-

WHITE IRON LEVER

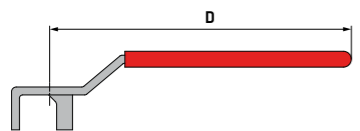


- Lever galvanized iron and white PVC coated
- PRODUCTION ORDER - AVAILABLE UNTIL STOCKS

DIMENSIONS:

SIZE	D=95 HOLE 6	D=120 HOLE 6	D=120 HOLE 8	D=150 HOLE 8
ACCESSORY CODE	79600106W490	79600108W490	79600110W490	79600111W490
7960	3/8" - 1/2" - 3/4"	1"	1.1/4"	1.1/2" - 2"
7966	12 - 15 - 18 - 22	28	35	-

RED IRON LEVER

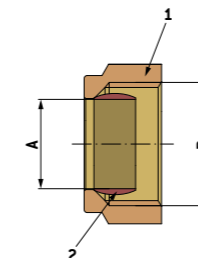


- Lever galvanized iron and red PVC coated
- PRODUCTION ORDER - AVAILABLE UNTIL STOCKS

DIMENSIONS:

MIS.	D=95 HOLE 4	D=95 HOLE 6	D=120 HOLE 6	D=120 HOLE 8	D=150 HOLE 8	D=200 HOLE 13.8x15.8	D=280 HOLE 13.8x15.8
ACCESSORY CODE	76000104R491	76000106R491	76000108R491	76000110R491	76000111R491	76000115R491	76400119R491
7600	1/4" - 3/8" - 1/2" - 3/4"	-	1"	1.1/4"	1.1/2" - 2"	-	-
7605	3/8" - 1/2" - 3/4"	-	1"	1.1/4"	1.1/2" - 2"	-	-
7611	1/2" - 3/4"	-	1"	1.1/4"	1.1/2" - 2"	-	-
7615	1/2" - 3/4"	-	1"	1.1/4"	1.1/2" - 2"	-	-
7645	1/2" - 3/4"	-	1"	1.1/4"	1.1/2" - 2"	-	-
7951	3/8"	1/2" - 3/4"	1"	1.1/4"	1.1/2" - 2"	2".1/2" - 3"	4"
7956	-	15 - 22	28	-	-	-	-
7957	-	1/2" - 3/4"	1"	1.1/4"	1.1/2" - 2"	-	-

NUT AND OLIVE



- Nut and olive for 7956 and 7966

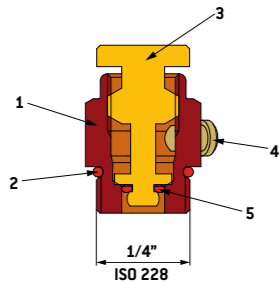
COMPONENTS:

POSN.	PART NAME	No. Pcs.	MATERIAL
1	Nut	1	CW617N UNI-EN 12165
2	Olive	1	CW508L UNI EN 12449

DIMENSIONS:

ACCESSORY CODE	NICKEL-PLATED NUT			YELLOW NUT			
	R	A	PRICE	R	A	PRICE	
79560015XA	1/2"	15	1,00	79660012XA	3/8"	12	1,03
79560022XA	Ø 28.5x14 FIL.	22	1,43	79660015XA	1/2"	15	0,98
79560028XA	Ø 35x14 FIL.	28	2,38	79660018XA	W. 15/16X14 FIL.	18	1,75
				79660022XA	Ø 28.5x14 FIL.	22	1,40
				79660028XA	Ø 35x14 FIL.	28	2,30
				79660035XA	W. 42.06x14 FIL.	35	4,65

DRAIN COCK



- Drain cock with O-ring for water ball valve
- Finish: nickel-plated

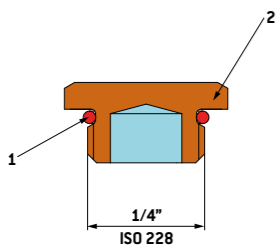
COMPONENTS:

POSN.	PART NAME	No. Pcs.	MATERIAL
1	Relief valve body	1	CW617N UNI-EN 12164 Nickel-plated
2	Body O-ring	1	NBR
3	Stem	1	CW617N UNI-EN 12164 Nickel-plated
4	Relief nozzle	1	CW617N UNI-EN 12164 Nickel-plated
5	Stem O-ring	1	NBR

DIMENSIONS:

SIZE	1/4"
ACCESSORY CODE	39911102

CAP WITH O-RING



- Cap with O-ring for 7615 water ball valve
- Finish: nickel-plated

COMPONENTS:

POSN.	PART NAME	No. Pcs.	MATERIAL
1	Body	1	CW617N UNI-EN 12164 Nickel-plated
2	O-ring	1	NBR

DIMENSIONS:

SIZE	1/4"
ACCESSORY CODE	33001102XA

BALL VALVE INSTALLATION, USAGE AND MAINTENANCE INSTRUCTIONS

1. Introduction

The ball valve is an organ for fluids' interception made up by:

- **Body or casting:** it constitutes the external part of the valve; internally it has two shaped connections to link the valve to the piping system;
- **Ball:** it is the actual organ of interception; the sealing is obtained through the compression of two gaskets, made of a deformable material, against the ball itself;
- **Spindle:** it is the existent link between the ball and the valve manoeuvring part;
- **Manoeuvring part:** it is the system through which the valve is manoeuvred; this system, most commonly a lever, can be on demand supplied in different shapes;
- **Connections:** these can be male or female threaded, with soldering or compression ends.

2. Assembling

Idrosanitaria Bonomi valves are bidirectional, they allow flows from both directions and in any position.

The valve must be installed, having the ball on the opened position, when the system is not working and after having checked that piping are not under pressure and at room temperature.

System fixing is set through the valve body threaded connections. The two threaded connections are produced according to international regulations, thereby matching fittings and pipes need to be made by the same regulations too. In order to facilitate connections' sealing, on the pipes' thread, some appropriate sealing products can be used (ex: Teflon tape, hemp, etc.).

Sealing products use must be limited to the threaded area, the excess can interfere with the closing of ball-gasket, jeopardizing the seal and generating tension on the valve.

During assembling it is suggested to tighten up the piping by blocking the valve with an appropriate spanner in the hexagonal/octagonal base, placed on the external part on the same thread where the pipe is connected. It is besides suggested not to exceed in the tightening action in order not to create tensions on the valve. Make sure that pipes are correctly aligned. Upstream and downstream pipes need to be appropriately connected to the valve in order not to generate tensions on the valve, during and after assembling.

After assembling, a system accurate wash with **open valve** is advisable, allowing remains removal, without the latter damaging the ball or the gaskets.

For a proper use it is advised to open/close the valve slowly, avoiding water hammers from occurring. It is besides advisable to use proper pressure limit control devices to help reducing water hammers' occurrence.

It is suggested to place an impurities collector filter upstream to the valve.

3. Usage

The fluid going through the valve needs to be compatible with the valve construction materials.

Pressure and temperature conditions are also defined in provided technical specifications.

We highly recommend valve usage on completely open or closed position (not on partial opening/closing and not closed for a long time), as to avoid seal damages.

The ball valve opens by rotating the handle of 90° anticlockwise and closes by rotating the handle by 90° clockwise.

The handle direction indicates whether the valve is open or closed. If the handle is aligned with the valve, the same is open, whilst when perpendicular it is closed.

4. Disassembling

When disassembling the valve from the system/piping it is highly recommended to:

- Wear appropriate coveralls according to the fluid contained in the system;
- Depressurize the system and operate as follows:
 - Place the valve in the open position and empty the system
 - Manoeuvre the valve to unload pressure;
- Apply the spanner to the end of the closest valve to the pipe. Once the valve is disassembled it is not suggested to reuse it.

5. Maintenance

Usually, ball valves are not required any kind of maintenance; however, a periodical check is suggested in order to ensure its correct functioning.

If the valve is working under extreme conditions, it is recommended to check it more frequently.

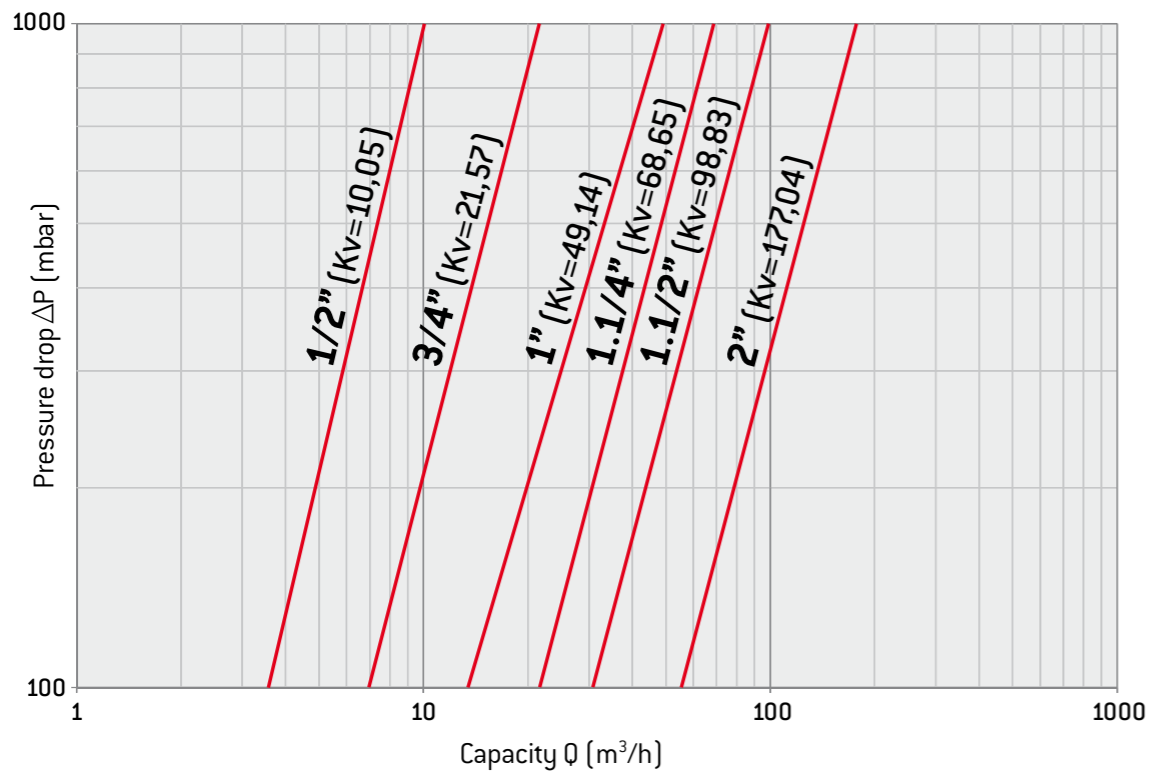
It is suggested to carry out a complete manoeuvre cycle once every 3 months to prevent scale from forming and preventing the valve from properly functioning.

7951...

PRESSURE DROP CHART

VALID ALSO FOR 7953 - 7954 - 7960 - 7964
795101 - 795702 - 795701 - 7957 - 1300 - 1305

It is defined Kv the flow in m³/h of water at temperature of 15,5°C that causes a pressure drop of 1 bar: bigger is its value, less are the pressure drops.

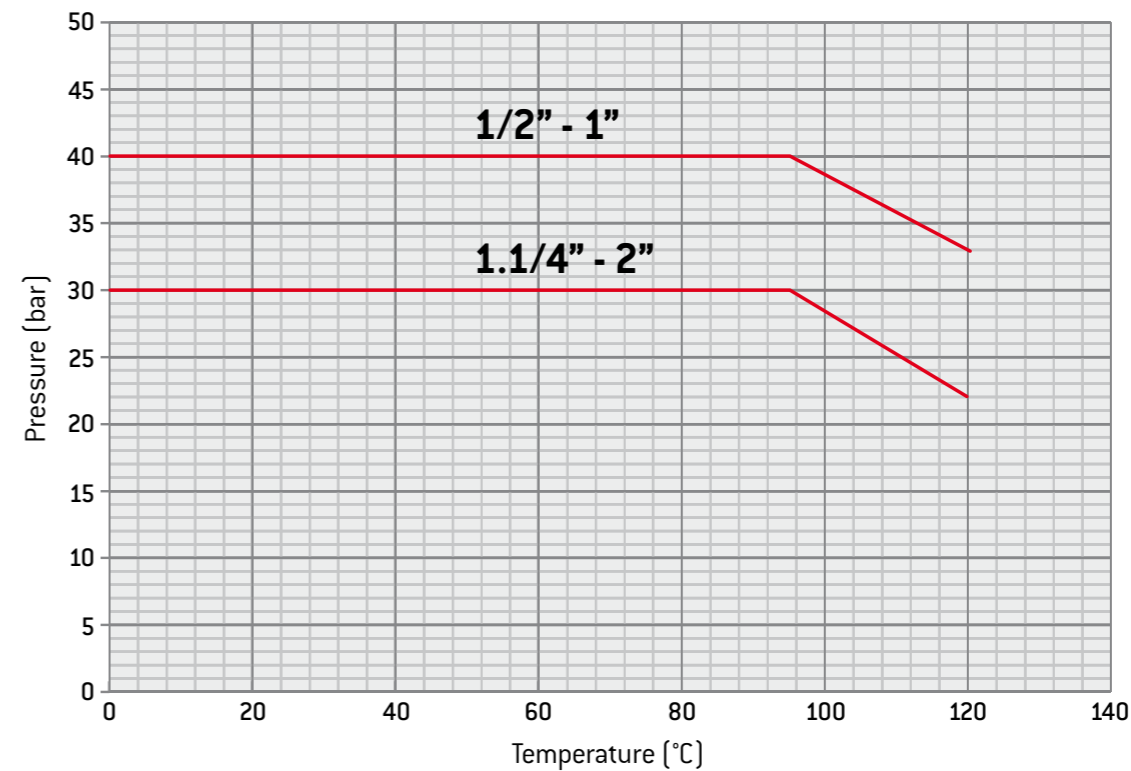


7960...

PRESSURE/TEMPERATURE CHART

VALID ALSO FOR 7964 - 7966 - 7611

The diagram pressure temperature represents the limit of valve's application, the graphics have to be considered approximate, since the variables which occur during the utilization of the same (manouvre cycles, periodical or sudden alterations of pressure and temperature, fluid used).

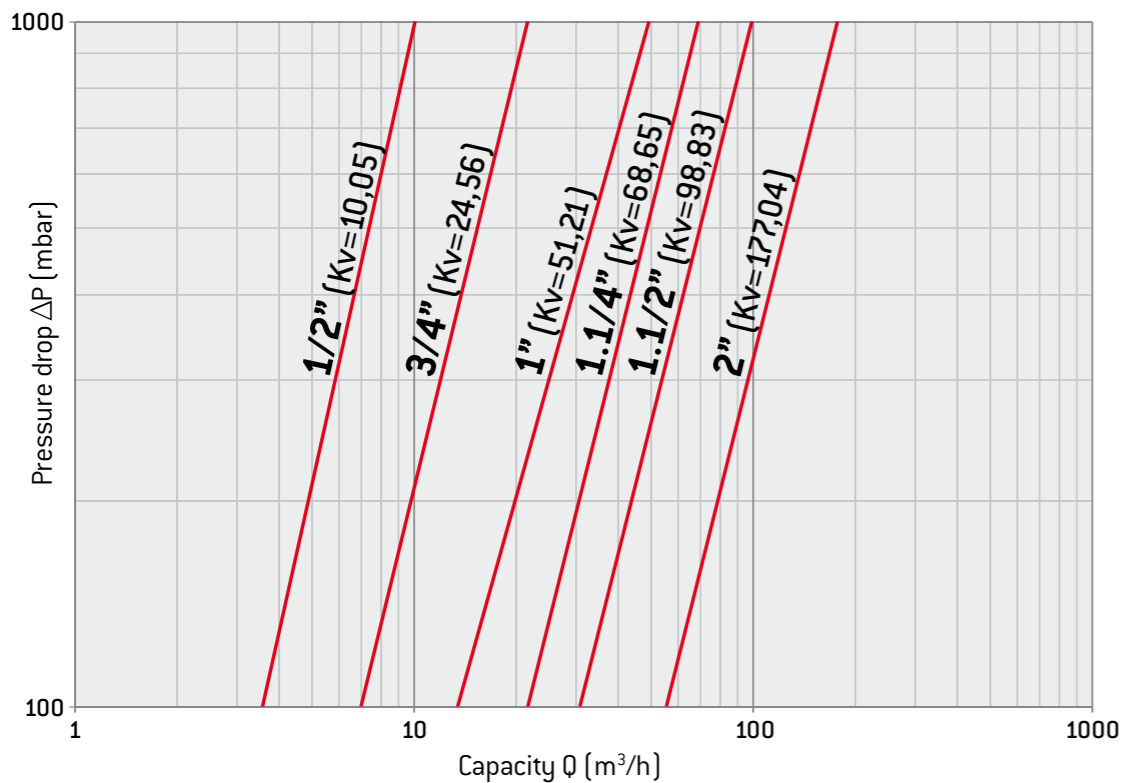


7600...

PRESSURE DROP CHART

VALID ALSO FOR 7602 - 7611 - 7615 - 7617 - 7605
760501 - 7607 - 7608 - 7645 - 7647

It is defined Kv the flow in m³/h of water at temperature of 15,5°C that causes a pressure drop of 1 bar: bigger is its value, less are the pressure drops.

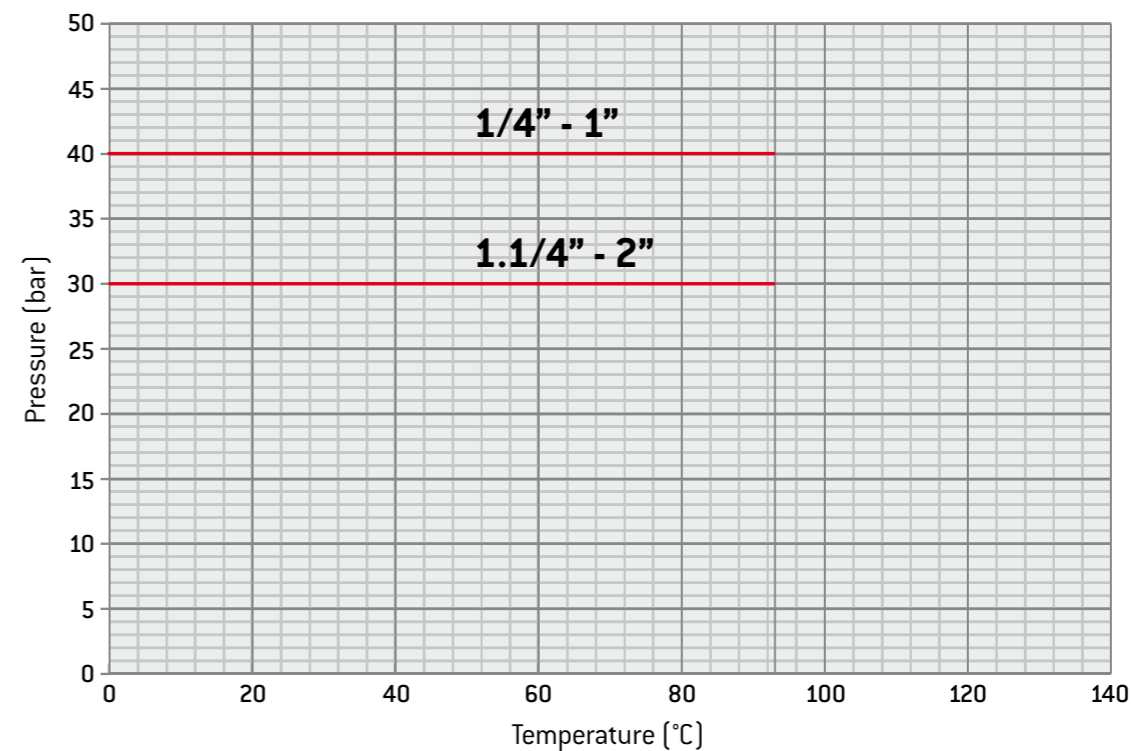


7600...

PRESSURE/TEMPERATURE CHART

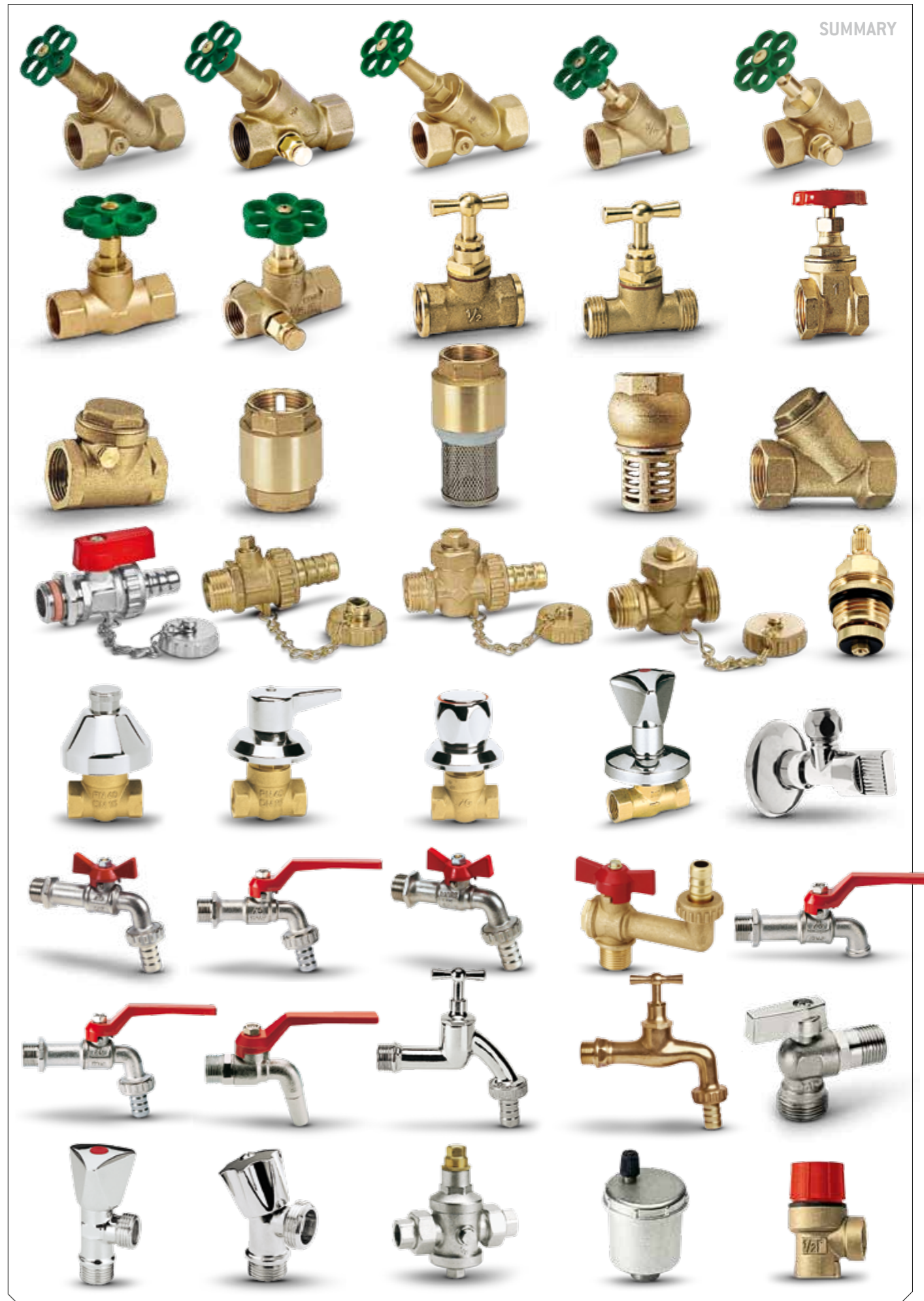
VALID ALSO FOR 7602 - 7605 - 7607 - 7608
7645 - 7647 - 7951 - 7956 - 7957

The diagram pressure temperature represents the limit of valve's application, the graphics have to be considered approximate, since the variables which occur during the utilization of the same (manouvre cycles, periodical or sudden alterations of pressure and temperature, fluid used).





► Idrosanitaria Bonomi
ALWAYS EVOLVING



7490...

ANGLE-SEAT VALVE

STOP VALVES



- F/F angle-seat valve with fixed stem
- EN10226-1 (ex ISO 7/1) female thread
- Temperature range: 0°C to +95°C

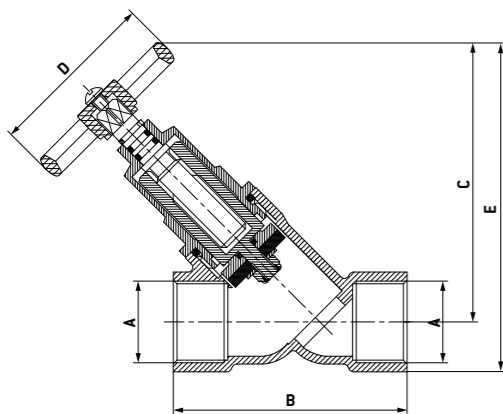
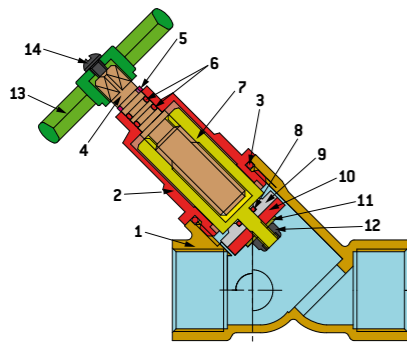
This valve is particularly indicated for distributing, regulating and shutting off generally non-corrosive fluids that are compatible with the valve materials. Other excellent fields of application are in plant engineering for plumbing and heating, and industry.

The valve is made in accordance with German standards DIN 3502 and 3546 PART II.

Seat seal is provided by a KTW-approved NBR gasket.

COMPONENTS:

POSN.	PART NAME	No. Pcs.	MATERIAL
1	Body	1	CW617N UNI-EN 12165
2	Upper part body	1	CW617N UNI-EN 12164 - CW617N UNI-EN 12165
3	O-ring	1	KTW-approved NBR
4	Upper part stem	1	CW617N UNI-EN 12164
5	Snap ring	1	Phosphorous bronze
6	O-ring	2	KTW-approved NBR
7	Valve	1	CW617N UNI-EN 12164
8	O-ring	1	KTW-approved NBR
9	Hose-end disc	1	CW617N UNI-EN 12164
10	Gasket	1	KTW-approved NBR
11	Washer	1	CW508L UNI-EN 1652
12	Self-locking nut	1	Brass
13	Handwheel	1	Plastic
14	Screw	1	CW508L UNI-EN 12166



DIMENSIONS:

DN	A	B	C	D	E	PN
15	Rp 1/2"	65	79	50	93	16
20	Rp 3/4"	75	90	55	106	16
25	Rp 1"	90	103	55	123	16
32	Rp 1.1/4"	110	125	70	150	16
40	Rp 1.1/2"	120	136	70	163	16
50	Rp 2"	150	153	70	188	16

PACKAGING:

	Rp 1/2"	Rp 3/4"	Rp 1"	Rp 1.1/4"	Rp 1.1/2"	Rp 2"
CODE	74900004	74900006	74900008	74900010	74900011	74900013
PIECES PER BOX	-	-	-	-	-	-
PIECES PER CARTON	70	50	30	20	15	10

7495...

ANGLE-SEAT VALVE

STOP VALVES



- F/F angle-seat valve with fixed stem
- Female thread: EN10226-1 (ex ISO 7/1)
- Temperature range: 0°C to +95°C

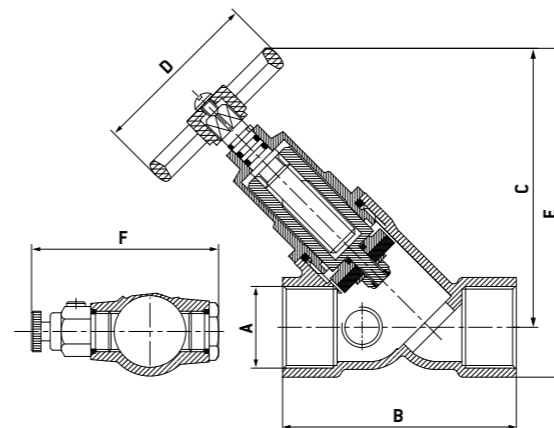
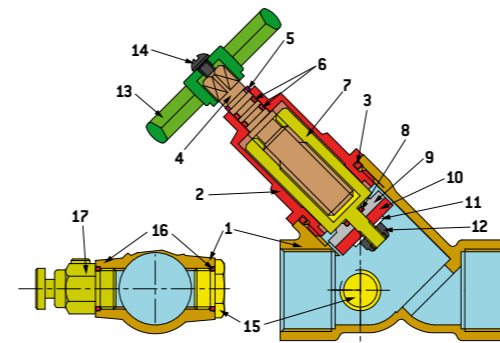
This valve is particularly indicated for distributing, regulating and shutting off generally non-corrosive fluids that are compatible with the valve materials. Other excellent fields of application are in plant engineering for plumbing and heating, and industry.

The valve is made in accordance with German standards DIN 3502 and 3546 PART II.

Seat seal is provided by a KTW-approved NBR gasket.

COMPONENTS:

POSN.	PART NAME	No. Pcs.	MATERIAL
1	Body	1	CW617N UNI-EN 12165
2	Upper part body	1	CW617N UNI-EN 12164 - CW617N UNI-EN 12165
3	O-ring	1	KTW-approved NBR
4	Upper part stem	1	CW617N UNI-EN 12164
5	Snap ring	1	Phosphorous bronze
6	O-ring	2	KTW-approved NBR
7	Valve	1	CW617N UNI-EN 12164
8	O-ring	1	KTW-approved NBR
9	Hose-end disc	1	CW617N UNI-EN 12164
10	Gasket	1	KTW-approved NBR
11	Washer	1	CW508L UNI-EN 1652
12	Self-locking nut	1	Brass
13	Handwheel	1	Plastic
14	Screw	1	CW508L UNI-EN 12166
15	Tappo	1	CW617N UNI-EN 12164
16	O-ring	2	NBR
17	Vent nozzle	1	CW617N + NBR



DIMENSIONS:

DN	A	B	C	D	E	F	PN
15	Rp 1/2"	65	79	50	93	56	16
20	Rp 3/4"	75	90	55	106	62	16
25	Rp 1"	90	103	55	123	68	16
32	Rp 1.1/4"	110	125	70	150	74	16
40	Rp 1.1/2"	120	136	70	163	79	16
50	Rp 2"	150	153	70	188	89	16

PACKAGING:

	Rp 1/2"	Rp 3/4"	Rp 1"	Rp 1.1/4"	Rp 1.1/2"	Rp 2"
CODE	74950004	74950006	74950008	74950010	74950011	74950013
PIECES PER BOX	-	-	-	-	-	-
PIECES PER CARTON	70	50	30	20	15	10

7480...

ANGLE-SEAT VALVE

STOP VALVES

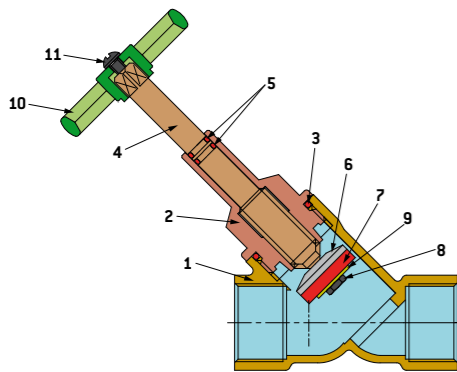


- F/F angle-seat valve with moving stem
- Female thread: EN10226-1 [ex ISO 7/1]
- Temperature range: 0°C to +95°C

This valve is particularly indicated for distributing, regulating and shutting off generally non-corrosive fluids that are compatible with the valve materials. Other excellent fields of application are in plant engineering for plumbing and heating, and industry.

The valve is made in accordance with German standards DIN 3502 and 3546 PART II.

Seat seal is provided by a KTW-approved NBR gasket.

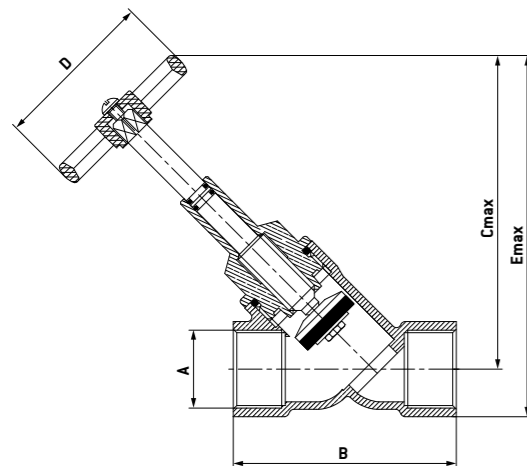


COMPONENTS:

POSN.	PART NAME	No. Pcs.	MATERIAL
1	Body	1	CW617N UNI-EN 12165
2	Upper part body	1	CW617N UNI-EN 12164 - CW617N UNI-EN 12165
3	O-ring	1	KTW-approved NBR
4	Upper part stem	1	CW617N UNI-EN 12164
5	O-ring	2	KTW-approved NBR
6	Hose-end disc	1	CW617N UNI-EN 12164 - CW617N UNI-EN 12165
7	Gasket	1	KTW-approved NBR
8	Nut	1	CW617N UNI-EN 12164
9	Washer	1	CW508L UNI-EN 1652
10	Handwheel	1	Plastic
11	Screw	1	CW508L UNI-EN 12166

DIMENSIONS:

DN	A	B	Cmax	D	E _{max}	PN
15	Rp 1/2"	65	89	50	103	16
20	Rp 3/4"	75	106	55	122	16
25	Rp 1"	90	126	55	146	16
32	Rp 1.1/4"	110	152	70	177	16
40	Rp 1.1/2"	120	175	70	202	16
50	Rp 2"	150	207	70	242	16



PACKAGING:

	Rp 1/2"	Rp 3/4"	Rp 1"	Rp 1.1/4"	Rp 1.1/2"	Rp 2"
CODE	74800004	74800006	74800008	74800010	74800011	74800013
PIECES PER BOX	-	-	-	-	-	-
PIECES PER CARTON	50	40	30	20	15	10

7485...

ANGLE-SEAT VALVE

STOP VALVES

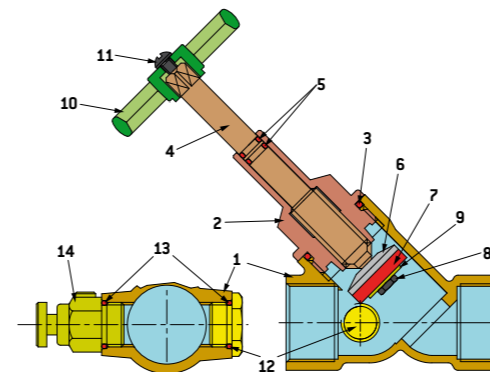


- F/F angle-seat valve with moving stem and drain cock
- Female thread: EN10226-1 [ex ISO 7/1]
- Temperature range: 0°C to +95°C

This valve is particularly indicated for distributing, regulating and shutting off generally non-corrosive fluids that are compatible with the valve materials. Other excellent fields of application are in plant engineering for plumbing and heating, and industry.

The valve is made in accordance with German standards DIN 3502 and 3546 PART II.

Seat seal is provided by a KTW-approved NBR gasket.

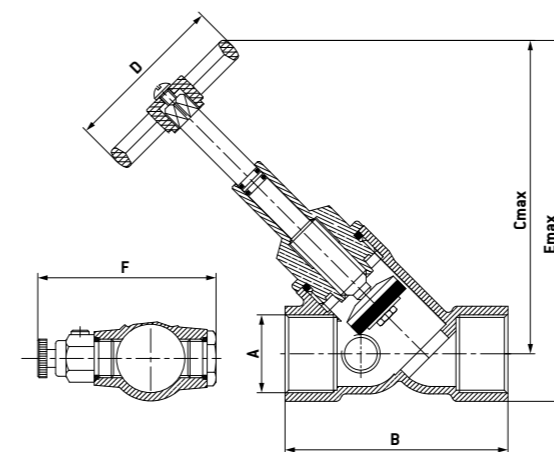


COMPONENTS:

POSN.	PART NAME	No. Pcs.	MATERIAL
1	Body	1	CW617N UNI-EN 12165
2	Upper part body	1	CW617N UNI-EN 12164 - CW617N UNI-EN 12165
3	O-ring	1	KTW-approved NBR
4	Upper part stem	1	CW617N UNI-EN 12164
5	O-ring	2	KTW-approved NBR
6	Hose-end disc	1	CW617N UNI-EN 12164 - CW617N UNI-EN 12165
7	Gasket	1	KTW-approved NBR
8	Nut	1	CW617N UNI-EN 12164
9	Washer	1	CW508L UNI-EN 1652
10	Handwheel	1	Plastic
11	Screw	1	CW508L UNI-EN 12166
12	Cap	1	CW617N UNI-EN 12164
13	O-ring	2	NBR
14	Vent nozzle	1	CW617N + NBR

DIMENSIONS:

DN	A	B	Cmax	D	E _{max}	F	PN
15	Rp 1/2"	65	89	50	103	56	16
20	Rp 3/4"	75	106	55	122	62	16
25	Rp 1"	90	126	55	146	68	16
32	Rp 1.1/4"	110	152	70	177	74	16
40	Rp 1.1/2"	120	175	70	202	79	16
50	Rp 2"	150	207	70	242	89	16



PACKAGING:

	Rp 1/2"	Rp 3/4"	Rp 1"	Rp 1.1/4"	Rp 1.1/2"	Rp 2"
CODE	74850004	74850006	74850008	74850010	74850011	74850013
PIECES PER BOX	-	-	-	-	-	-
PIECES PER CARTON	50	40	30	20	15	10

7520...

ANGLE-SEAT VALVE

STOP VALVES

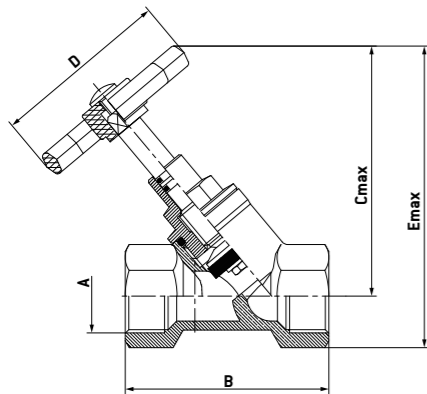
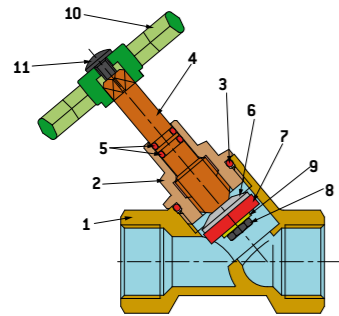


- F/F angle-seat valve
- Female thread: ISO 228
- Temperature range: 0°C to +95°C

This valve is particularly indicated for distributing, regulating and shutting off generally non-corrosive fluids that are compatible with the valve materials. Other excellent fields of application are in plant engineering for plumbing and heating, and industry. Seat seal is provided by a NBR gasket.

COMPONENTS:

POSN.	PART NAME	No. Pcs.	MATERIAL
1	Body	1	CW617N UNI-EN 12165
2	Upper part body	1	CW617N UNI-EN 12164 (1/2" - 3/4") CW617N UNI-EN 12165 (1" a 2")
3	O-ring	1	NBR
4	Upper part stem	1	CW617N UNI-EN 12164
5	O-ring	2	NBR
6	Hose-end disc	1	CW617N UNI-EN 12164 (1/2" - 3/4") CW617N UNI-EN 12165 (da 1" a 2")
7	Gasket	1	NBR
8	Nut	1	CW617N UNI-EN 12164
9	Washer	1	CW508L UNI-EN 1652
10	Handwheel	1	Plastic
11	Screw	1	CW508L UNI-EN 12166



DIMENSIONS:

DN	A	B	Cmax	D	Emax	PN
15	1/2"	57	67	50	81	16
20	3/4"	66	77	50	94	16
25	1"	80	96	55	118	16
32	1.1/4"	92	115	55	141	16
40	1.1/2"	101	131	70	160	16
50	2"	121	157	70	192	16

PACKAGING:

	1/2"	3/4"	1"	1.1/4"	1.1/2"	2"
CODE	75200004	75200006	75200008	75200010	75200011	75200013
PIECES PER BOX	-	-	-	-	-	-
PIECES PER CARTON	80	50	50	30	20	10

7530...

ANGLE-SEAT VALVE

STOP VALVES

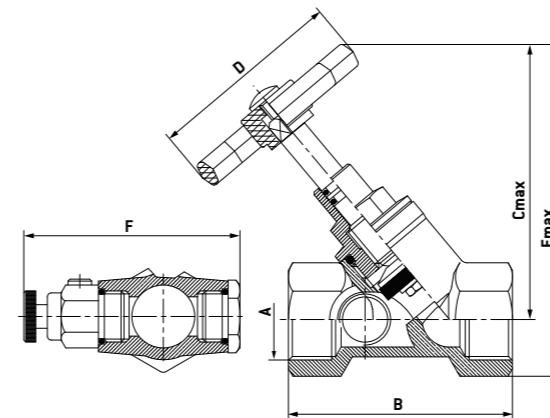
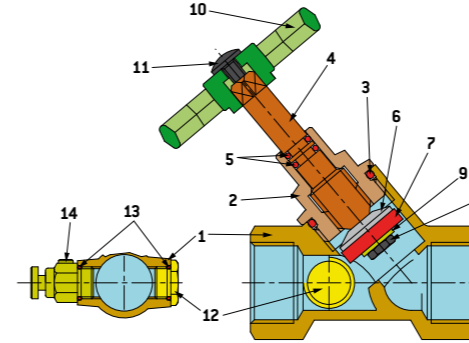


- F/F angle-seat valve with drain cock
- Female thread: ISO 228
- Temperature range: 0°C to +95°C

This valve is particularly indicated for distributing, regulating and shutting off generally non-corrosive fluids that are compatible with the valve materials. Other excellent fields of application are in plant engineering for plumbing and heating, and industry. Seat seal is provided by a NBR gasket.

COMPONENTS:

POSN.	PART NAME	No. Pcs.	MATERIAL
1	Body	1	CW617N UNI-EN 12165
2	Upper part body	1	CW617N UNI-EN 12164 (1/2" - 3/4") CW617N UNI-EN 12165 (1" a 2")
3	O-ring	1	NBR
4	Upper part stem	1	CW617N UNI-EN 12164
5	O-ring	2	NBR
6	Hose-end disc	1	CW617N UNI-EN 12164 (1/2" - 3/4") CW617N UNI-EN 12165 (1" a 2")
7	Gasket	1	NBR
8	Nut	1	CW617N UNI-EN 12164
9	Washer	1	CW508L UNI-EN 1652
10	Handwheel	1	Plastic
11	Screw	1	CW508L UNI-EN 12166
12	Cap	1	CW617N UNI-EN 12164
13	O-ring	2	NBR
14	Vent nozzle	1	CW617N + NBR



DIMENSIONS:

DN	A	B	Cmax	D	Emax	F	PN
15	1/2"	57	67	50	81	56	16
20	3/4"	66	77	50	94	61	16
25	1"	80	96	55	118	66	16
32	1.1/4"	92	115	55	141	72	16
40	1.1/2"	101	131	70	160	74	16
50	2"	121	157	70	192	83	16

PACKAGING:

	1/2"	3/4"	1"	1.1/4"	1.1/2"	2"
CODE	75300004	75300006	75300008	75300010	75300011	75300013
PIECES PER BOX	-	-	-	-	-	-
PIECES PER CARTON	80	50	50	30	20	10

7535...

ANGLE-SEAT VALVE

STOP VALVES



- Angle-seat valve for copper pipe connection with drain cock
- Temperature range: 0°C to +95°C

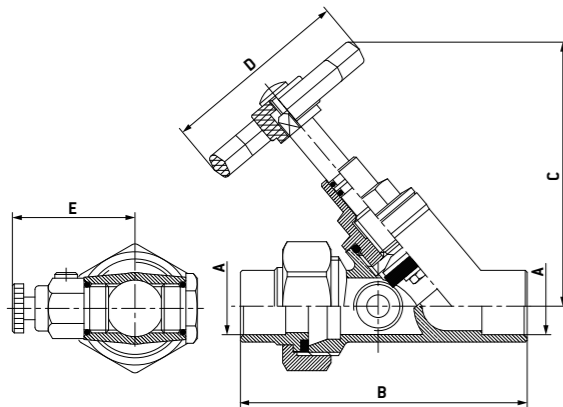
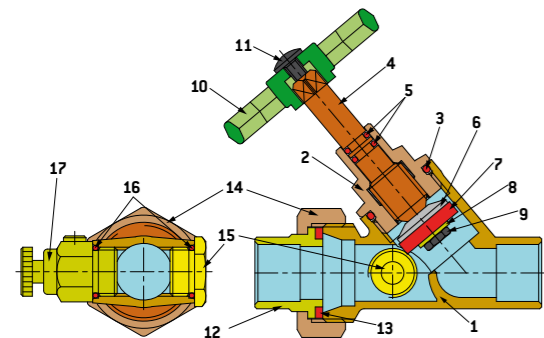
This valve is particularly indicated for distributing, regulating and shutting off generally non-corrosive fluids that are compatible with the valve materials. Other excellent fields of application are in plant engineering for plumbing and heating, and industry. Seat seal is provided by a NBR gasket.

COMPONENTS:

POSN.	PART NAME	No. Pcs.	MATERIAL
1	Body	1	CW617N UNI-EN 12165
2	Upper part body	1	CW617N UNI-EN 12164 - CW617N UNI-EN 12165
3	O-ring vitone	1	NBR
4	Upper part stem	1	CW617N UNI-EN 12164
5	Stem O-ring	2	NBR
6	Hose-end disc	1	CW617N UNI-EN 12164 - CW617N UNI-EN 12165
7	Gasket	1	NBR
8	Washer	1	CW508L UNI-EN 1652
9	Nut	1	CW617N UNI-EN 12164
10	Handwheel	1	Plastic
11	Screw	1	CW508L UNI-EN 12166
12	Connection	1	CW617N UNI-EN 12164
13	Gasket	1	NBR
14	Nut	1	CW617N
15	Cap	1	CW617N UNI-EN 12164
16	O-ring	2	NBR
17	Vent nozzle	1	CW617N + NBR

DIMENSIONS:

A	B	C	D	E	PN
15	76	67	50	34	16
18	83	67	50	36	16
22	95	77	50	41	16
28	112	95	55	43	16
35	137	114	55	48	16



PACKAGING:

	15	18	22	28	35
CODE	75350066	75350068	75350069	75350070	75350071
PIECES PER BOX	-	-	-	-	-
PIECES PER CARTON	80	50	50	50	40

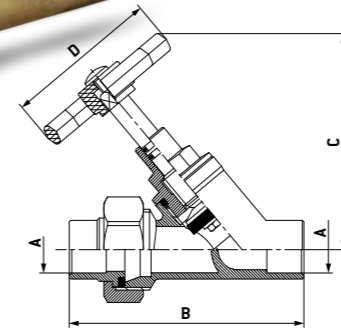
7560...

ANGLE-SEAT VALVE

STOP VALVES



- Angle-seat valve with copper pipe connection
- Temperature range: 0°C to +95°C



DIMENSIONS:

A	B	C	D	PN
15	76	67	50	16
18	83	67	50	16
22	95	77	50	16
28	112	95	55	16
35	137	114	55	16

PACKAGING:

	15	18	22	28	35
CODE	75600066	75600068	75600069	75600070	75600071
PIECES PER BOX	-	-	-	-	-
PIECES PER CARTON	80	50	50	50	40

3290...

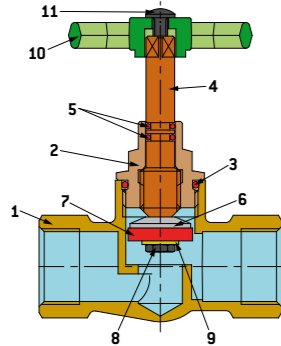
STOP VALVE

STOP VALVES



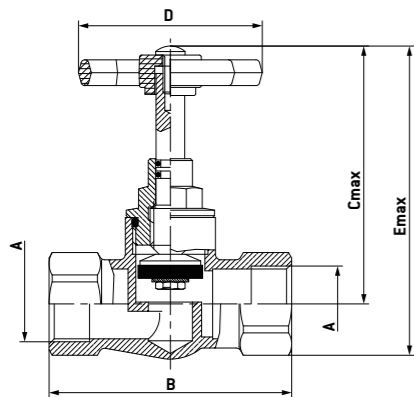
- F/F stop valve
- Female thread: ISO 228 (1/2" - 3/4" - 1")
- Female thread: EN10226-1 (ex ISO 7/1) 1. 1/4" - 1.1/2" - 2"
- Temperature range: 0°C to +95°C

This valve is particularly indicated for distributing, regulating and shutting off generally non-corrosive fluids that are compatible with the valve materials. Another excellent field of application is in plant engineering for plumbing and heating. Seat seal is provided by an NBR gasket.



COMPONENTS:

POSN.	PART NAME	No. Pcs.	MATERIAL
1	Body	1	CW617N UNI-EN 12165 (1/2"-3/4"-1") CC754S EN1982 (1.1/4"-1.1/2"-2")
2	Upper part body	1	CW617N UNI-EN 12164 (1/2"-3/4") CW617N UNI-EN 12165 (1.1/4"-1.1/2"-1"-2")
3	Upper part O-ring	1	NBR
4	Upper part stem	1	CW617N UNI-EN 12164
5	Stem O-ring	2	NBR
6	Hose-end disc	1	CW617N UNI-EN 12164 (1/2"-3/4") CW617N UNI-EN 12165 (1.1/4"-1.1/2"-1"-2")
7	Gasket	1	NBR
8	Nut	1	CW617N UNI-EN 12164
9	Washer	1	CW508L UNI-EN 1652
10	Handwheel	1	Plastic
11	Screw	1	CW508L UNI-EN 12166



DIMENSIONS:

DN	A	B	Cmax	D	Emax	PN
15	1/2"	66	67	50	81	16
20	3/4"	74	77	50	94	16
25	1"	85	97	55	118	16
32	Rp 1.1/4"	110	130	55	156	16
40	Rp 1.1/2"	120	130	70	160	16
50	Rp 2"	150	169	70	205	16

PACKAGING:

	1/2"	3/4"	1"	Rp 1.1/4"	Rp 1.1/2"	Rp 2"
CODE	32900004	32900006	32900008	32900010	32900011	32900013
PIECES PER BOX	-	-	-	-	-	-
PIECES PER CARTON	80	50	50	15	10	10

3300...

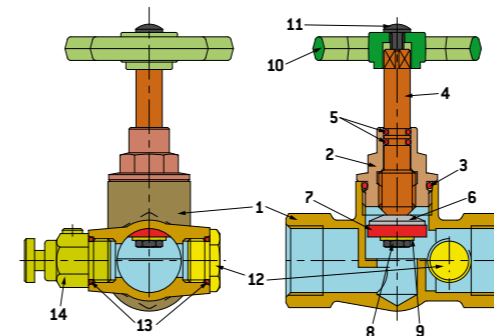
STOP VALVE

STOP VALVES



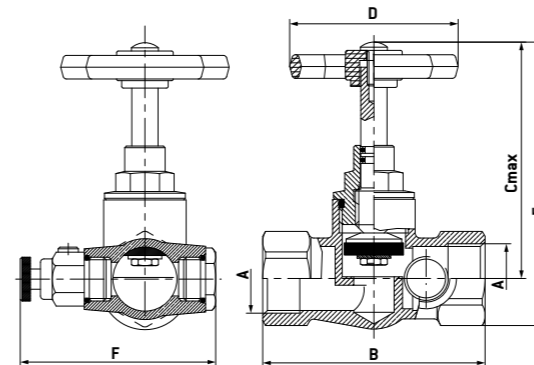
- F/F stop valve with drain cock
- Female thread: ISO 228 (1/2" - 3/4" - 1")
- Female thread: EN10226-1 (ex ISO 7/1) 1.1/4" - 1.1/2" - 2"
- Temperature range: 0°C to +95°C

This valve is particularly indicated for distributing, regulating and shutting off generally non-corrosive fluids that are compatible with the valve materials. Another excellent field of application is in plant engineering for plumbing and heating. Seat seal is provided by an NBR gasket.



COMPONENTS:

POSN.	PART NAME	No. Pcs.	MATERIAL
1	Body	1	CW617N UNI-EN 12165 (1/2"-3/4"-1") CC754S EN1982 (1.1/4"-1.1/2"-2")
2	Upper part body	1	CW617N UNI-EN 12164 (1/2"-3/4") CW617N UNI-EN 12165 (1.1/4"-1.1/2"-1"-2")
3	Upper part O-ring	1	NBR
4	Upper part stem	1	CW617N UNI-EN 12164
5	O-ring Screw	2	NBR
6	Hose-end disc	1	CW617N UNI-EN 12164 (1/2"-3/4") CW617N UNI-EN 12165 (1.1/4"-1.1/2"-1"-2")
7	Gasket	1	NBR
8	Nut	1	CW617N UNI-EN 12164
9	Washer	1	CW508L UNI-EN 1652
10	Handwheel	1	Plastic
11	Screw	1	CW508L UNI-EN 12166
12	Cap	1	CW617N UNI-EN 12164
13	O-ring	1	NBR
14	Vent nozzle	1	CW617N + NBR



DIMENSIONS:

DN	A	B	Cmax	D	Emax	F	PN
15	1/2"	66	67	50	81	60	16
20	3/4"	74	77	50	94	66	16
25	1"	85	97	55	118	72	16
32	Rp 1.1/4"	110	130	55	156	82	16
40	Rp 1.1/2"	120	130	70	160	94	16
50	Rp 2"	130	130	70	205	103	16

PACKAGING:

	1/2"	3/4"	1"	Rp 1.1/4"	Rp 1.1/2"	Rp 2"
CODE	33000004	33000006	33000008	33000010	33000011	33000013
PIECES PER BOX	-	-	-	-	-	-
PIECES PER CARTON	70	50	50	15	10	10

3325...

STOP VALVE

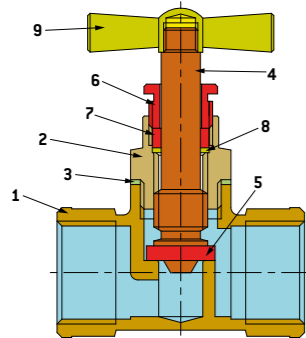
STOP VALVES



- F/F stop valve
- Female thread: ISO 228
- Temperature range: 0°C to +95°C

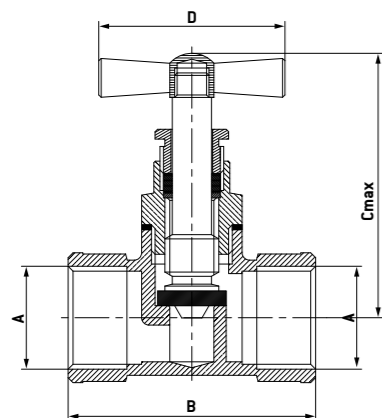
This valve is particularly indicated for distributing, regulating and shutting off generally non-corrosive fluids that are compatible with the valve materials. Another excellent field of application is in plant engineering for plumbing and heating.

Seat seal is provided by an NBR gasket.



COMPONENTS:

POSN.	PART NAME	No. Pcs.	MATERIAL
1	Body	1	CW617N UNI-EN 12165
2	Upper part body	1	CW617N UNI-EN 12164
3	Gasket upper part	1	Fibre (for 1/2") - NBR (for 3/4")
4	Upper part stem	1	CW617N UNI-EN 12164
5	Gasket	1	NBR
6	Gland	1	CW617N UNI-EN 12164
7	Gasket	1	NBR
8	Washer	1	CW508L UNI-EN 1652
9	Handle	1	CW617N UNI-EN 12164



DIMENSIONS:

DN	A	B	Cmax	D	PN
15	1/2"	50	61	38	16
20	3/4"	65	68	38	16

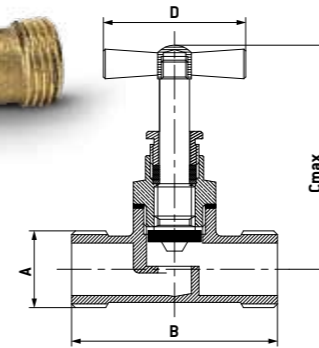
PACKAGING:

	1/2"	3/4"
CODE	33250004	33250006
PIECES PER BOX	-	-
PIECES PER CARTON	150	100

3295...

STOP VALVE

STOP VALVES



- M/M stop valve
- Male thread: ISO 228
- Temperature range: 0°C to +95°C

DIMENSIONS:

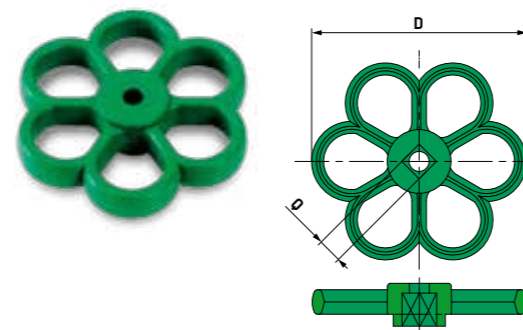
DN	A	B	Cmax	D	PN
15	1/2"	55	60	38	16
20	3/4"	60	68	38	16

PACKAGING:

	1/2"	3/4"
CODE	32950004	32950006
PIECES PER BOX	-	-
PIECES PER CARTON	150	100

PLASTIC HANDWHEEL

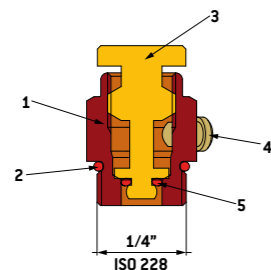
- Plastic handwheel



DIMENSIONS:

SIZE	D=50 Q=6		D=55 Q=7		D=70 Q=8	
	ACCESSORY CODE	75210004V990	75210008V990	75210011V990		
3290	1/2" - 3/4"		1" - 1.1/4"		1.1/2" - 2"	
3300	1/2" - 3/4"		1" - 1.1/4"		1.1/2" - 2"	
7480	1/2"		3/4" - 1"		1.1/4" - 1.1/2" - 2"	
7485	1/2"		3/4" - 1"		1.1/4" - 1.1/2" - 2"	
7490	1/2"		3/4" - 1"		1.1/4" - 1.1/2" - 2"	
7495	1/2"		3/4" - 1"		1.1/4" - 1.1/2" - 2"	
7520	1/2" - 3/4"		1" - 1.1/4"		1.1/2" - 2"	
7530	1/2" - 3/4"		1" - 1.1/4"		1.1/2" - 2"	
7535	15-18-22		28-35		-	
7560	15-18-22		28-35		-	

DRAIN COCK



- Drain cock with O-ring
- Finish: yellow
- Maximum pressure: PN16

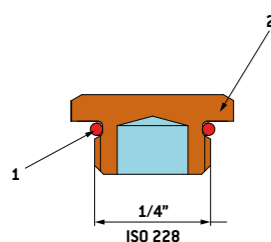
COMPONENTS:

POSN.	PART NAME	No. Pcs.	MATERIAL
1	Relief valve body	1	CW617N UNI-EN 12164
2	O-ring body	1	NBR
3	Screw	1	CW617N UNI-EN 12164
4	Nozzle vent	1	CW617N UNI-EN 12164
5	O-ring screw	1	NBR

DIMENSIONS:

SIZE	1/4"
ACCESSORY CODE	39910002
3300	1/2" - 3/4" - 1" - 1.1/4" - 1.1/2" - 2"
7485	1/2" - 3/4" - 1" - 1.1/4" - 1.1/2" - 2"
7495	1/2" - 3/4" - 1" - 1.1/4" - 1.1/2" - 2"
7535	15 - 18 - 22 - 28 - 35
7530	1/2" - 2"

CAP



- Cap with O-ring
- Finish: yellow

COMPONENTS:

POSN.	PART NAME	No. Pcs.	MATERIAL
1	Body	1	CW617N UNI-EN 12164
2	Gasket O-ring	1	NBR

DIMENSIONS:

SIZE	1/4"
ACCESSORY CODE	33000002XA
3300	1/2" - 3/4" - 1" - 1.1/4" - 1.1/2" - 2"
7485	1/2" - 3/4" - 1" - 1.1/4" - 1.1/2" - 2"
7495	1/2" - 3/4" - 1" - 1.1/4" - 1.1/2" - 2"
7535	15 - 18 - 22 - 28 - 35
7530	1/2" - 2"

5240...

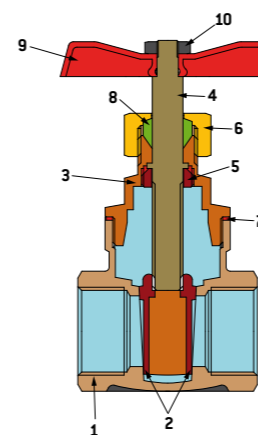
BRASS GATE VALVE

GATE VALVES



- Brass gate valve heavy model
- Thread: ISO 228
- Temperature range: max. 80°C

This valve is particularly indicated for distributing, regulating and shutting off generally non-corrosive fluids that are compatible with the valve materials. Other excellent fields of application are in plant engineering for plumbing and heating, industry and agriculture. Seat seal is provided by a metal-on-metal coupling.



COMPONENTS:

POSN.	PART NAME	No. Pcs.	MATERIAL
1	Body	1	CW617 UNI-EN 12165 (up to 2") C EN1982 CB 754S (2.1/2" to 4")
2	Disc	2	C EN1982 CB 754S
3	Upper part	1	CW617 UNI-EN 12165
4	Stem	1	CW617N UNI-EN 12164
5	Ring	1	CW617N UNI-EN 12164
6	Gland	1	CW617N UNI-EN 12164
7	Gasket body	1	Guarnital fibre
8	Gasket stem	1	Dutral EPDM90
9	Handwheel	1	Red epoxy-resin plasticized steel
10	Fixed nut Handwheel	1	Galvanised steel

DIMENSIONS:

DN	A	B	C	D	E	PN
8	1/4"	33	67	45	11	16
10	3/8"	33	67	45	13	16
15	1/2"	38	68	45	15	16
20	3/4"	44	78	50	19	16
25	1"	48	91	55	24	16
32	1.1/4"	51	108	60	32	16
40	1.1/2"	58	125	70	37	16
50	2"	63	143	80	47	16
65	2.1/2"	64	175	100	60	16
80	3"	74	200	100	72	16
100	4"	84	235	120	93	16

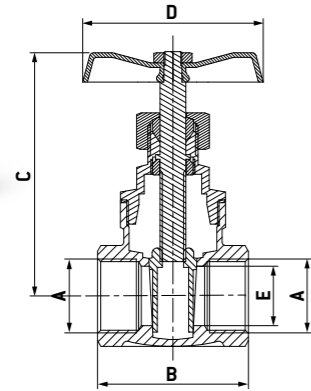
PACKAGING:

	1/4"	3/8"	1/2"	3/4"	1"	1.1/4"	1.1/2"	2"	2.1/2"	3"	4"
CODE	52400002	52400003	52400004	52400006	52400008	52400010	52400011	52400013	52400015	52400017	52400019
PIECES PER BOX	20	20	20	20	10	10	5	5	-	-	-
PIECES PER CARTON	200	180	180	120	80	50	35	25	18	12	6

5230...

BRASS GATE VALVE

GATE VALVES



- Brass gate valve light model
- Thread: ISO 228
- Temperature range: max. 80°C

DIMENSIONS:

DN	A	B	C	D	E	PN
10	3/8"	33	67	45	13	10
15	1/2"	35	68	45	13,5	10
20	3/4"	39	68	45	15,5	10
25	1"	43	80	50	19	10
32	1.1/4"	48	86	55	27	10
40	1.1/2"	54	107	60	33	10
50	2"	58	134	70	44	10
65	2.1/2"	63	143	80	47	10
80	3"	70	175	100	60	10
100	4"	80	202	100	72	10

PACKAGING:

	3/8"	1/2"	3/4"	1"	1.1/4"	1.1/2"	2"	2.1/2"	3"	4"
CODE	52300003	52300004	52300006	52300008	52300010	52300011	52300013	52300015	52300017	52300019
PIECES PER BOX	20	20	20	20	10	6	5	5	-	-
PIECES PER CARTON	180	180	180	120	80	60	35	20	16	10

700020...

BRASS SWING CHECK VALVE RUBBER SEAT

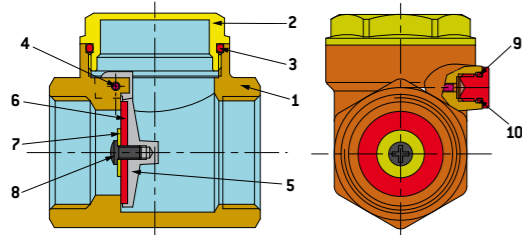
SWING CHECK VALVES



- F/F brass swing check valve rubber seat
- Female/Female thread: ISO 228
- Temperature range: 0°C to +80°C

This valve is particularly indicated for use in non-return systems with generally non-corrosive fluids that are compatible with the valve materials. Excellent fields of application are in plant engineering for plumbing and heating, industry, agriculture and pneumatics.

The direction of flow is indicated by an arrow on the valve body. It can be installed either horizontally or vertically. Seat seal is provided by a NBR gasket.



COMPONENTS:

POSN.	PART NAME	No. Pcs.	MATERIAL
1	Body	1	CW617N UNI-EN 12165
2	Cap	1	CW617N (for 1/2") UNI-EN 12164 CW617N (3/4" to 2") UNI-EN 12165
3	O-ring	1	NBR
4	Pin	1	CW617N UNI-EN 12164
5	Clapet	1	CW617N UNI-EN 12165
6	Gasket	1	NBR
7	Washer	1	CW508L UNI-EN 1652 [not for 1/2" and 3/4"]
8	Screw	1	CW508L UNI-EN 12166
9	M8 cap	1	CW617N UNI-EN 12164
10	O-ring	1	NBR

DIMENSIONS:

DN	A	B	C	D	E	PN
10	3/8"	43	46	25	13	10
15	1/2"	44	46	32	13	10
20	3/4"	52	55	37	17	10
25	1"	62	63	41	25	10
32	1.1/4"	72	76	49	30	8
40	1.1/2"	80	85	54	35	8
50	2"	93	100	60	45	8
65	2.1/2"	118	107	65	55	6
80	3"	135	130	85	70	6
100	4"	164	159	109	90	6

PACKAGING:

	3/8"	1/2"	3/4"	1"	1.1/4"	1.1/2"	2"	2.1/2"	3"	4"
CODE	70002003	70002004	70002006	70002008	70002010	70002011	70002013	70002015	70002017	70002019
PIECES PER BOX	-	-	-	-	-	-	-	-	-	-
PIECES PER CARTON	150	150	100	50	50	40	30	20	16	4

700021...

BRASS SWING CHECK VALVE METAL SEAT

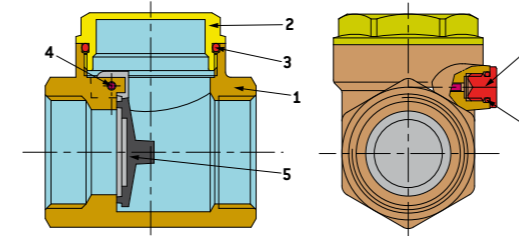
SWING CHECK VALVES



- F/F brass swing check valve with metal seat
- Female/Female thread: ISO 228
- Temperature range: 0°C to +80°C

This valve is particularly indicated for use in non-return systems with generally non-corrosive fluids that are compatible with the valve materials. Other excellent fields of application are in plant engineering for plumbing and heating, industry, agriculture and pneumatics.

The direction of flow is indicated by an arrow on the valve body. It can be installed either horizontally or vertically. Seat seal is provided by a metal-on-metal coupling.



COMPONENTS:

POSN.	PART NAME	No. Pcs.	MATERIAL
1	Body	1	CW617N UNI-EN 12165
2	Cap	1	CW617N (for 1/2") UNI-EN 12164 CW617N (3/4" TO 2") UNI-EN 12165
3	O-ring	1	NBR
4	Pin	1	CW617N UNI-EN 12164
5	Clapet	1	CW617N UNI-EN 12165
6	M8 cap	1	CW617N UNI-EN 12164
7	O-ring	1	NBR

DIMENSIONS:

DN	A	B	C	D	E	PN
10	3/8"	43	46	25	13	10
15	1/2"	44	46	32	13	10
20	3/4"	52	55	37	17	10
25	1"	62	63	41	25	10
32	1.1/4"	72	76	49	30	8
40	1.1/2"	80	85	54	35	8
50	2"	93	100	60	45	8
65	2.1/2"	118	107	65	55	6
80	3"	135	130	85	70	6
100	4"	164	159	109	90	6

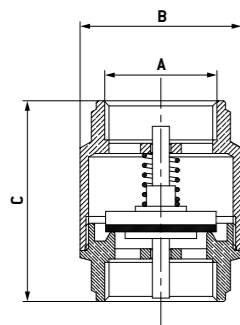
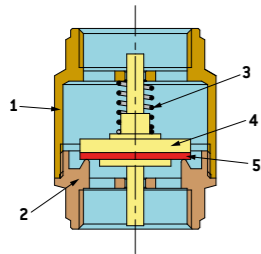
PACKAGING:

	3/8"	1/2"	3/4"	1"	1.1/4"	1.1/2"	2"	2.1/2"	3"	4"
CODE	70002103	70002104	70002106	70002108	70002110	70002111	70002113	70002115	70002117	70002119
PIECES PER BOX	-	-	-	-	-	-	-	-	-	-
PIECES PER CARTON	150	150	100	50	50	40	30	20	16	4

1010...

LOIRA

CHECK VALVES



- Loira check valve
- Female thread: ISO 228
- Temperature range: 0°C to +90°C

This valve is particularly indicated for use in non-return systems with generally non-corrosive fluids that are compatible with the valve materials. Excellent fields of application are in plant engineering for plumbing and heating, industry, agriculture and pneumatics.

The direction of flow is indicated by an arrow on the valve body. It can be installed in any position.

Seat seal is provided by a NBR gasket.

COMPONENTS:

POSN.	PART NAME	No. Pcs.	MATERIAL
1	Body	1	CW617N UNI-EN 12165
2	End connection	1	CW617N UNI-EN 12165
3	Spring	1	AISI 302 stainless steel
4	Valve	1	Nylon
5	Gasket	1	NBR

DIMENSIONS:

DN	A	B	C	PN
10	3/8"	34	49	12
15	1/2"	34	49	12
20	3/4"	42	54	12
25	1"	48	59	12
32	1.1/4"	60	67	10
40	1.1/2"	69	72	10
50	2"	95	77	10
65	2.1/2"	102	98	8
80	3"	125	103	8
100	4"	154	119	8

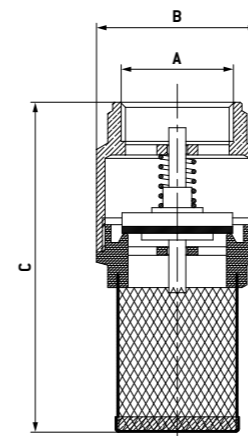
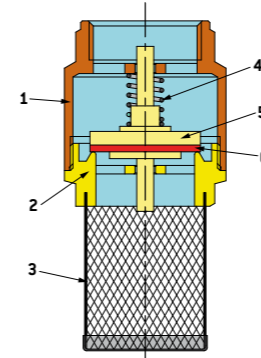
PACKAGING:

	3/8"	1/2"	3/4"	1"	1.1/4"	1.1/2"	2"	2.1/2"	3"	4"
CODE	10100003	10100004	10100006	10100008	10100010	10100011	10100013	10100015	10100017	10100019
PIECES PER BOX	25	25	20	12	6	5	3	-	-	-
PIECES PER CARTON	250	250	200	120	72	50	30	20	15	12

1030...

LOIRA WITH STRAINER

CHECK VALVES



- Loira check valve with strainer
- Female thread: ISO 228
- Strainer with hole of 1200 micron
- Temperature range: 0°C to +90°C

This valve is particularly indicated for use in suction lift pumps for the non-return of generally non-corrosive fluids that are compatible with the valve materials.

Excellent fields of application are in plant engineering for plumbing and heating, industry, agriculture and pneumatics.

The direction of flow is indicated by an arrow on the valve body. It can be installed in any position.

Seat seal is provided by a NBR gasket.

COMPONENTS:

POSN.	PART NAME	No. Pcs.	MATERIAL
1	Body	1	CW617N UNI-EN 12165
2	End connection	1	Nylon
3	Filter	1	AISI 304 stainless steel
4	Spring	1	AISI 302 stainless steel
5	Valve	1	Nylon
6	Gasket	1	NBR

DIMENSIONS:

DN	A	B	C	PN
10	3/8"	34	70	10
15	1/2"	34	81	10
20	3/4"	42	87	10
25	1"	48	97	10
32	1.1/4"	60	110	8
40	1.1/2"	69	125	8
50	2"	85	145	8
65	2.1/2"	102	165	6
80	3"	125	185	6
100	4"	154	215	6

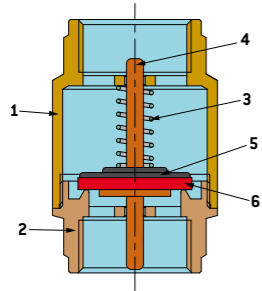
PACKAGING:

	3/8"	1/2"	3/4"	1"	1.1/4"	1.1/2"	2"	2.1/2"	3"	4"
CODE	10300003	10300004	10300006	10300008	10300010	10300011	10300013	10300015	10300017	10300019
PIECES PER BOX	25	25	15	12	6	4	2	-	-	-
PIECES PER CARTON	250	250	150	180	90	60	30	20	15	10

1000...

EUROPA

CHECK VALVES



- Europa check valve
- Female thread: ISO 228
- Temperature range: -20°C to +100°C

This valve is particularly indicated for use in non-return systems with generally non-corrosive fluids that are compatible with the valve materials. Excellent fields of application are in plant engineering for plumbing and heating, industry, agriculture and pneumatics.

The direction of flow is indicated by an arrow on the valve body. It can be installed in any position.

Seat seal is provided by a NBR gasket.

COMPONENTS:

POSN.	PART NAME	No. Pcs.	MATERIAL
1	Body	1	CW617N UNI-EN 12165
2	End connection	1	CW617N UNI-EN 12165
3	Spring	1	AISI 302 stainless steel
4	Guide pin	1	CW617N UNI-EN 12164
5	Plate	1	AISI 304 stainless steel
6	Gasket	1	NBR

DIMENSIONS:

DN	A	B	C	PN
10	3/8"	35	55	25
15	1/2"	35	59	25
20	3/4"	42	65	25
25	1"	48	75	25
32	1.1/4"	61	83	18
40	1.1/2"	71	93	18
50	2"	87	101	18
65	2.1/2"	120	122	12
80	3"	140	142	12
100	4"	173	159	12

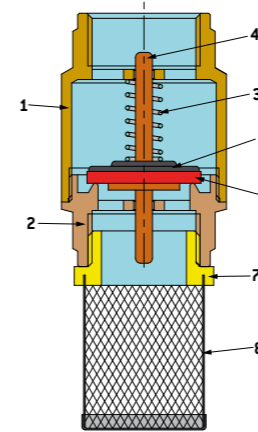
PACKAGING:

	3/8"	1/2"	3/4"	1"	1.1/4"	1.1/2"	2"	2.1/2"	3"	4"
CODE	10000003	10000004	10000006	10000008	10000010	10000011	10000013	10000015	10000017	10000019
PIECES PER BOX	10	10	8	6	4	4	2	-	-	-
PIECES PER CARTON	170	170	120	78	48	36	24	12	8	5

1020...

EUROPA WITH STRAINER

CHECK VALVES



- Europa check valve with strainer
- Female thread: ISO 228
- Strainer with hole from 3/8" to 2" 1200 micron
- Strainer with hole from 2.1/2" to 4" 2000 micron
- Temperature range: -20°C to +100°C

This valve is particularly indicated for use in suction lift pumps for the non-return of generally non-corrosive fluids that are compatible with the valve materials.

Excellent fields of application are in plant engineering for plumbing and heating, industry, agriculture and pneumatics.

The direction of flow is indicated by an arrow on the valve body. It can be installed in any position.

Seat seal is provided by a NBR gasket.

COMPONENTS:

POSN.	PART NAME	No. Pcs.	MATERIAL
1	Body	1	CW617N UNI-EN 12165
2	End connection	1	CW617N UNI-EN 12165
3	Spring	1	AISI 302 stainless steel
4	Guide pin	1	CW617N UNI-EN 12164
5	Plate	1	AISI 304 stainless steel
6	Gasket	1	NBR
7	Collar	1	Nylon
8	Filter	1	AISI 304 stainless steel

DIMENSIONS:

DN	A	B	C	PN
10	3/8"	35	90	25
15	1/2"	35	98	25
20	3/4"	42	114	25
25	1"	48	133	25
32	1.1/4"	61	147	18
40	1.1/2"	71	165	18
50	2"	87	187	18
65	2.1/2"	120	230	12
80	3"	140	265	12
100	4"	173	296	12

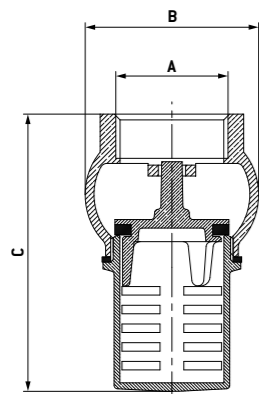
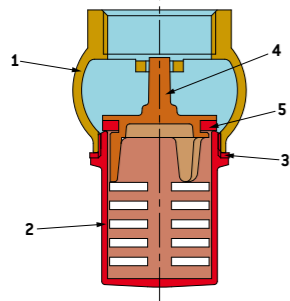
PACKAGING:

	3/8"	1/2"	3/4"	1"	1.1/4"	1.1/2"	2"	2.1/2"	3"	4"
CODE	10200003	10200004	10200006	10200008	10200010	10200011	10200013	10200015	10200017	10200019
PIECES PER BOX	10	10	6	6	4	2	2	-	-	-
PIECES PER CARTON	160	160	114	76	48	36	20	9	6	5

7050...

FOOT VALVE

CHECK VALVES



- Foot valve
- Female thread: ISO 228
- Temperature range: 0°C to +60°C

This valve is particularly indicated for use in suction lift pumps for the non-return of generally non-corrosive fluids that are compatible with the valve materials. Other excellent fields of application are in plant engineering for plumbing and heating, industry and agriculture. Seat seal is provided by a NBR gasket. It can only be installed vertically with the filter at the bottom.

COMPONENTS:

POSN.	PART NAME	No. Pcs.	MATERIAL
1	Body	1	CW617N UNI-EN 12165
2	Filter	1	Brass UNI-EN 1982-CB753S
3	Filter gasket	1	Fibre
4	Shutter	1	CW617N UNI-EN 12165
5	Seal gasket	1	NBR

DIMENSIONS:

DN	A	B	C	PN
15	1/2"	39	61	10
20	3/4"	45	70	10
25	1"	51	82	10
32	1.1/4"	61	95	8
40	1.1/2"	69	103	8
50	2"	80	121	8
65	2.1/2"	100	140	6
80	3"	121	175	6
100	4"	141	195	6

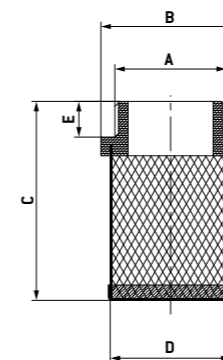
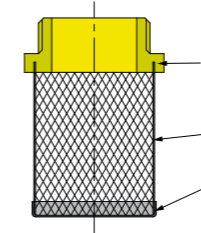
PACKAGING:

	1/2"	3/4"	1"	1.1/4"	1.1/2"	2"	2.1/2"	3"	4"
CODE	70500004	70500006	70500008	70500010	70500011	70500013	70500015	70500017	70500019
PIECES PER BOX	-	-	-	-	-	-	-	-	-
PIECES PER CARTON	150	100	60	60	50	30	25	20	9

1920...

CHECK VALVE STRAINER

CHECK VALVES



- Check valves strainer
- Male thread: ISO 228

COMPONENTS:

POSN.	PART NAME	No. Pcs.	MATERIAL
1	End connection	1	NYLON
2	Filter	1	AISI 304 stainless steel
3	Disc	1	AISI 304 stainless steel

DIMENSIONS:

DN	A	B	C	D	E
10	3/8"	22	48	18,5	7
15	1/2"	26	50	22	8
20	3/4"	32	57	28	9
25	1"	40	59	36	10
32	1.1/4"	49	68	43	11
40	1.1/2"	55	78	48,5	11
50	2"	68	90	60,5	12
65	2.1/2"	85,5	97	79	13
80	3"	97,5	111	92,5	14
100	4"	121	128	115	14

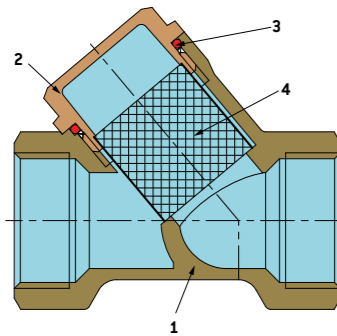
PACKAGING:

	3/8"	1/2"	3/4"	1"	1.1/4"	1.1/2"	2"	2.1/2"	3"	4"
CODE	19200003	19200004	19200006	19200008	19200010	19200011	19200013	19200015	19200017	19200019
PIECES PER BOX	50	40	20	15	-	-	-	-	-	-
PIECES PER CARTON	300	300	200	150	100	100	50	50	40	30

1905...

BRASS Y STRAINER

STRAINERS



- F/F brass Y strainer
- Strainer with 350 micron hole - 50 mesh
- Female/Female thread: ISO 228
- Temperature range: 0°C to +95°C

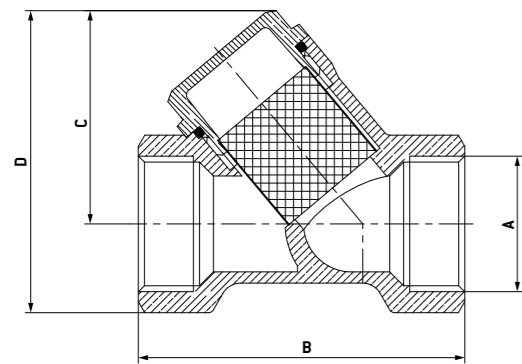
This strainer is particularly indicated for filtering generally non-corrosive fluids that are compatible with the valve materials. Other excellent fields of application are in plant engineering for plumbing and heating, industry, agriculture and pneumatics. The direction of flow is indicated by an arrow on the valve body. It can be installed either horizontally or vertically. Seat seal is provided by a NBR gasket.

COMPONENTS:

POSN.	PART NAME	No. Pcs.	MATERIAL
1	Body	1	CW617N UNI-EN 12165
2	Cap	1	CW617N UNI-EN 12164 (for 3/8" and 1/2") CW617N UNI-EN 12165 (3/4" to 2")
3	Cap gasket	1	NBR
4	Strainer	1	AISI 304 stainless steel

DIMENSIONS:

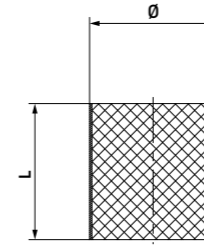
A	B	C	D	PN
10	3/8"	57	34	16
15	1/2"	57	34	16
20	3/4"	66	41	16
25	1"	80	51	16
32	1.1/4"	92	62	16
40	1.1/2"	101	69	16
50	2"	121	86	16



PACKAGING:

	3/8"	1/2"	3/4"	1"	1.1/4"	1.1/2"	2"
CODE	19050003	19050004	19050006	19050008	19050010	19050011	19050013
PIECES PER BOX	-	-	-	-	-	-	-
PIECES PER CARTON	150	150	100	50	50	35	20

BRASS STRAINER SPARE



- Stainless steel 350 micron - 50 mesh strainer cartridge for brass Y valves
- On request: strainers with 200 micron holes

DIMENSIONS:

SIZE	Ø=15 L=17	Ø=21 L=22	Ø=28 L=27	Ø=34 L=34	Ø=41 L=41	Ø=51 L=49
ACCESSORY CODE	19050004X390	19050006X390	19050008X390	19050010X390	19050011X390	19050013X390
1905	3/8" - 1/2"	3/4"	1"	1.1/4"	1.1/2"	2"

7759...

BOILER DRAIN VALVE

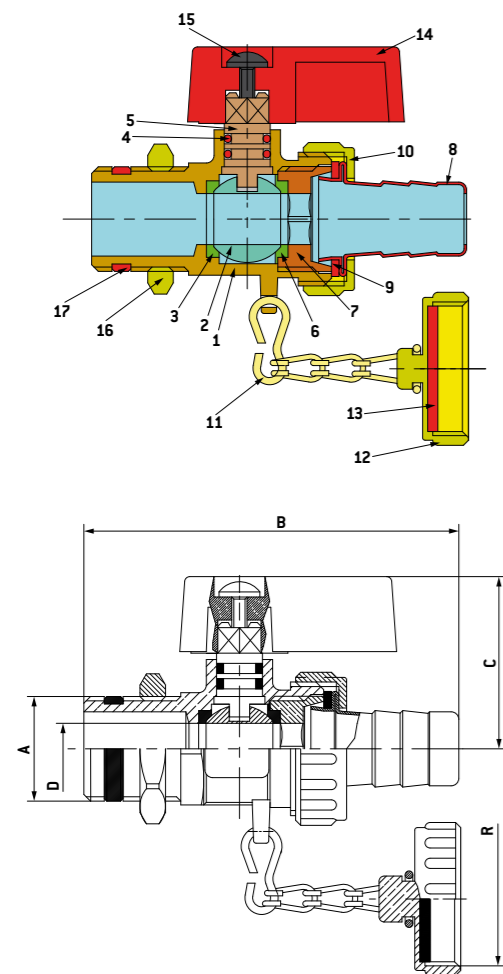
BOILER DRAIN VALVES



- Boiler drain valve
- 1/2" ball drain valve with lever
- Thread: ISO 228
- Temperature range: 0°C to +90°C

This valve is particularly indicated for shutting off generally non-corrosive fluids that are compatible with the valve materials. An excellent field of application is in plant engineering for plumbing and heating, especially as a means for discharging the heat carrier in the heating plant.

It is a reduced-bore valve and ball seal is provided by two PTFE seats. Seal of the manoeuvring part is provided by two NBR O-rings with the stem mounted from inside and a bottom-loaded system. It is advisable to perform a complete manoeuvring cycle at least once every 3 months to prevent the formation of limescale, which would affect operation.



COMPONENTS:

POSN.	PART NAME	No. Pcs.	MATERIAL
1	Body	1	CW617N UNI-EN 12165 Nickel-plated
2	Ball	1	CW617N UNI-EN 12164 Chrome-plated
3	Seal	1	PTFE
4	O-ring	2	NBR
5	Stem	1	CW617N UNI-EN 12164
6	Shaped retaining ring	1	PTFE
7	Ring	1	CW617N UNI-EN 12164 Nickel-plated
8	Hose connection	1	CW508L UNI-EN 1652 Nickel-plated
9	Pipe gasket	1	NBR
10	Fly nut	1	CW617N UNI-EN 12165 Nickel-plated
11	Chain	1	Brass iron
12	Cap	1	CW617N UNI-EN 12165 Nickel-plated
13	Cap gasket	1	NBR
14	Handle	1	Plastic
15	Screw	1	Steel
16	Nut	1	CW617N UNI-EN 12164 Nickel-plated
17	Gasket	1	PTFE

DIMENSIONS:

DN	A	B	C	D	R	PN
15	1/2"	75	33	10	3/4"	25

PACKAGING:

	1/2"
CODE	77591104
PIECES PER BOX	-
PIECES PER CARTON	150

7756...

BOILER DRAIN VALVE

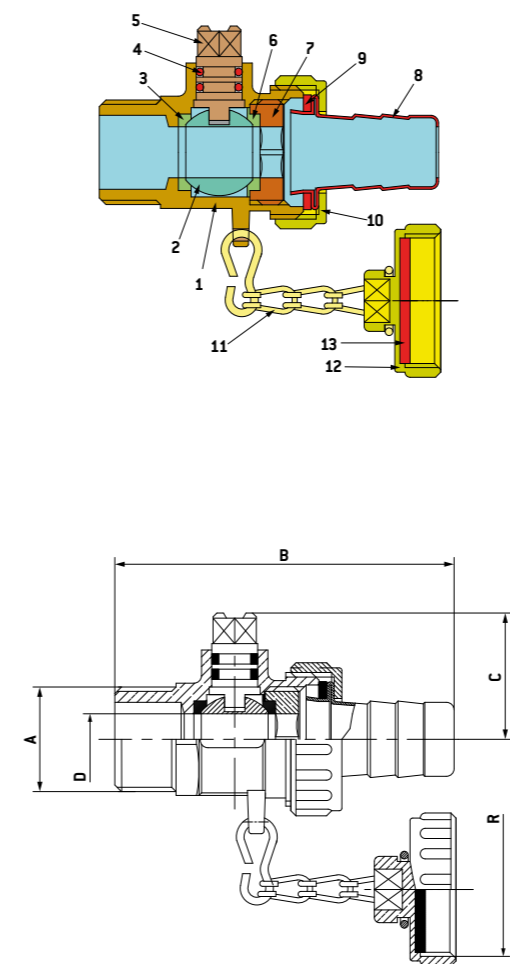
BOILER DRAIN VALVES



- 1/2" boiler drain valve with operating key in cap
- Finish: sandblasted
- Thread: ISO 228
- Temperature range: 0°C to +90°C

This valve is particularly indicated for shutting off generally non-corrosive fluids that are compatible with the valve materials. An excellent field of application is in plant engineering for plumbing and heating, especially as a means for discharging the heat carrier in the heating plant.

It is a reduced-bore valve and ball seal is provided by two PTFE seats. Seal of the manoeuvring part is provided by two NBR O-rings with the stem mounted from inside and a bottom-loaded system. It is advisable to perform a complete manoeuvring cycle at least once every 3 months to prevent the formation of limescale, which would affect operation.



COMPONENTS:

POSN.	PART NAME	No. Pcs.	MATERIAL
1	Body	1	CW617N UNI-EN 12165
2	Ball	1	CW617N UNI-EN 12164 Chrome-plated
3	Seal	1	PTFE
4	O-ring	2	NBR
5	Stem	1	CW617N UNI-EN 12164
6	Shaped retaining ring	1	PTFE
7	Ring	1	CW617N UNI-EN 12164
8	Hose connection	1	CW508L UNI-EN 1652
9	Pipe gasket	1	NBR
10	Fly nut	1	CW617N UNI-EN 12165
11	Chain	1	Brass iron
12	Cap	1	CW617N UNI-EN 12165
13	Cap gasket	1	NBR

DIMENSIONS:

DN	A	B	C	D	R	PN
15	1/2"	67	25	10	3/4"	25

PACKAGING:

	1/2"
CODE	77560004
PIECES PER BOX	-
PIECES PER CARTON	150

3960...

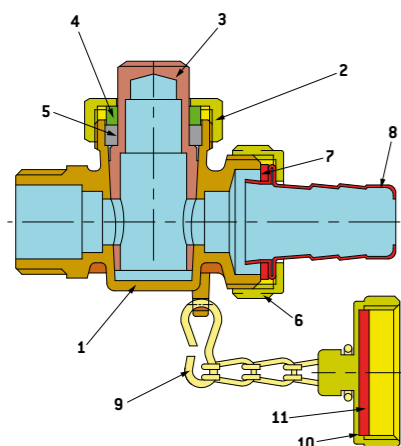
MALE TAPERED BOILER DRAIN VALVE

BOILER DRAIN VALVES



- Male tapered boiler drain valve with fly nut, pipe and cap
- Finish: sandblasted
- Thread: ISO 228
- Temperature range: -10°C to +90°C

This valve is particularly indicated for shutting off generally non-corrosive fluids that are compatible with the valve materials. An excellent field of application is in plant engineering for plumbing and heating, especially as a means for discharging the heat carrier in the heating plant.

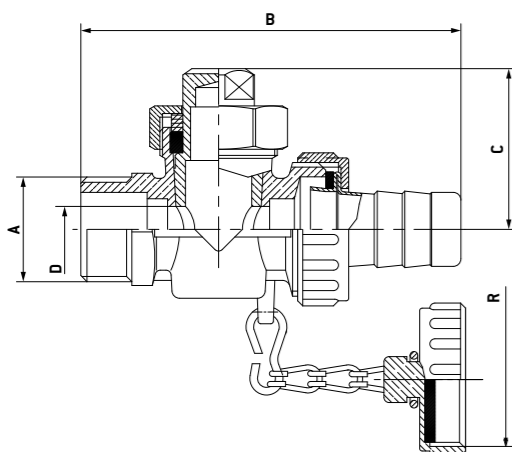


COMPONENTS:

POSN.	PART NAME	No. Pcs.	MATERIAL
1	Body	1	CW617N UNI-EN 12165
2	Nut	1	CW617N UNI-EN 12165
3	Cone	1	CW617N UNI-EN 12164
4	Gland	1	Plastic
5	Gasket	1	SGL Carbon
6	Fly nut	1	CW617N UNI-EN 12165
7	Pipe gasket	1	NBR
8	Hose connection	1	CW508L UNI-EN 1652
9	Chain	1	Brass iron
10	Cap	1	CW617N UNI-EN 12165
11	Cap gasket	1	NBR

DIMENSIONS:

DN	A	B	C	D	R	PN
10	3/8"	73	28	8	1/2"	10
15	1/2"	75	32	10	3/4"	10
20	3/4"	92	38	13,5	1"	10



PACKAGING:

	3/8"	1/2"	3/4"
CODE	39600003	39600004	39600006
PIECES PER BOX	-	-	-
PIECES PER CARTON	200	150	100

3970...

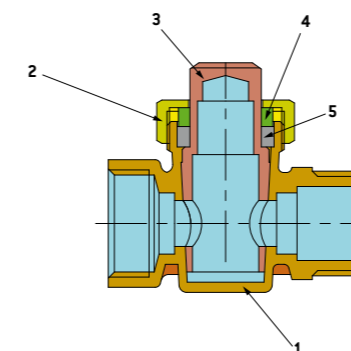
MALE TAPERED BOILER DRAIN VALVE

BOILER DRAIN VALVES



- Male tapered boiler drain valve, with male/female thread
- Finish: yellow
- Male/Female thread: ISO 228
- Temperature range: -10°C to +90°C

This valve is particularly indicated for shutting off generally non-corrosive fluids that are compatible with the valve materials. An excellent field of application is in plant engineering for plumbing and heating, especially as a means for discharging the heat carrier in the heating plant.

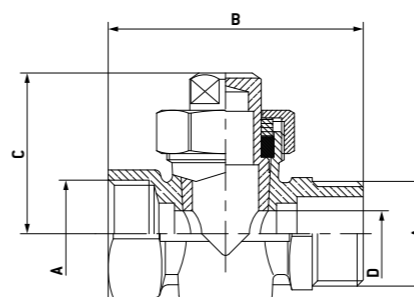


COMPONENTS:

POSN.	PART NAME	No. Pcs.	MATERIAL
1	Body	1	CW617N UNI-EN 12165
2	Nut	1	CW617N UNI-EN 12164
3	Cone	1	CW617N UNI-EN 12164
4	Gland	1	Plastic
5	Gasket	1	SGL carbon

DIMENSIONS:

DN	A	B	C	D	PN
10	3/8"	48	28	8	10
15	1/2"	47,5	32	10	10
20	3/4"	64,5	38	13,5	10



PACKAGING:

	3/8"	1/2"	3/4"
CODE	39700003	39700004	39700006
PIECES PER BOX	25	25	10
PIECES PER CARTON	250	250	200

3940...

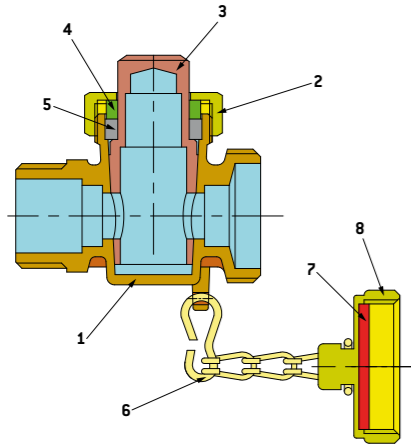
MALE TAPERED BOILER DRAIN VALVE

BOILER DRAIN VALVES



- Male tapered boiler drain valve with cap and chain
- Finish: sandblasted
- Thread: ISO 228
- Temperature range: -10°C to +90°C

This valve is particularly indicated for shutting off generally non-corrosive fluids that are compatible with the valve materials. An excellent field of application is in plant engineering for plumbing and heating, especially as a means for discharging the heat carrier in the heating plant.

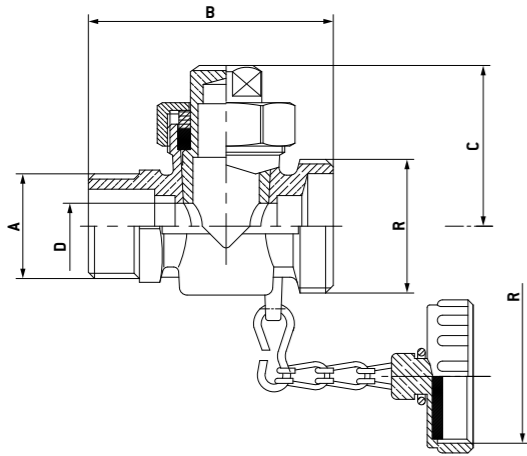


COMPONENTS:

POSN.	PART NAME	No. Pcs.	MATERIAL
1	Body	1	CW617N UNI-EN 12165
2	Nut	1	CW617N UNI-EN 12164
3	Cone	1	CW617N UNI-EN 12164
4	Gland	1	Plastic
5	Gasket	1	SGL Carbon
6	Chain	1	Brass iron
7	Cap gasket	1	NBR
8	Cap	1	CW617N UNI-EN 12165

DIMENSIONS:

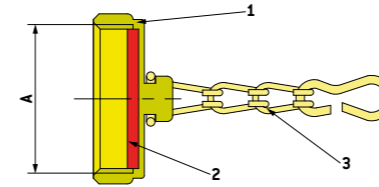
DN	A	B	C	D	R	PN
10	3/8"	47	28	8	1/2"	10
15	1/2"	48	32	10	3/4"	10
20	3/4"	60	38	13,5	1"	10



PACKAGING:

	3/8"	1/2"	3/4"
CODE	39400003	39400004	39400006
PIECES PER BOX	-	-	-
PIECES PER CARTON	150	150	100

YELLOW CAP AND CHAIN



- 3/4" cap for boiler drain valve with gasket and chain

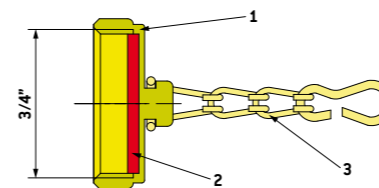
COMPONENTS:

POSN.	PART NAME	No. Pcs.	MATERIAL
1	Cap	1	CW617N UNI-EN 12165
2	Gasket	1	NBR
3	Chain	1	Brass iron

DIMENSIONS:

SIZE A	1/2"	3/4"	1"
ACCESSORY CODE	39400003XA	39400004XA	39400006XA
TO USE WITH 3940	3/8"	1/2"	3/4"
TO USE WITH 3960	3/8"	1/2"	3/4"
TO USE WITH 7759	-	1/2"	-

NICKEL-PLATED CAP AND CHAIN



- 3/4" cap for boiler drain valve with gasket and chain

COMPONENTS:

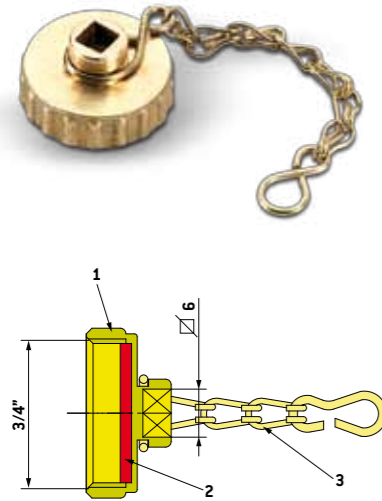
POSN.	PART NAME	No. Pcs.	MATERIAL
1	Cap	1	CW617N UNI-EN 12165 Nickel-plated
2	Gasket	1	NBR
3	Chain	1	Chain and Nickel-plated

DIMENSIONS:

SIZE	3/4"
ACCESSORY CODE	39401104XA

YELLOW CAP AND CHAIN WITH KEYS

• 3/4" cap for boiler drain valve with square key 6 mm with gasket and chain



COMPONENTS:

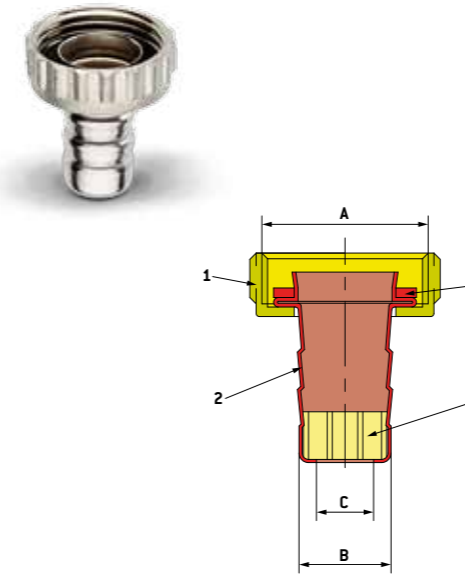
POSN.	PART NAME	No. Pcs.	MATERIAL
1	Cap	1	CW617N UNI-EN 12165
2	Gasket	1	NBR
3	Chain	1	Brass iron

DIMENSIONS:

SIZE	3/4"
ACCESSORY CODE	77560004XC

NICKEL-PLATED CONNECTOR AND FLY NUT

• Fly nut with hose-end pipe and nozzle for boiler drain valve



COMPONENTS:

POSN.	PART NAME	No. Pcs.	MATERIAL
1	Fly nut	1	CW617N UNI-EN 12165
2	Hose connection	1	CW508L UNI-EN 1652
3	Gasket	1	NBR
4	Nozzle	1	Nylon

DIMENSIONS:

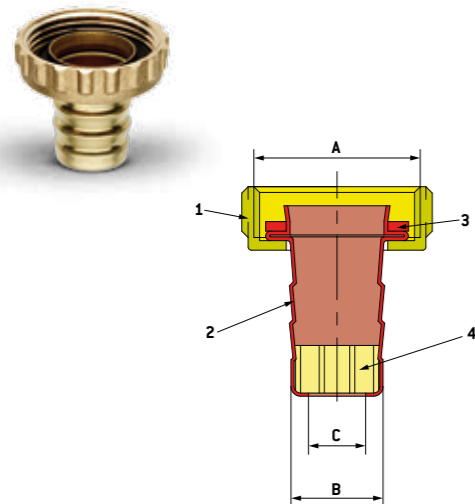
A	B	C
3/4"	14	10

DIMENSIONS:

SIZE	3/4"
ACCESSORY CODE	30900004
TO USE WITH 7759	1/2"

YELLOW CONNECTOR AND FLY NUT

• Fly nut with hose-end pipe and nozzle for boiler drain valve



COMPONENTS:

POSN.	PART NAME	No. Pcs.	MATERIAL
1	Fly nut	1	CW617N UNI-EN 12165
2	Hose connection	1	CW508L UNI-EN 1652
3	Gasket	1	NBR
4	Nozzle	1	Nylon

DIMENSIONS:

A	B	C
1/2"	13	10
3/4"	14	10
1"	20	13

DIMENSIONS:

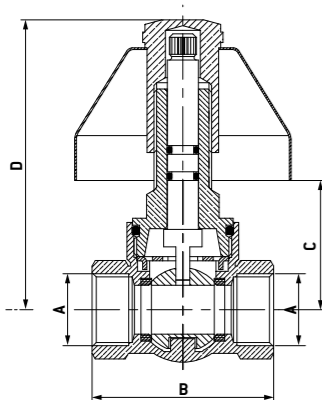
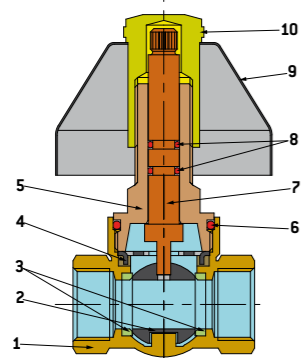
SIZE	1/2"	3/4"	1"
ACCESSORY CODE	30901003	30901004	30901006
TO USE WITH 3940	3/8"	1/2"	3/4"
TO USE WITH 3960	3/8"	1/2"	3/4"
TO USE WITH 7756	-	1/2"	-
TO USE WITH 7759	-	1/2"	-

Use with 3940. The nozzle is not used for code 30901003

8005...

BUILT-IN BALL VALVE

BUILT-IN TAPS



- Built-in ball valve with knob and cap
- Extractable stem and ball
- Female/Female thread: ISO 228
- Temperature range: 0°C to +95°C

This valve is particularly indicated for distributing and shutting off generally non-corrosive fluids that are compatible with the valve materials. An excellent field of application is in plant engineering for plumbing and heating, where it is used as a shut-off valve for built-in installation. It is a full-bore valve. Ball seal is provided by two PTFE seats, both of which can be removed together with the ball for maintenance purposes. Seal of the manoeuvring part is provided by two NBR O-rings. It is advisable to perform a complete manoeuvring cycle at least once every 3 months to prevent the formation of limescale, which would affect operation.

COMPONENTS:

POSN.	PART NAME	No. Pcs.	MATERIAL
1	Body	1	CW617N UNI EN 12165
2	Ball	1	CW617N UNI EN 12164 Chrome-plated
3	Seal	2	PTFE
4	Manoeuvre retainer	1	Stainless steel
5	Upper part	1	CW617N UNI EN 12165
6	Upper part O-ring	1	NBR
7	Stem	1	CW617N UNI EN 12164
8	Stem O-ring	2	NBR
9	Crowned cap	1	Chrome brass
10	Knob	1	CW617N UNI EN 12164 Chrome-plated

DIMENSIONS:

DN	A	B	C min	C max	D min	D max	PN
15	1/2"	62	36	51	83	96	40
20	3/4"	65	39	54	86	99	40

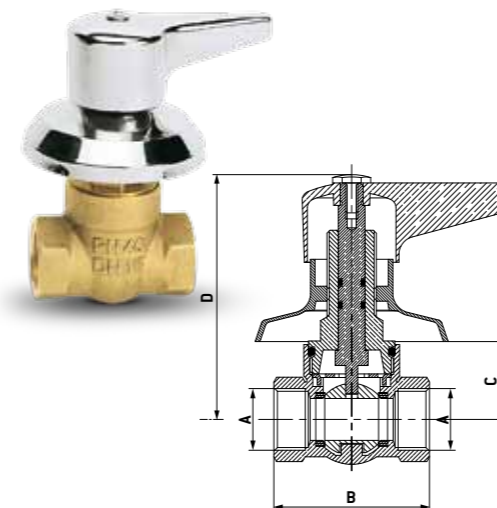
PACKAGING:

	1/2"	3/4"
CODE	80050004	80050006
PIECES PER BOX	8	6
PIECES PER CARTON	80	60
PRICE	13,78	17,18

8002...

BUILT-IN BALL VALVE

BUILT-IN TAPS



- Built-in ball valve with rosette and handle
- Extractable stem and ball
- Female/Female thread: ISO 228
- Temperature range: 0°C to +95°C

DIMENSIONS:

DN	A	B	C min	C max	D	PN
15	1/2"	62	26	40	79	40
20	3/4"	65	29	43	82	40

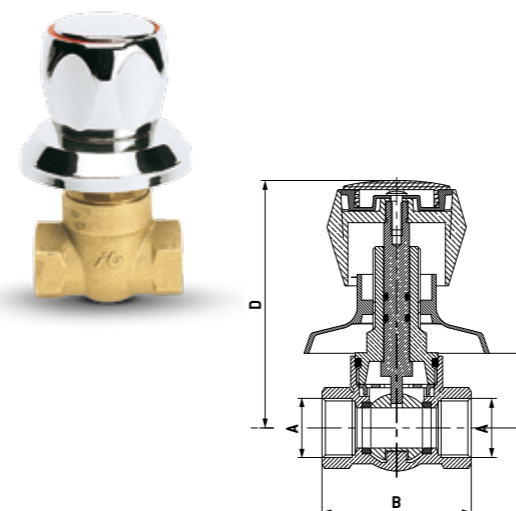
PACKAGING:

	1/2"	3/4"
CODE	80020004	80020006
PIECES PER BOX	8	6
PIECES PER CARTON	80	60
PRICE	13,95	17,35

8000...

BUILT-IN BALL VALVE

BUILT-IN TAPS



- Built-in ball valve with rosette and globe handle
- Extractable stem and ball
- Female/Female thread: ISO 228
- Temperature range: 0°C to +95°C

DIMENSIONS:

DN	A	B	C min	C max	D	PN
15	1/2"	62	23	38	86	40
20	3/4"	65	26	41	89	40

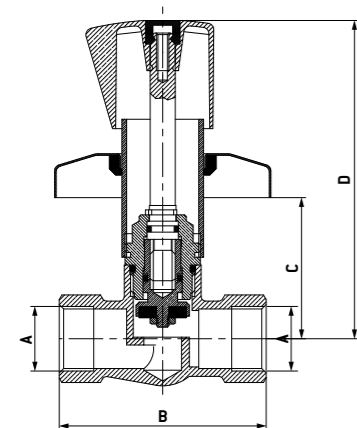
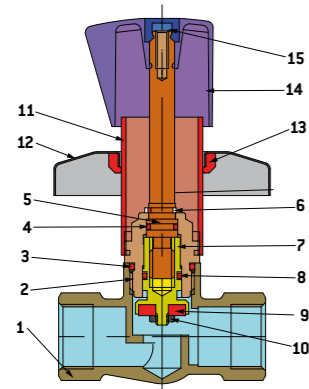
PACKAGING:

	1/2"	3/4"
CODE	80000004	80000006
PIECES PER BOX	8	6
PIECES PER CARTON	80	60
PRICE	14,58	17,95

3760...

BUILT-IN TAP

BUILT-IN TAPS



- Built-in tap with screw, handle and tips
- Female/Female thread: ISO 228
- Temperature range: 0°C to +95°C

This valve is particularly indicated for distributing, regulating and shutting off generally non-corrosive fluids that are compatible with the valve materials. An excellent field of application is in plant engineering for plumbing and heating, where it is used as a shut-off valve for built-in installation. Seat seal is provided by a NBR gasket.

COMPONENTS:

POSN.	PART NAME	No. Pcs.	MATERIAL
1	Body	1	CW617N UNI EN 12165
2	Upper part	1	CW617N UNI EN 12164
3	Upper part O-ring	1	NBR
4	Stem O-ring	1	NBR
5	Screw	1	CW617N UNI EN 12164
6	Snap ring	1	Phosphorous bronze
7	Valve	1	CW617N UNI EN 12164
8	Valve O-ring	1	NBR
9	Gasket	1	NBR
10	Nut	1	CW617N UNI EN 12164
11	U-bolt	1	Chrome brass
12	Rosette	1	Stainless steel
13	Rosette gasket	1	Rubber
14	Handle	1	Chrome zamak
15	Plate	1	Plastic

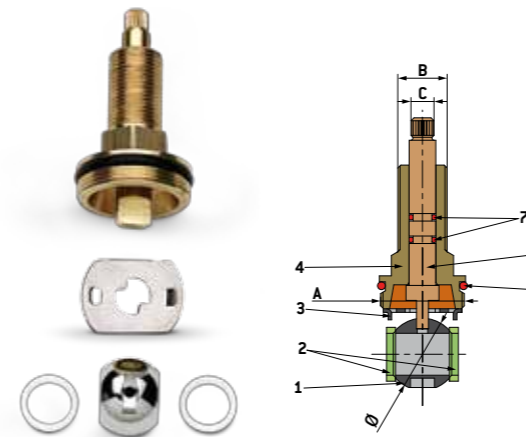
DIMENSIONS:

DN	A	B	C min	C max	D	PN
15	1/2"	66	18	50	102	16
20	3/4"	65	18	50	102	16

PACKAGING:

	1/2"	3/4"
CODE	37600004	37600006
PIECES PER BOX	8	8
PIECES PER CARTON	80	80
PRICE	10,70	11,10

VALVE REPAIR KIT



- Repair kit for built-in ball valve

COMPONENTS:

POSN.	PART NAME	No. Pcs.	MATERIAL
1	Ball	1	CW617N UNI EN 12164 Chrome-plated
2	Seal	2	PTFE
3	Manoeuvre retainer	1	Stainless steel
4	Upper part	1	CW617N UNI EN 12165
5	Upper part O-ring	1	NBR
6	Stem	1	CW617N UNI EN 12164
7	Stem O-ring	2	NBR

DIMENSIONS:

	A	B	C [Broach]	Ø Ball diameter
1/2"	28x19 Fil.	3/8"	8x20	24
3/4"	35x19 Fil.	3/8"	8x20	31

DIMENSIONS:

SIZE	1/2"	3/4"
ACCESSORY CODE	80000004XB	80000006XB
PRICE	5,01	6,23

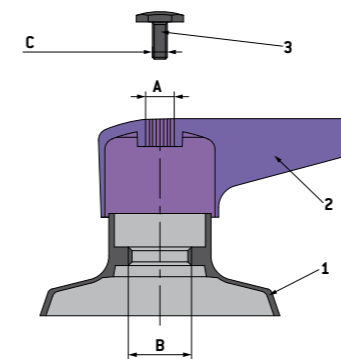
ROSETTE, HANDLE AND SCREW



- Rosette, Handle and screw

COMPONENTS:

POSN.	PART NAME	No. Pcs.	MATERIAL
1	Rosette	1	Chrome zamak
2	Handle	1	Chrome zamak
3	M3 screw	1	Steel



DIMENSIONS:

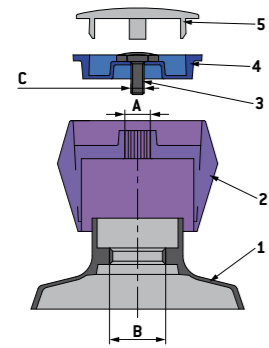
A	B	C
8x20 Broach	3/8"	M3

DIMENSIONS:

SIZE	8x20 Broach
ACCESSORY CODE	80020000XC
PRICE	5,57

ROSETTE AND HANDLE

- Rosette and globe handle



COMPONENTS:

POSN.	PART NAME	No. Pcs.	MATERIAL
1	Rosette	1	Chrome zamak
2	Handle	1	Chrome zamak
3	M3 screw	1	Steel
4	Coloured disc	1	Plastic (Red or blue)
5	Plate	1	Chrome plastic

DIMENSIONS:

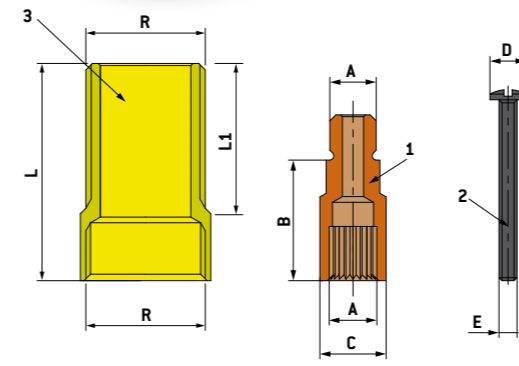
A	B	C
8x20 Broach	3/8"	M3

DIMENSIONS:

SIZE	8x20 Broach
ACCESSORY CODE	80000000XC

8010

EXTENSION



- Extension for built-in ball valve for handle and globe handle

COMPONENTS:

POSN.	PART NAME	No. Pcs.	MATERIAL
1	Extension	1	CW617N UNI EN 12164
2	M3 screw	1	Chrome brass
3	Stem extension		CW617N UNI EN 12164

DIMENSIONS:

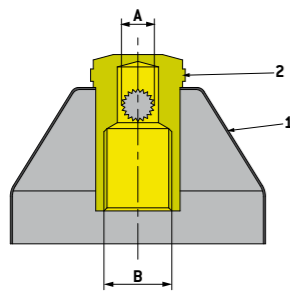
A	B	C	D	E	L	L1
8x20 Broach	20	11	8	M3	30	20

DIMENSIONS:

SIZE	8x20 Broach
ACCESSORY CODE	80100004

CAP AND KNOB

- Cap and broached knob for 1/2" and 3/4" valves



COMPONENTS:

POSN.	PART NAME	No. Pcs.	MATERIAL
1	Crowned cap	1	Chrome brass
2	Knob	1	CW617N UNI EN 12164 Chrome-plated

DIMENSIONS:

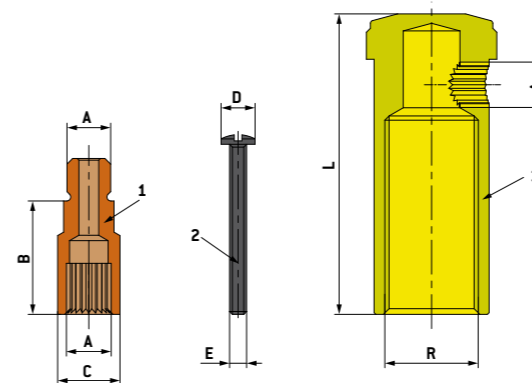
A	B
8x20 Broach	3/8"

DIMENSIONS:

SIZE	8x20 Broach
ACCESSORY CODE	80050000XC

8011

EXTENSION



- Extension for built-in ball valve with cap and knob

COMPONENTS:

POSN.	PART NAME	No. Pcs.	MATERIAL
1	Extension	1	CW617N UNI EN 12164
2	M3 screw	1	OT 63
3	Knob	1	CW617N UNI EN 12164

DIMENSIONS:

A	B	C	D	E	L	R
8x20 Broach	20	11	6	M3	53	3/8"

DIMENSIONS:

SIZE	8x20 Broach
ACCESSORY CODE	80110004

7300...

ARNO

BIBCOCK



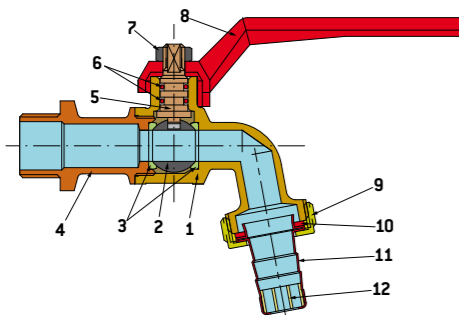
- Bibcock with aluminium lever and hose-end
- Thread: ISO 228
- Finish: sandblasted and nickel plated
- Temperature range: 0°C to +95°C

This tap is particularly indicated for distributing and shutting off generally non-corrosive fluids that are compatible with the valve materials. Excellent fields of application are plant engineering for plumbing and heating, industry and agriculture.

It is a reduced-bore tap and ball seal is provided by two PTFE seats.

Seal of the manoeuvring part is provided by two NBR O-rings with the stem mounted from inside and a bottom-loaded system.

It is advisable to perform a complete manoeuvring cycle at least once every 3 months to prevent the formation of limescale, which would affect operation.

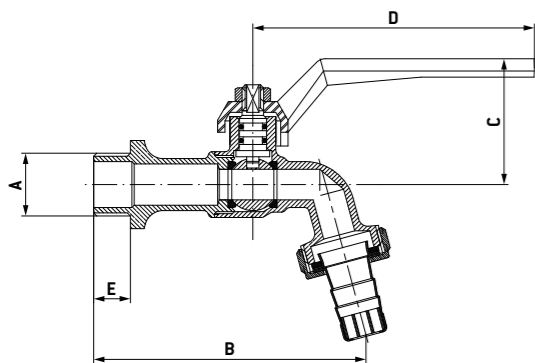


COMPONENTS:

POSN.	PART NAME	No. Pcs.	MATERIAL
1	Body	1	CW617N UNI-EN 12165 Nickel-plated
2	Ball	1	CW617N UNI-EN 12164 Chrome-plated
3	Seal	2	PTFE
4	Collar	1	CW617N UNI-EN 12165 Nickel-plated
5	Stem	1	CW617N UNI-EN 12164
6	O-ring	2	NBR
7	Nut	1	Galvanised iron
8	Lever	1	Lacquered aluminium
9	Fly nut	1	CW617N UNI-EN 12165 Nickel-plated
10	Pipe gasket	1	NBR
11	Pipe	1	CW508L UNI-EN 1652 Nickel-plated
12	Nozzle	1	Nylon

DIMENSIONS:

DN	A	B	C	D	E	PN
15	1/2"	89	40	92	12	20
20	3/4"	102	43	92	15	20
25	1"	126	45	92	16	20



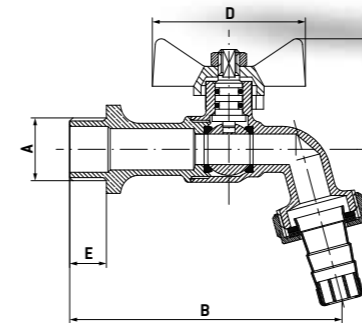
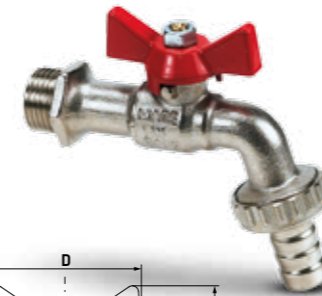
PACKAGING:

	1/2"	3/4"	1"
CODE	73000204R	73000206R	73000208R
PIECES PER BOX	12	10	6
PIECES PER CARTON	180	150	90

7350...

ARNO

BIBCOCK



- Bibcock with aluminium "T" handle and hose-end
- Thread: ISO 228
- Finish: nickel-plated
- Temperature range: 0°C to +95°C

DIMENSIONS:

DN	A	B	C	D	E	PN
15	1/2"	89	36	50	12	20
20	3/4"	102	39	50	15	20
25	1"	126	41	50	16	20

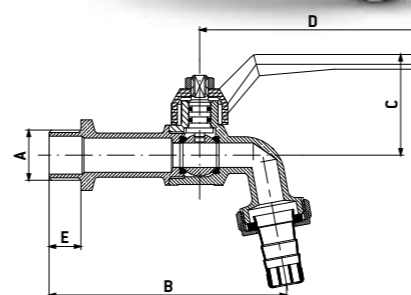
PACKAGING:

	1/2"	3/4"	1"
CODE	73500004R	73500006R	73500008R
PIECES PER BOX	15	10	6
PIECES PER CARTON	150	150	90

7855...

TEVERE

BIBCOCK



- Hose bibcock with aluminium lever and hose-end
- Thread: ISO 228
- Finish: nickel-plated
- Temperature range: 0°C to +95°C

DIMENSIONS:

DN	A	B	C	D	E	PN
10	3/8"	88	40	92	12	30
15	1/2"	97	40	92	13	30

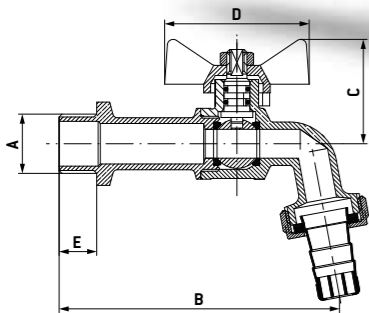
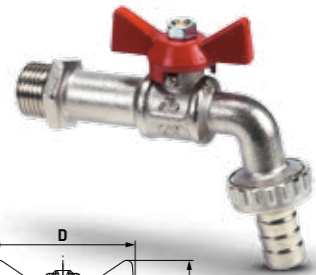
PACKAGING:

	3/8"	1/2"
CODE	78551103R	78551104R
PIECES PER BOX	12	10
PIECES PER CARTON	180	150

7850...

TEVERE

BIBCOCK



- Bibcock with aluminium "T" handle and hose-end
- Thread: ISO 228
- Finish: nickel-plated
- Temperature range: 0°C to +95°C

DIMENSIONS:

DN	A	B	C	D	E	PN
10	3/8"	88	36	50	12	30
15	1/2"	97	36	50	13	30

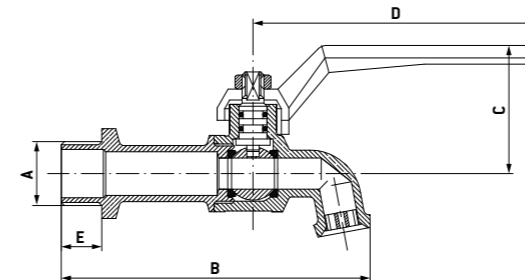
PACKAGING:

	3/8"	1/2"
CODE	78501103R	78501104R
PIECES PER BOX	15	15
PIECES PER CARTON	150	150

7775...

TEVERE

BIBCOCK



- Bibcock with nozzle and aluminium lever
- Thread: ISO 228
- Finish: sandblasted and chromed
- Temperature range: 0°C to +95°C

DIMENSIONS:

DN	A	B	C	D	E	PN
15	1/2"	97	40	92	13	30

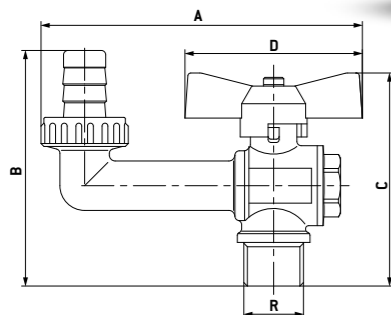
PACKAGING:

	1/2"
CODE	77751104R
PIECES PER BOX	15
PIECES PER CARTON	150

7320...

ARNO

BIBCOCK



- Garden ground ball valve with aluminium "T" handle and hose-end
- Thread: ISO 228
- Finish: sandblasted
- Temperature range for air: -15°C to +110°C
- Temperature range for water: 0°C to +80°C

DIMENSIONS:

DN	R	A	B	C	D	PN
15	1/2"	101	81	74	61	15
20	3/4"	111	92	79	61	15
25	1"	126	111	91	61	12

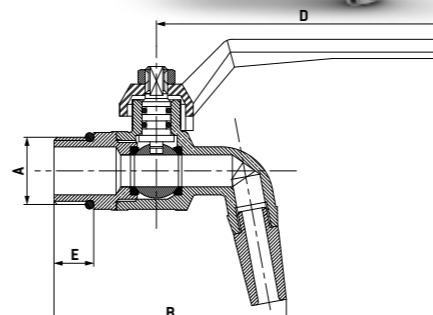
PACKAGING:

	1/2"	3/4"	1"
CODE	73200004	73200006	73200008
PIECES PER BOX	10	6	4
PIECES PER CARTON	100	60	40

7380...

TEVERE

BIBCOCK



- Bibcock with nozzle and aluminium lever
- Thread: ISO 228
- Finish: sandblasted and chromed
- Temperature range: 0°C to +95°C

DIMENSIONS:

DN	A	B	C	D	E	PN
10	3/8"	70	40	92	9	30
15	1/2"	73	40	92	12	30
20	3/4"	97	43	92	21	30

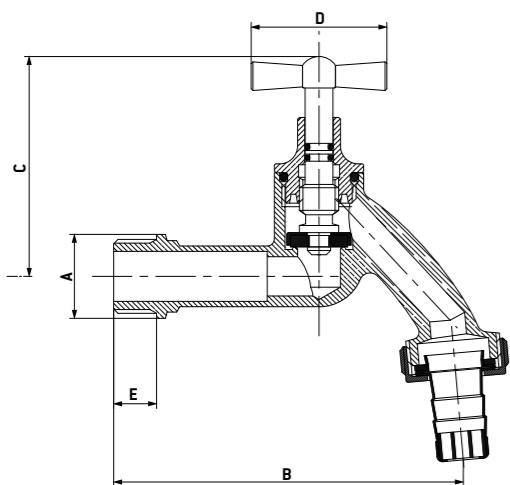
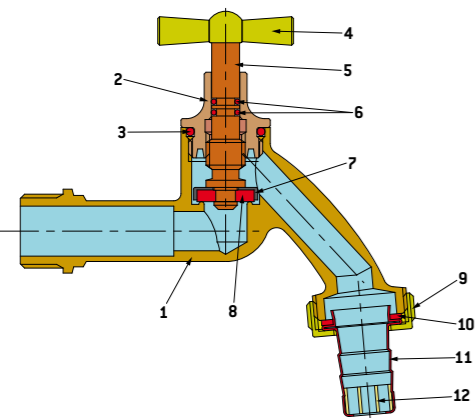
PACKAGING:

	3/8"	1/2"	3/4"
CODE	73800203R	73800204R	73800206R
PIECES PER BOX	20	20	10
PIECES PER CARTON	200	200	100

3570...

BIBCOCK WITH HOSE-END

BIBCOCK



- Bibcock with hose-end
- Thread: ISO 228
- Finishes available:
 - sandblasted code 357010
 - sandblasted and chromed code 357011
 - polished code 357012
 - polished and chromed code 357013
- Temperature range: 0°C to +90°C

This tap is particularly indicated for distributing and shutting off generally non-corrosive fluids that are compatible with the valve materials. Excellent fields of application are plant engineering for plumbing and heating, industry, agriculture and private construction. Seat seal is provided by a NBR gasket.

COMPONENTS:

POSN.	PART NAME	No. Pcs.	MATERIAL
1	Body	1	CW617N UNI-EN 12165
2	Upper part body	1	CW617N UNI-EN 12164
3	Upper part O-ring	1	NBR
4	Handle	1	CW617N UNI-EN 12164
5	Stem	1	CW617N UNI-EN 12164
6	Stem O-ring	2	NBR
7	Gasket disc	1	AISI 304 stainless steel
8	Gasket	1	NBR
9	Fly nut	1	CW617N UNI-EN 12165
10	Pipe gasket	1	NBR
11	Pipe	1	CW508L UNI-EN 1652
12	Nozzle	1	Nylon

DIMENSIONS:

DN	A	B	C open	C closed	D	E	PN
15	1/2"	100	68	61	38	12	8
20	3/4"	105	81	74	38	14	8

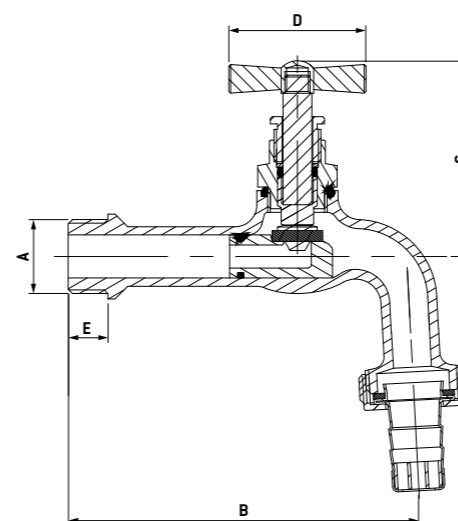
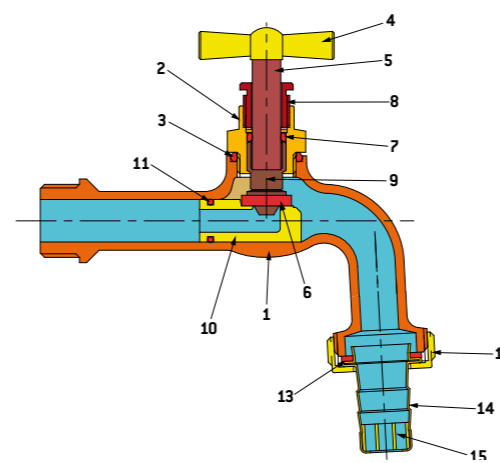
PACKAGING:

FINISHED	SANDBLASTED YELLOW		SANDBLASTED CHROMED		POLISHED YELLOW		POLISHED CHROMED	
	1/2"	3/4"	1/2"	3/4"	1/2"	3/4"	1/2"	3/4"
CODE	35701004	35701006	35701104	35701106	35701204	35701206	35701304	35701306
PIECES PER BOX	-	-	-	-	-	-	-	-
PIECES PER CARTON	80	50	80	50	80	50	80	50

3712...

BIBCOCK WITH HOSE-END

BIBCOCK



- Bibcock with hose-end
- Thread: ISO 228
- Finishes available:
 - sandblasted and chromed code 371211
 - polished code 371212
 - polished and chromed code 371213
- Temperature range: 0°C to +90°C

This tap is particularly indicated for distributing and shutting off generally non-corrosive fluids that are compatible with the valve materials. Excellent fields of application are plant engineering for plumbing and heating, industry, agriculture and private construction. Seat seal is provided by a NBR gasket.

COMPONENTS:

POSN.	PART NAME	No. Pcs.	MATERIAL
1	Body	1	CW617N UNI-EN 12165
2	Upper part body	1	CW617N UNI-EN 12164
3	Upper part O-ring	1	NBR
4	Handle	1	CW617N UNI-EN 12164
5	Stem	1	CW617N UNI-EN 12164
6	Gasket	1	NBR
7	O-ring	1	NBR
8	Nut gland	1	CW617N UNI-EN 12164
9	Valve	1	CW617N UNI-EN 12164
10	Insert	1	Plastic (1/2" - 3/4")
11	O-ring	1	NBR (1/2" - 3/4")
12	Fly nut	1	CW617N UNI-EN 12164
13	Pipe gasket	1	NBR
14	Pipe	1	CW508L UNI-EN 1652
15	Nozzle	1	Nylon

DIMENSIONS:

DN	A	B	C	D	E	PN
15	1/2"	105	68	43	12	8
20	3/4"	110	75	43	15	8
25	1"	140	80	43	17	8

PACKAGING:

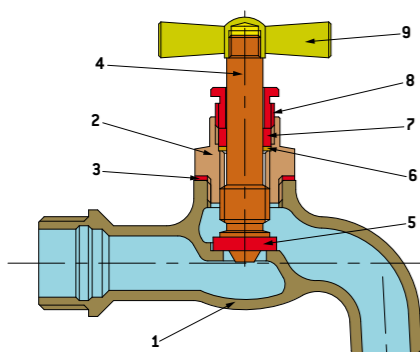
FINISHED	SANDBLASTED CHROMED			POLISHED YELLOW			POLISHED CHROMED		
	1/2"	3/4"	1"	1/2"	3/4"	1"	1/2"	3/4"	1"
CODE	37121104	37121106	37121108	37121204	37121206	37121208	37121304	37121306	37121308
PIECES PER BOX	10	5	3	10	5	3	10	5	3
PIECES PER CARTON	80	50	30	80	50	30	80	50	30

3700...

BIBCOCK WITH HOSE-END

BIBCOCK

- Bibcock
- Thread: ISO 228
- Finish: sandblasted
- Temperature range: 0°C to +90°C

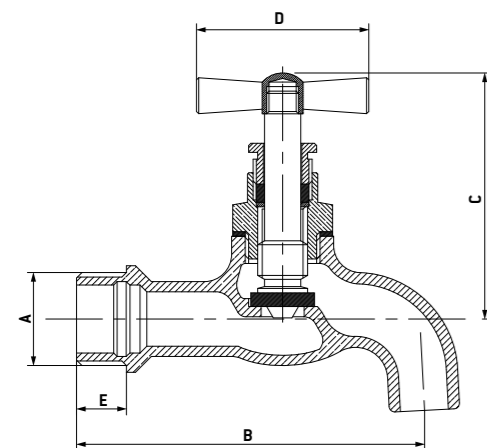


COMPONENTS:

POSN.	PART NAME	No. Pcs.	MATERIAL
1	Body	1	UNI-EN 1982-CB753S
2	Upper part body	1	CW617N UNI-EN 12164
3	Gasket upper part	1	Fiber
4	Stem	1	CW617N UNI-EN 12164
5	Gasket	1	NBR
6	Washer	1	Brass CuZn37
7	Gasket screw	1	NBR
8	Nut gland	1	CW617N UNI-EN 12164
9	Handle	1	CW617N UNI-EN 12164

DIMENSIONS:

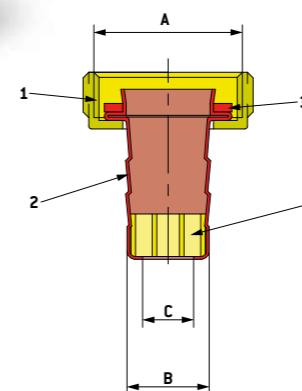
A	B	C open	C closed	D	E	PN
1/2"	77	59	51	38	11	8
3/4"	91	62	54	38	11	8



PACKAGING:

	1/2"	3/4"
CODE	37001004	37001006
PIECES PER BOX	-	-
PIECES PER CARTON	150	100

FLY NUT WITH PIPE



- Fly nut hose-end pipe and nozzle

COMPONENTS:

POSN.	PART NAME	No. Pcs.	MATERIAL
1	Fly nut	1	CW617N UNI-EN 12165
2	Pipe	1	CW508L UNI-EN 1652
3	Gasket	1	NBR
4	Nozzle	1	Nylon

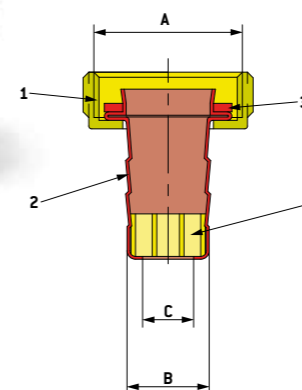
DIMENSIONS:

A	B	C
3/4"	14	10
1"	20	13
1.1/4"	25	18

DIMENSIONS:

SIZE	3/4"	1"	1.1/4"
ACCESSORY CODE	30901004	30901006	30901008
USE WITH 3570	1/2"	3/4"	1"
USE WITH 3712	1/2"	3/4"	1"

FLY NUT WITH PIPE



- Fly nut con tubetto portagomma e rompigitto nichelato

COMPONENTS:

POSN.	PART NAME	No. Pcs.	MATERIAL
1	Fly nut	1	CW617N UNI-EN 12165
2	Pipe	1	CW508L UNI-EN 1652
3	Gasket	1	NBR
4	Nozzle	1	Nylon

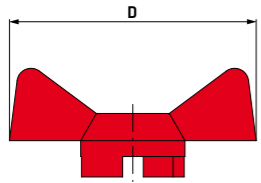
DIMENSIONS:

A	B	C
3/4"	14	10
1"	20	13
1.1/4"	25	18

DIMENSIONS:

SIZE	3/4"	1"	1.1/4"
ACCESSORY CODE	30900004	30900006	30900008
USE WITH 7300	1/2"	3/4"	1"
USE WITH 7350	1/2"	3/4"	1"
USE WITH 7850	3/8" - 1/2"	3/4"	-
USE WITH 7855	3/8" - 1/2"	3/4"	-
USE WITH 3570	1/2"	3/4"	-
USE WITH 3712	1/2"	3/4"	1"

"T" HANDLE

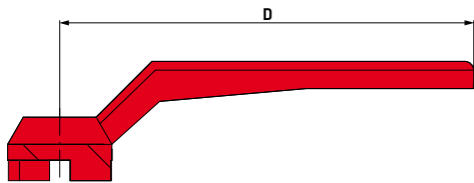


- "T" handle for bibcock

DIMENSIONS:

SIZE	D = 50 - HOLE 4
ACCESSORY CODE	76500002R401
7350	1/2" - 3/4" - 1"
7380	3/8" - 1/2" - 3/4"
7775	1/2"
7850	3/8" - 1/2" - 3/4"

ALUMINIUM LEVER



- Aluminium lever for bibcock

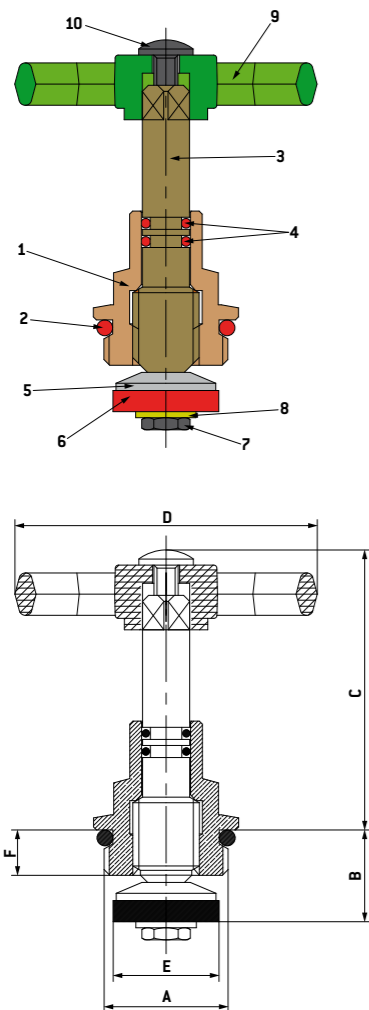
DIMENSIONS:

SIZE	D = 92 - HOLE 4
ACCESSORY CODE	76010204R490
7300	1/2" - 3/4" - 1"
7380	3/8" - 1/2" - 3/4"
7775	1/2"
7855	3/8" - 1/2" - 3/4"

7520XC...

UPPER PART FOR STOP VALVE

UPPER PARTS



- Upper part for stop valve - moving stem
- Male thread: ISO 228
- Temperature range: 0°C to +95°C

COMPONENTS:

POSN.	PART NAME	No. Pcs.	MATERIAL
1	Upper part body	1	CW617N UNI-EN 12164 (1/2"-3/4") CW617N UNI-EN 12165 (1" - 2")
2	Upper part O-ring	1	NBR
3	Upper part stem	1	CW617N UNI-EN 12164
4	Stem O-ring	2	NBR
5	Hose-end disc	1	CW617N UNI-EN 12164 (1/2" - 3/4") CW617N UNI-EN 12165 (1" - 2")
6	Gasket	1	NBR
7	Nut	1	CW617N UNI-EN 12164
8	Washer	1	CW508L UNI-EN 1652
9	Handwheel	1	Plastic
10	Screw	1	CW508L UNI-EN 12166

DIMENSIONS:

A	B min	B max	C min	C max	D	E	F	PN
1/2"	16,5	23	38,5	45	50	17	7,5	16
3/4"	17,5	26	41,5	50	50	22	8,5	16
1"	20	32,5	53,5	64	55	29	10,5	16
1.1/4"	22,5	44,5	70	92	55	37	12	16
1.1/2"	26,5	46	65,5	85	70	42	13	16
2"	25,5	56,5	87	118	70	55	14	16

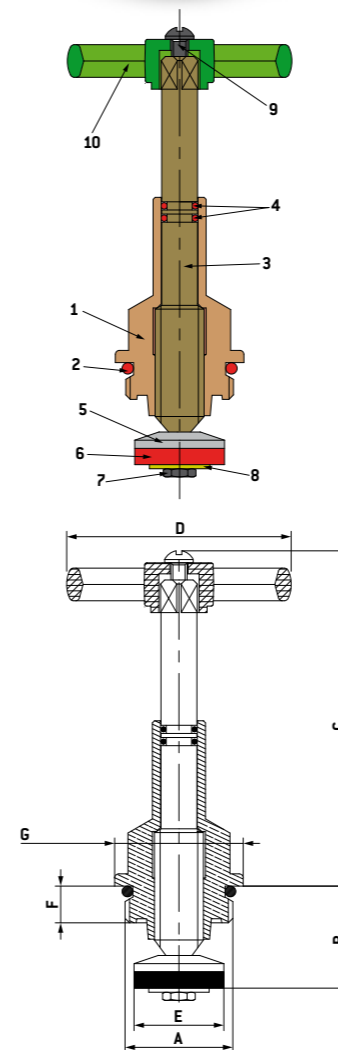
PACKAGING:

	1/2"	3/4"	1"	1.1/4"	1.1/2"	2"
CODE	75200004XC	75200006XC	75200008XC	75200010XC	75200011XC	75200013XC
PIECES PER BOX	-	-	-	-	-	-
PIECES PER CARTON	200	150	150	50	40	30

7480XC...

UPPER PART TO DIN 3502

UPPER PARTS



- Upper part to DIN 3502 - moving stem
- Male thread: ISO 228
- Temperature range: 0°C to +95°C

COMPONENTS:

POSN.	PART NAME	No. Pcs.	MATERIAL
1	Upper part body	1	CW617N UNI-EN 12164 (1/2"-3/4") CW617N UNI-EN 12165 (1" - 2")
2	Upper part O-ring	1	KTW-approved NBR
3	Upper part stem	1	CW617N UNI-EN 12164
4	Stem O-ring	2	KTW-approved NBR
5	Hose-end disc	1	CW617N UNI-EN 12164 (1/2" - 3/4") CW617N UNI-EN 12165 (1" - 2")
6	Gasket	1	KTW-approved NBR
7	Nut	1	CW617N UNI-EN 12164
8	Washer	1	CW508L UNI-EN 1652
9	Handwheel	1	Plastic
10	Screw	1	CW508L UNI-EN 12166

DIMENSIONS:

A	B min	B max	C min	C max	D	E	F	G	PN
1/2"	19	35	58	74	50	17	8	25,5	16
3/4"	24	43	64	83	55	22	9	31,5	16
1"	27	52	76	101	55	29	10,5	39,5	16
1.1/4"	31	63	89	121	70	37	12	49	16
1.1/2"	32	72	105	145	70	42	13	56	16
2"	40	90	126	176	70	55	14	68	16

PACKAGING:

	1/2"	3/4"	1"	1.1/4"	1.1/2"	2"
CODE	74800004XC	74800006XC	74800008XC	74800010XC	74800011XC	74800013XC
PIECES PER BOX	-	-	-	-	-	-
PIECES PER CARTON	250	175	80	50	40	30

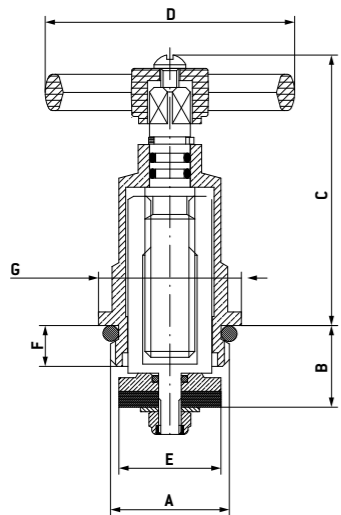
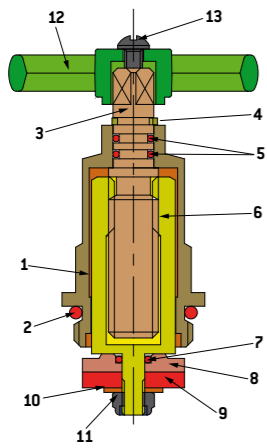
7500XC...

UPPER PART TO DIN 3502

UPPER PARTS



AVAILABLE ON DEMAND



- Upper part to DIN 3502 - Fixed stem
- Male thread: ISO 228
- Temperature range: 0°C to +95°C

COMPONENTS:

POSN.	PART NAME	No. Pcs.	MATERIAL
1	Upper part body	1	CW617N UNI-EN 12164 (1/2"-3/4") CW617N UNI-EN 12165 (1" - 2")
2	Upper part O-ring	1	KTW-approved NBR
3	Upper part stem	1	CW617N UNI-EN 12164
4	Snap ring	1	Phosphorous bronze
5	O-ring	2	KTW-approved NBR
6	Valve	1	CW617N UNI-EN 12164
7	O-ring	1	KTW-approved NBR
8	Hose-end disc	1	CW617N UNI-EN 12164
9	Gasket	1	KTW-approved NBR
10	Washer	1	CW508L UNI-EN 1652
11	Self-locking nut	1	Brass + Plastic
12	Handwheel	1	Plastic
13	Screw	1	CW508L UNI-EN 12166

DIMENSIONS:

A	B min	B max	C	D	E	F	G	PN
1/2"	17	35	53	50	17	8	25,5	16
3/4"	19	43	59	55	22	9	31,5	16
1"	20	52	70	55	29	10,5	39,5	16
1.1/4"	21,5	63	82	70	37	11	49	16
1.1/2"	23	72	87	70	42	12	56	16
2"	26	90	97	70	55	14	68	16

PACKAGING:

	1/2"	3/4"	1"	1.1/4"	1.1/2"	2"
CODE	75000004XC	75000006XC	75000008XC	75000010XC	75000011XC	75000013XC
PIECES PER BOX	-	-	-	-	-	-
PIECES PER CARTON	250	150	80	60	40	20

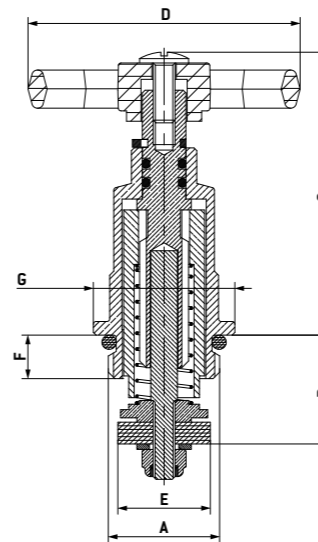
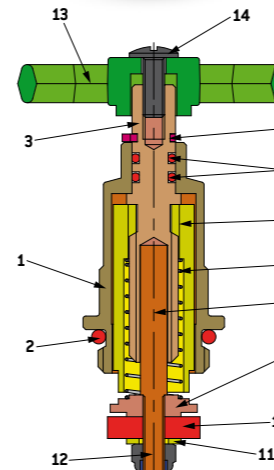
7550XC...

UPPER PART WITH SPRING

UPPER PARTS



AVAILABLE ON DEMAND



- Upper part with spring - fixed stem
- Male thread: ISO 228
- Temperature range: 0°C to +95°C

COMPONENTS:

POSN.	PART NAME	No. Pcs.	MATERIAL
1	Upper part body	1	CW617N UNI-EN 12164 (1/2"-3/4") CW617N UNI-EN 12165 (1" - 2")
2	Upper part O-ring	1	KTW-approved NBR
3	Upper part stem	1	CW617N UNI-EN 12164
4	Snap ring	1	Phosphorous bronze
5	O-ring	2	KTW-approved NBR
6	Valve	1	CW617N UNI-EN 12164
7	Spring	1	ACCIAIO INOX AISI 302
8	Hose-end stem	1	CW617N UNI-EN 12164
9	Hose-end disc	1	CW617N UNI-EN 12164
10	Gasket	1	KTW-approved NBR
11	Washer	1	CW508L UNI-EN 1652
12	Self-locking nut	1	Brass + Plastic
13	Handwheel	1	Plastic
14	Screw	1	CW508L UNI-EN 12166

DIMENSIONS:

A	B min	B max	C	D	E	F	G	PN
1/2"	17	35	53	50	17	8	25,5	16
3/4"	19	43	59	55	22	9	31,5	16
1"	20	52	70	55	29	10,5	39,5	16
1.1/4"	21,5	63	82	70	37	11	49	16
1.1/2"	23	72	87	70	42	12	56	16
2"	26	90	97	70	55	14	68	16

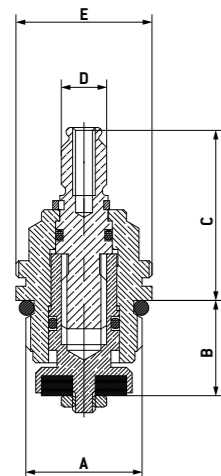
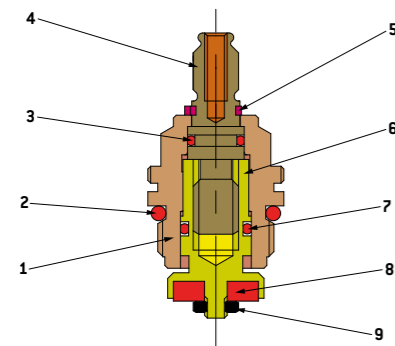
PACKAGING:

	1/2"	3/4"	1"	1.1/4"	1.1/2"	2"
CODE	75500004XC	75500006XC	75500008XC	75500010XC	75500011XC	75500013XC
PIECES PER BOX	-	-	-	-	-	-
PIECES PER CARTON	250	150	80	60	40	20

2470...

3-PIECE UPPER PART

Upper parts



- 3-piece upper part - fixed stem
- Male thread: ISO 228
- Temperature range: 0°C to +95°C

COMPONENTS:

POSN.	PART NAME	No. Pcs.	MATERIAL
1	Upper part body	1	CW617N UNI-EN 12164
2	Upper part O-ring	1	NBR
3	Stem O-ring	1	NBR
4	Screw	1	CW617N UNI-EN 12164
5	Snap ring	1	Phosphorous bronze
6	Valve	1	CW617N UNI-EN 12164
7	Valve O-ring (only 1/2")	1	NBR
8	Gasket	1	NBR
9	Nut	1	CW617N UNI-EN 12164

DIMENSIONS:

A	B min	B max	C	D	E	PN
3/8"	16,3	22,5	26	8x20 Broach	M21x1	16
1/2"	16,8	23,5	30,5	8x20 Broach	M24x1	16

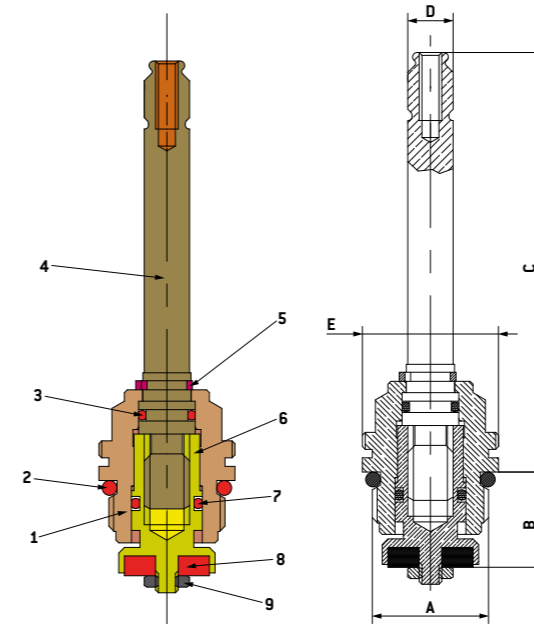
PACKAGING:

	3/8"	1/2"
CODE	24700003	24700004
PIECES PER BOX	-	-
PIECES PER CARTON	800	400

2475...

3-PIECE UPPER PART

Upper parts



- Upper part with long fixed stem
- Male thread: ISO 228
- Temperature range: 0°C to +95°C

COMPONENTS:

POSN.	PART NAME	No. Pcs.	MATERIAL
1	Upper part body	1	CW617N UNI-EN 12164
2	Upper part O-ring	1	NBR
3	Stem O-ring	1	NBR
4	Screw	1	CW617N UNI-EN 12164
5	Thread gasket	1	Phosphorous bronze
6	Nut gland	1	CW617N UNI-EN 12164
7	O-ring valve	1	NBR
8	Gasket	1	NBR
9	Nut	1	CW617N UNI-EN 12164

DIMENSIONS:

A	B min	B max	C	D	E	PN
1/2"	16,8	23,5	75	Broccia 8x20	M24x1	16

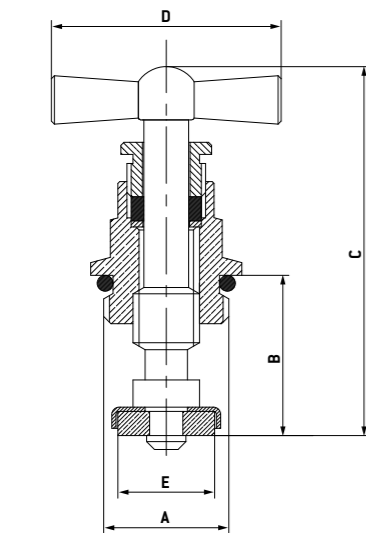
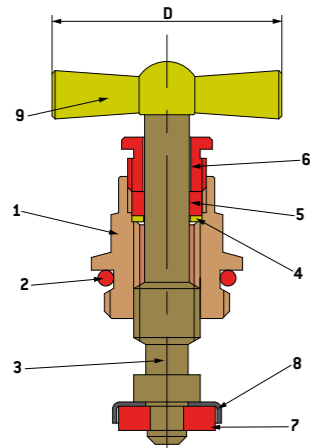
PACKAGING:

	1/2"
CODE	24750004
PIECES PER BOX	-
PIECES PER CARTON	300

2490...

UPPER PART MOVING STEM

UPPER PARTS



- Upper part moving stem with lever
- Male thread: ISO 228
- Temperature range: 0°C to +95°C

COMPONENTS:

POSN.	PART NAME	No. Pcs.	MATERIAL
1	Upper part body	1	CW617N UNI-EN 12164
2	Upper part gasket	1	For 1/2" gasket O-ring in NBR For 3/8" flat gasket in fiber
3	Screw	1	CW617N UNI-EN 12164
4	Washer	1	CW508L UNI-EN 1652
5	Gasket	1	NBR
6	Nut	1	CW617N UNI-EN 12164
7	Gasket	1	NBR
8	Hose-end disc	1	INOX AISI 304 stainless steel (only 1/2")
9	Lever	1	CW617N UNI-EN 12164

DIMENSIONS:

A	B min	B max	C	D	E	PN
3/8"	9	16	52	38	13	16
1/2"	16,5	27	60	38	16	16

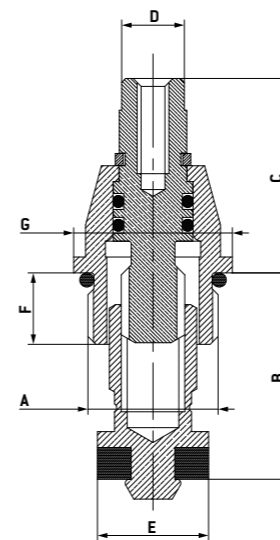
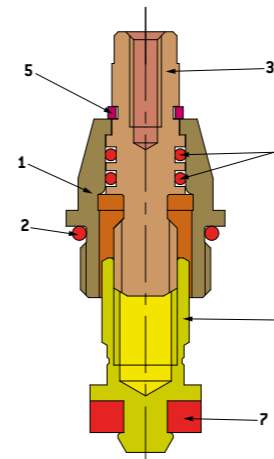
PACKAGING:

	3/8"	1/2"
CODE	24900003	24900004
PIECES PER BOX	-	-
PIECES PER CARTON	500	400

37500003...

UPPER PART TO 3/8"

UPPER PARTS



- 3/8" upper part for manifold - fixed stem
- Male thread: ISO 228
- Temperature range: 0°C to +95°C

COMPONENTS:

POSN.	PART NAME	No. Pcs.	MATERIAL
1	Upper part body	1	CW617N UNI-EN 12164
2	Upper part O-ring	1	EPDM PEROX
3	Screw	1	CW617N UNI-EN 12164
4	Stem O-ring	2	EPDM PEROX
5	Snap ring	1	Phosphorous bronze
6	Valve	1	CW617N UNI-EN 12164
7	Gasket	1	EPDM PEROX

DIMENSIONS:

A	B min	B max	C	D	E	F	G	PN
3/8"	18	26	24,5	Square 6	14	9	20	16

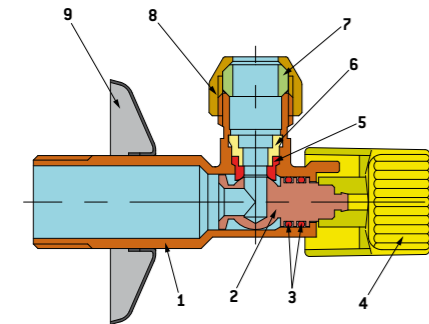
PACKAGING:

	3/8"
CODE	37500003
PIECES PER BOX	-
PIECES PER CARTON	400

7670...

UNDER-BASIN TAP

Under-basin tap



- Under-basin tap
- Male thread: ISO 228
- Temperature range: 0-80°C

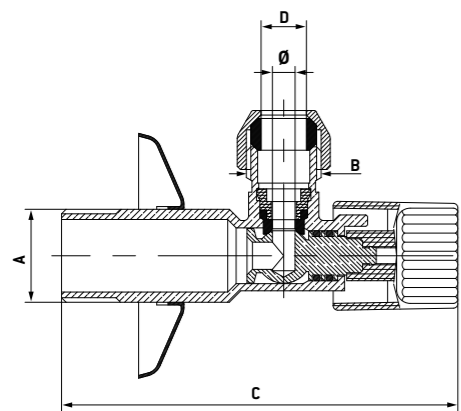
This tap is particularly indicated for distributing, regulating and shutting off generally non-corrosive fluids that are compatible with the valve materials. An excellent field of application is in plant engineering for plumbing and heating, where it is generally used as a shut-off valve installed before taps, mixers or flushing cisterns. Seat seal is provided by a NBR gasket.

COMPONENTS:

POSN.	PART NAME	No. Pcs.	MATERIAL
1	Body	1	CW617N UNI-EN 12165 Chrome-plated
2	Stem with ball	1	CW617N UNI-EN 12164
3	O-ring	2	EPDM PEROX
4	Handle	1	Chrome ABS
5	Shaped gasket	1	NBR
6	Snap seal	1	Nylon
7	Olive	1	PTFE
8	Nut	1	CW617N UNI-EN 12164 Chrome-plated
9	Rosette	1	Stainless steel

DIMENSIONS:

A	B	C	D	Ø	PN
1/2"	3/8"	87	10	6	10
1/2"	1/2"	87	14	6	10



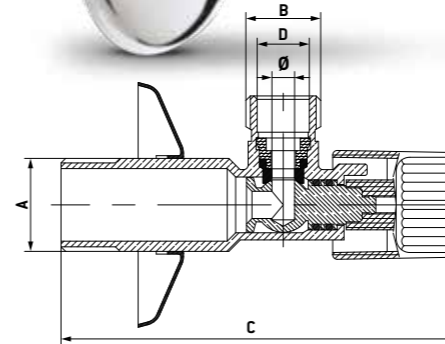
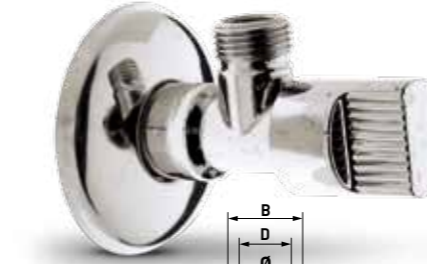
PACKAGING:

	1/2"x3/8"	1/2"x1/2"
CODE	76700603	76700604
PIECES PER BOX	-	-
PIECES PER CARTON	150	150

7671...

UNDER-BASIN TAP

Under-basin tap



- Under-basin tap without nut and olive
- Male thread: ISO 228
- Temperature range: 0-80°C

DIMENSIONS:

A	B	C	D	Ø	PN
1/2"	3/8"	87	11	6	10
1/2"	1/2"	87	14,5	6	10

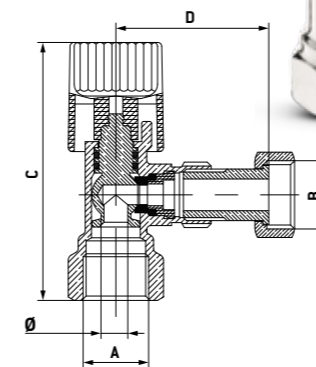
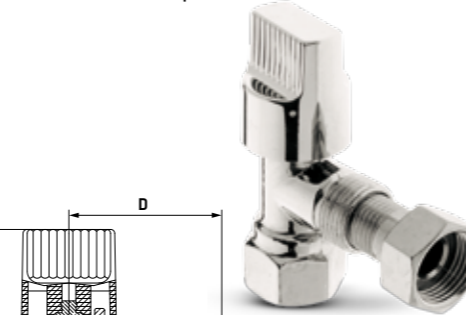
PACKAGING/PRICE:

	1/2"x3/8"	1/2"x1/2"
CODE	76710603	76710604
PIECES PER BOX	-	-
PIECES PER CARTON	150	150

7667...

TOILET TANK VALVE

Under-basin tap



- Toilet tank valve, 3/8" x 3/8"
- Male thread: ISO 228
- Temperature range: 0-80°C

DIMENSIONS:

A	B	C	D	Ø	PN
3/8"	3/8"	65	39	6	10

PACKAGING:

	3/8"
CODE	76670603
PIECES PER BOX	-
PIECES PER CARTON	150

7830...

WASHING MACHINE BALL VALVE

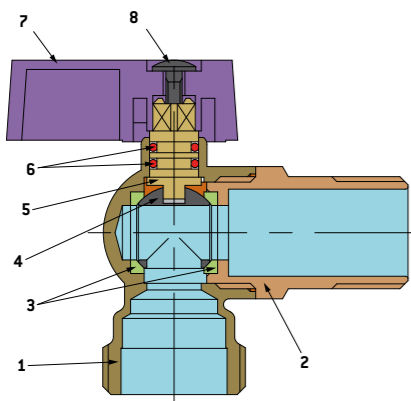
WASHING MACHINE TAP



- Washing machine ball valve
- Male thread: ISO 228
- Temperature range: 0-80°C

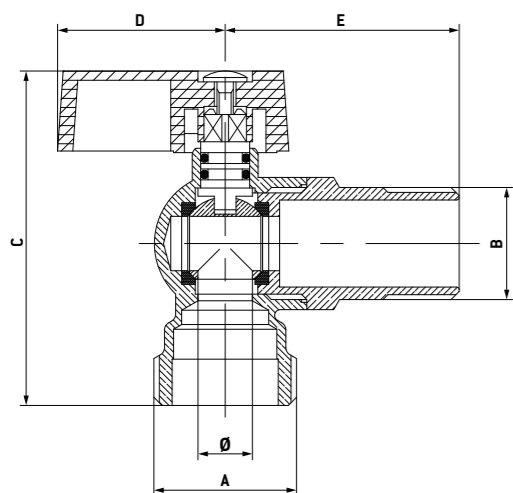
This tap is particularly indicated for distributing and shutting off generally non-corrosive fluids that are compatible with the valve materials. An excellent field of application is in plant engineering for plumbing and heating, where it is generally used as a shut-off tap installed before washing machines or dishwashers.

It is a reduced-bore valve and ball seal is provided by two PTFE seats. Seal of the manoeuvring part is provided by two NBR O-rings with the stem mounted from the inside and a bottom-loaded system. It is advisable to perform a complete manoeuvring cycle at least once every 3 months to prevent the formation of limescale, which would affect operation.



COMPONENTS:

POSN.	PART NAME	No. Pcs.	MATERIAL
1	Body	1	CW617N UNI-EN 12165 Chrome-plated
2	Connection	1	CW617N UNI-EN 12164 Chrome-plated
3	Retaining ring	2	PTFE
4	Ball	1	CW617N UNI-EN 12164 Chrome-plated
5	Stem	1	CW617N UNI-EN 12164
6	O-ring	2	NBR
7	Handle	1	Chrome ABS
8	Screw	1	Stainless steel



DIMENSIONS:

A	B	C	D	E	Ø	PN
3/4"	1/2"	67	31	43	10	10

PACKAGING:

	3/4"
CODE	78300006
PIECES PER BOX	-
PIECES PER CARTON	150

7831...

WASHING MACHINE BALL VALVE

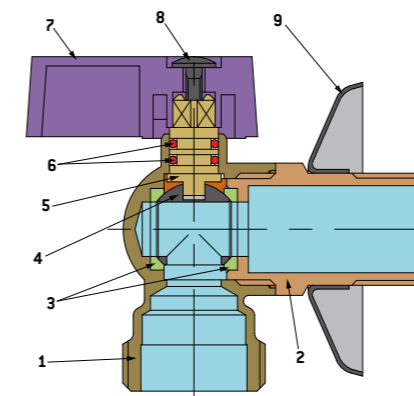
WASHING MACHINE TAP



- Washing machine ball valve
- Male thread: ISO 228
- Temperature range: 0-80°C

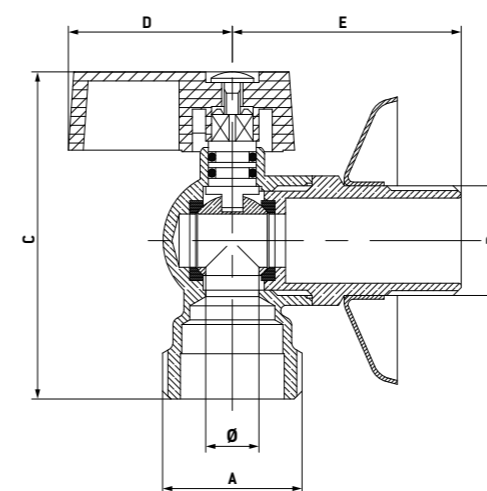
This tap is particularly indicated for distributing and shutting off generally non-corrosive fluids that are compatible with the valve materials. An excellent field of application is in plant engineering for plumbing and heating, where it is generally used as a shut-off tap installed before washing machines or dishwashers.

It is a reduced-bore valve and ball seal is provided by two PTFE seats. Seal of the manoeuvring part is provided by two NBR O-rings with the stem mounted from the inside and a bottom-loaded system. It is advisable to perform a complete manoeuvring cycle at least once every 3 months to prevent the formation of limescale, which would affect operation.



COMPONENTS:

POSN.	PART NAME	No. Pcs.	MATERIAL
1	Body	1	CW617N UNI-EN 12165 Chrome-plated
2	Connection	1	CW617N UNI-EN 12164 Chrome-plated
3	Retaining ring	2	PTFE
4	Ball	1	CW617N UNI-EN 12164 Chrome-plated
5	Stem	1	CW617N UNI-EN 12164
6	O-ring	2	NBR
7	Handle	1	Chrome ABS
8	Screw	1	Stainless steel
9	Rosette	1	Stainless steel



DIMENSIONS:

A	B	C	D	E	Ø	PN
3/4"	1/2"	67	31	43	10	10

PACKAGING:

	3/4"
CODE	78310006
PIECES PER BOX	-
PIECES PER CARTON	100

4060...

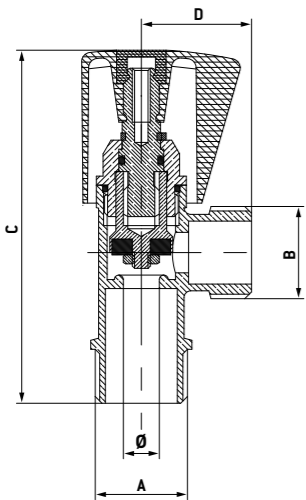
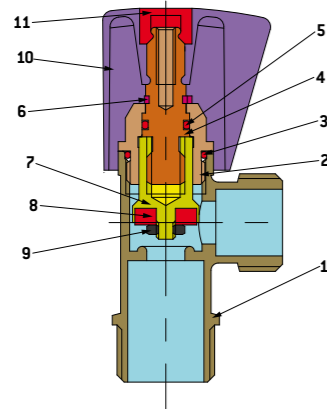
UNDER-BASIN TAP

Under-basin tap



- Under-basin with fixed stem
- Male/Male thread: ISO 228
- Temperature range: 0-80°C

This tap is particularly indicated for distributing, regulating and shutting off generally non-corrosive fluids that are compatible with the valve materials. An excellent field of application is in plant engineering for plumbing and heating, where it is generally used as a shut-off valve installed before taps, mixers or flushing cisterns. Seat seal is provided by a NBR gasket.



COMPONENTS:

POSN.	PART NAME	No. Pcs.	MATERIAL
1	Body	1	CW617N UNI-EN 12165 Chrome-plated
2	Upper part	1	CW617N UNI-EN 12164
3	Upper part O-ring	1	NBR
4	Stem	1	CW617N UNI-EN 12164
5	Stem O-ring	1	NBR
6	Snap ring	1	Phosphorous bronze
7	Valve	1	CW617N UNI-EN 12164
8	Gasket	1	NBR
9	Nut	1	CW617N UNI-EN 12164
10	Handle	1	Chrome zamak
11	Coloured plate	1	Plastic (blue or red)

DIMENSIONS:

A	B	C	D	Ø	PN
1/2"	1/2"	79	25	8	10

PACKAGING:

	1/2"
CODE	40600004
PIECES PER BOX	15
PIECES PER CARTON	150

4080...

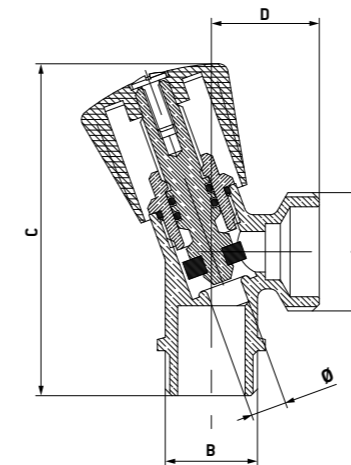
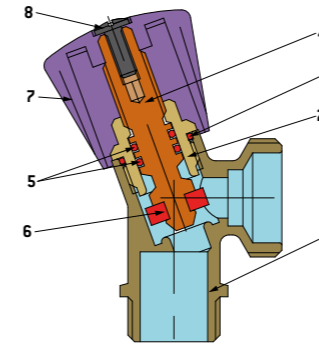
WASHING MACHINE TAP

Washing machine tap



- Washing machine tap
- Male/Male thread: ISO 228
- Temperature range: 0-80°C

This tap is particularly indicated for distributing, regulating and shutting off generally non-corrosive fluids that are compatible with the valve materials. An excellent field of application is in plant engineering for plumbing and heating, where it is generally used as a shut-off tap installed before washing machines or dishwashers. Seat seal is provided by a NBR gasket.



COMPONENTS:

POSN.	PART NAME	No. Pcs.	MATERIAL
1	Body	1	CW617N UNI-EN 12165 Chrome-plated
2	Body Upper part	1	CW617N UNI-EN 12164
3	Upper part O-ring	1	NBR
4	Upper part stem	1	CW617N UNI-EN 12164
5	Stem O-ring	2	NBR
6	Seal	1	NBR
7	Handle	1	Chrome ABS
8	Screw	1	CW508L UNI-EN 12166 Nickel-plated

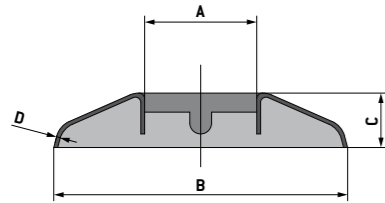
DIMENSIONS:

A	B	C	D	Ø	PN
3/4"	1/2"	74	24	8	10

PACKAGING:

	3/4"
CODE	40800006
PIECES PER BOX	-
PIECES PER CARTON	150

STAINLESS STEEL ROSETTE



- Stainless steel rosette for under-basin and washing machine taps

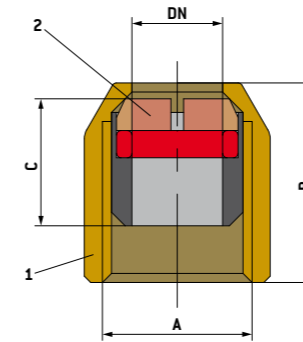
DIMENSIONS:

A	B	C	D
21	54	9	0,4

DIMENSIONS:

SIZE	1/2"
ACCESSORY CODE	76800603X790

LONG NUT AND 3-PIECE OLIVE



- Long nut and 3-piece olive for under-basin

COMPONENTS:

POSN.	PART NAME	No. Pcs.	MATERIAL
1	Long nut	1	CW617N UNI-EN 12164 Chrome-plated
2	3-piece olives	1	CW617N UNI-EN 12164 + NBR + Plastic

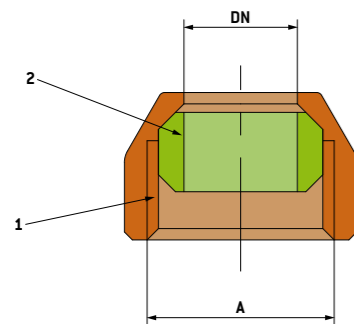
DIMENSIONS:

A	DN	B	C
3/8"	10	22	14,2

DIMENSIONS:

SIZE	3/8"
ACCESSORY CODE	76720603XA

NUT AND OLIVE



- Nut and olive for under-basin

COMPONENTS:

POSN.	PART NAME	No. Pcs.	MATERIAL
1	Nut	1	CW617N UNI-EN 12164 Chrome-plated
2	Olive	1	PTFE

DIMENSIONS:

A	DN
3/8"	10
1/2"	14

DIMENSIONS:

SIZE	3/8"	1/2"
ACCESSORY CODE	76700603XA	76700604XA

3626...

PRESSURE REDUCER

PRESSURE REDUCERS



- Heavy-duty pressure reducer with stainless steel seat and F/F unions
- Maximum operating pressure: 25 bar
- Temperature range: 0-80°C

This reducer is particularly indicated for regulating the downstream pressure of fluids when medium-high flow rates are required. Excellent fields of application are in plant engineering for plumbing and heating, industry and agriculture. Seal of the AISI 304 steel seat is provided by an NBR gasket.

The pressure reducer is factory set at an output pressure of 3 bar.

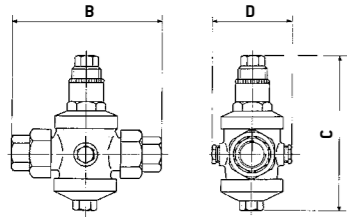
Field of outlet regulation:

from 1/2" to 1" → 0,5 - 5 bar

from 1.1/4" to 2" → 1 - 5,5 bar

▲ DIMENSIONS:

A	B	C	D
1/2"	118	128	68
3/4"	130	160	80
1"	142	160	80
1".1/4	170	215	95
1".1/2	170	215	95
2"	210	245	120



▲ PACKAGING:

	1/2"	3/4"	1"	1.1/4"	1.1/2"	2"
CODE	36260004	36260006	36260008	36260010	36260011	36260013
PIECES PER BOX	1	1	1	-	-	-
PIECES PER CARTON	20	10	10	10	10	5

3627...

PRESSURE REDUCER

PRESSURE REDUCERS



- Mini pressure reducer
- Maximum operating pressure: 10 bar
- Temperature range: 0-80°C

This reducer is particularly indicated for regulating the downstream pressure of fluids when low-flow rates are required.

Excellent fields of application are in plant engineering for plumbing and heating, industry and agriculture.

Seat seal is provided by an NBR gasket.

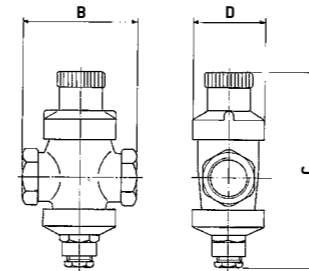
The pressure reducer is factory set at an output pressure of 3 bar.

Field of outlet regulation:

From 1/2" to 1" → 1,2-5 bar

▲ DIMENSIONS:

A	B	C	D
1/2"	58	105	35
3/4"	58	105	35



▲ PACKAGING:

	1/2"	3/4"
CODE	36270004	36270006
PIECES PER BOX	1	1
PIECES PER CARTON	50	50

3625...

PRESSURE REDUCER

PRESSURE REDUCERS



- F/F pressure reducer
- Maximum operating pressure: 25 bar
- Temperature range: 0-80°C

This reducer is particularly indicated for regulating the downstream pressure of fluids when medium-low flow rates are required.

Excellent fields of application are in plant engineering for plumbing and heating, industry and agriculture. Seat seal is provided by an NBR gasket.

The pressure reducer is factory set at an output pressure of 3 bar.

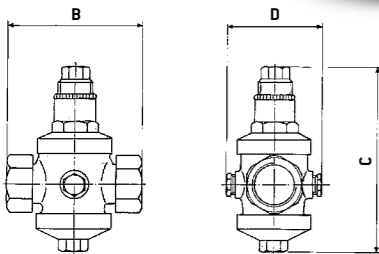
Field of outlet regulation:

from 1/2" to 1" → 0,5 - 5 bar

from 1.1/4" to 2" → 1 - 5,5 bar

▲ DIMENSIONS:

A	B	C	D
1/2"	70	128	68
3/4"	74	128	68
1"	90	160	80
1".1/4	126	230	92
1".1/2	126	230	92
2"	154	260	110



▲ PACKAGING:

	1/2"	3/4"	1"	1.1/4"	1.1/2"	2"
CODE	36250004	36250006	36250008	36250010	36250011	36250013
PIECES PER BOX	1	1	1	-	-	-
PIECES PER CARTON	20	20	10	10	10	5

3635...

SAFETY VALVE

PRESSURE REDUCERS



- Water heater safety valve with lever

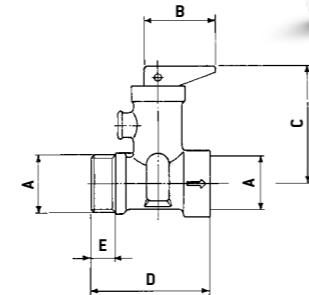
This valve is particularly indicated for regulating the pressure inside a water heater. When the pressure exceeds the maximum setting, the relief valve opens to prevent the pressure inside the water heater from rising to a dangerous level.

Operate the lever periodically (preferably once a month) to check operation of the valve or empty the appliance if necessary.

The valve is factory set at an output opening pressure of 8,5 bar.

▲ DIMENSIONS:

A	B	C	D	E
1/2"	33	65	46	10
3/4"	33	75	57	11



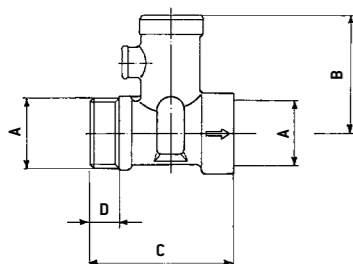
▲ PACKAGING:

	1/2"	3/4"
CODE	36350004	36350006
PIECES PER BOX	-	-
PIECES PER CARTON	250	125

3636...

SAFETY VALVE

PRESSURE REDUCERS



- 1/2 water heater safety valve

This valve is particularly indicated for regulating the pressure inside a water heater. When the pressure exceeds the maximum setting, the relief valve opens to prevent the pressure inside the water heater from rising to a dangerous level.

The valve is factory set at an output opening pressure of 8 bar.

DIMENSIONS:

A	B	C	D
1/2"	48	40	10
3/4"	62	54	11

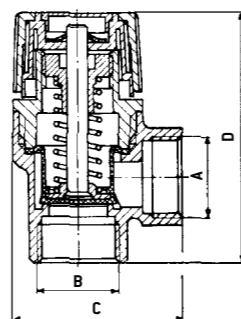
PACKAGING:

	1/2"	3/4"
CODE	36360004	36360006
PIECES PER BOX	-	-
PIECES PER CARTON	300	150

3631...

SAFETY VALVE

PRESSURE REDUCERS



- F/F 1/2" boiler safety valve, 6 bar
- Maximum operating pressure: **6 BAR**
- Temperature range: 5-110°C

Safety valves are particularly indicated for regulating pressure in heat generators installed in heating systems and hot-water storage tanks in plumbing and heating systems.

When the pressure exceeds the maximum setting (marked in relief on the plastic cap), the relief valve opens to prevent the pressure inside the system from rising to a dangerous level for the generator and the components of the system.

Seat seal is provided by an EPDM Perox diaphragm, which is guaranteed non-stick and inalterable even when subjected to prolonged use.

DIMENSIONS:

A	B	C	D
3/4"	1/2"	43	80
3/4"	3/4"	50	80

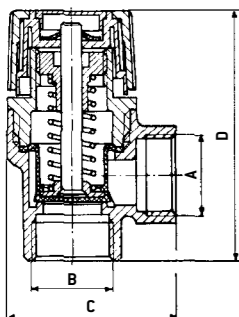
PACKAGING:

	1/2"	3/4"
CODE	36310004	36310006
PIECES PER BOX	12	8
PIECES PER CARTON	72	48

3630...

SAFETY VALVE

PRESSURE REDUCERS



- F/F 1/2" boiler safety valve, 3 bar
- Maximum operating pressure: **3 BAR**
- Temperature range: 5-110°C

Safety valves are particularly indicated for regulating pressure in heat generators installed in heating systems and hot-water storage tanks in plumbing and heating systems.

When the pressure exceeds the maximum setting (marked in relief on the plastic cap), the relief valve opens to prevent the pressure inside the system from rising to a dangerous level for the generator and the components of the system.

Seat seal is provided by an EPDM Perox diaphragm, which is guaranteed non-stick and inalterable even when subjected to prolonged use.

DIMENSIONS:

A	B	C	D
3/4"	1/2"	43	80
3/4"	3/4"	50	80

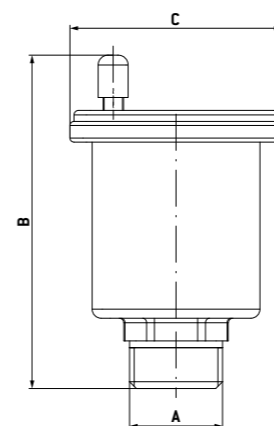
PACKAGING:

	1/2"	3/4"
CODE	36300004	36300006
PIECES PER BOX	12	8
PIECES PER CARTON	72	48

3620...

RELIEF VALVE

PRESSURE REDUCERS



- Automatic relief valve
- Maximum operating pressure: 10 BAR
- Temperature range: 5-110°C
- Finish: yellow and nickel-plated

DIMENSIONS:

A	B	C
1/4"	76	46
3/8"	76	46
1/2"	76	46

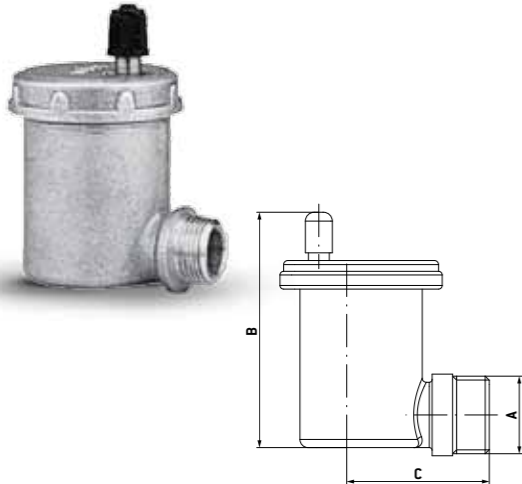
PACKAGING:

	1/4"	3/8"	1/2"
NICKEL-PLATED	36200002	36200003	36200004
YELLOW	36200002G	36200003G	36200004G
PIECES PER BOX	16	16	16
PIECES PER CARTON	160	160	160

3619...

RELIEF VALVE

PRESSURE REDUCERS



- Nickel-plated automatic relief valve with side connection
- Maximum operating pressure: 10 BAR
- Temperature range: 5-110°C
- Finish: sanblasted or nickel-plated

DIMENSIONS:

A	B	C
3/8"	67	37
1/2"	67	37

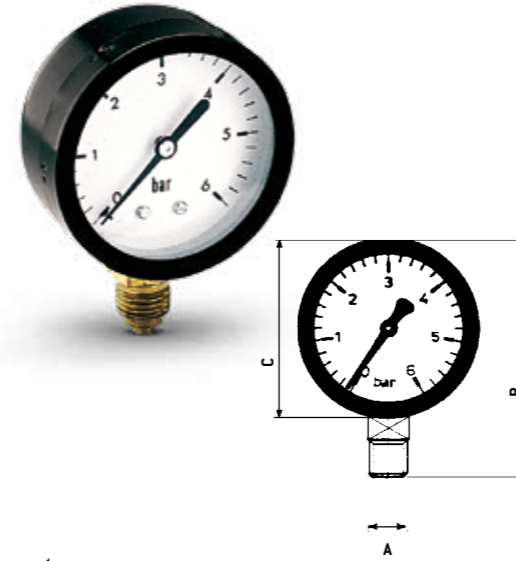
PACKAGING:

	3/8"	1/2"
SANDBLASTED	36190003G	36190004G
NICKEL-PLATED	36190003	36190004
PIECES PER BOX	10	10
PIECES PER CARTON	100	100

3650...

PRESSURE GAUGE

PRESSURE GAUGES



- Pressure gauge, radial connection
- Available scale: 6 or 10 bar

DIMENSIONS:

A	B	C
1/4"	80	63

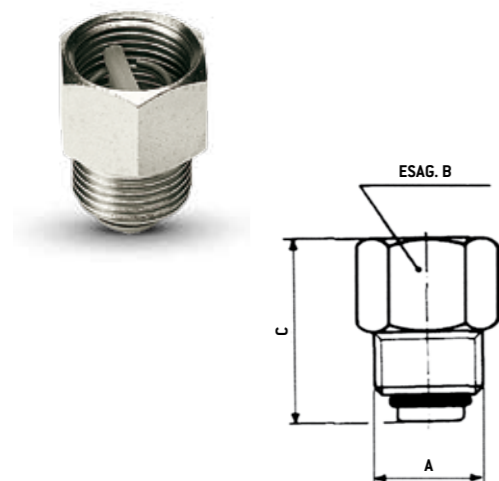
PACKAGING:

	1/4" 6 BAR	1/4" 10 BAR
CODE	36500002	36500002Z
PIECES PER BOX	—	—
PIECES PER CARTON	100	100

3621...

AUTOMATIC SHUT-OFF VALVE

PRESSURE REDUCERS



- Automatic shut-off valve

DIMENSIONS:

A	B	C
3/8"	19	25
1/2"	23	25

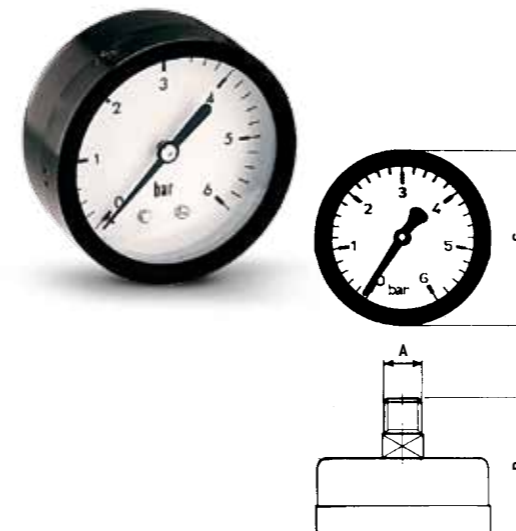
PACKAGING:

	3/8"	1/2"
CODE	36210003	36210004
PIECES PER BOX	50	50
PIECES PER CARTON	1000	1000

3651...

PRESSURE GAUGE

PRESSURE GAUGES



- Pressure gauge, rear connection
- Available scale: 6 or 10 bar

DIMENSIONS:

A	B	C
1/4"	48	63

PACKAGING:

	1/4" 6 BAR	1/4" 10 BAR
CODE	36510002	36510002Z
PIECES PER BOX	—	—
PIECES PER CARTON	100	100

► Idrosanitaria Bonomi
ALWAYS EVOLVING

1



6



5



2



4



3



3

BRONZE VALVES

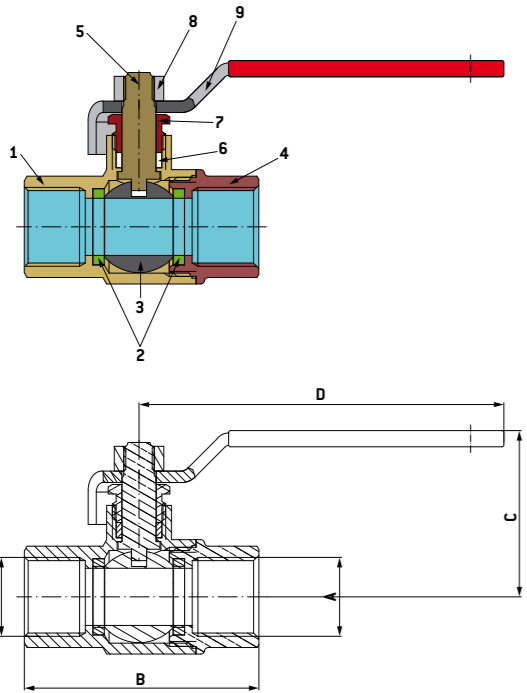
SUMMARY



1300...

RENO

WATER BALL VALVES



- F/F bronze ball valve with iron lever
- Thread: ISO 228, on request EN10226-1 [ex ISO 7/1] - NPT
- Temperature range: -10°C to +120°C / min. 14°F to max. +248°F

This valve is particularly indicated for distributing and shutting off fluids that can cause dezincification problems. It is also suitable for use in marine and other aggressive environments. Other excellent fields of application are in plant engineering for plumbing and heating, industry and shipbuilding. It is a full-bore valve, and ball seal is provided by two PTFE seats. Seal of the stem is provided by a PTFE ring and an adjustable gland with the stem mounted from inside and a bottom-loaded system. It is advisable to perform a complete manoeuvring cycle at least once every 3 months to prevent the formation of limescale, which would affect operation.

COMPONENTS:

POSN.	PART NAME	No. Pcs.	MATERIAL
1	Body	1	CC491K UNI-EN 1982:2000
2	Seal	2	PTFE
3	Ball	1	CW617N UNI-EN 12165 Chrome-plated
4	End connection	1	CC491K UNI-EN 1982:2000
5	Stem	1	CW617N UNI-EN 12164
6	Gland packing	1	PTFE
7	Gland	1	CW617N UNI-EN 12164
8	Nut	1	Galvanised iron
9	Lever	1	Galvanised iron and PVC coated

DIMENSIONS MM:

DN	A	B	C	D	PN
8	1/4"	51	47,5	85	32
10	3/8"	51	47,5	85	32
15	1/2"	62	45	85	32
20	3/4"	70	57,5	104	32
25	1"	85	57,5	104	32
32	1.1/4"	99	75	122	32
40	1.1/2"	110	77,5	122	32
50	2"	134	93	153	32
65	2.1/2"	142	119,5	200	25
80	3"	178	134	280	25
100	4"	210	153,5	280	25

DIMENSIONS INCH:

A	B	C	D	PSI
1/4"	2,008	1,870	3,346	500
3/8"	2,008	1,870	3,346	500
1/2"	2,441	1,771	3,346	500
3/4"	2,756	2,264	4,094	500
1"	3,346	2,264	4,094	500
1.1/4"	3,898	2,953	4,803	500
1.1/2"	4,331	3,051	4,803	500
2"	5,275	3,661	6,024	500
2.1/2"	5,950	4,705	7,874	400
3"	7,008	5,276	11,024	400
4"	8,268	6,043	11,024	400

*PRESSURE DROP SEE CHART ON Page 52

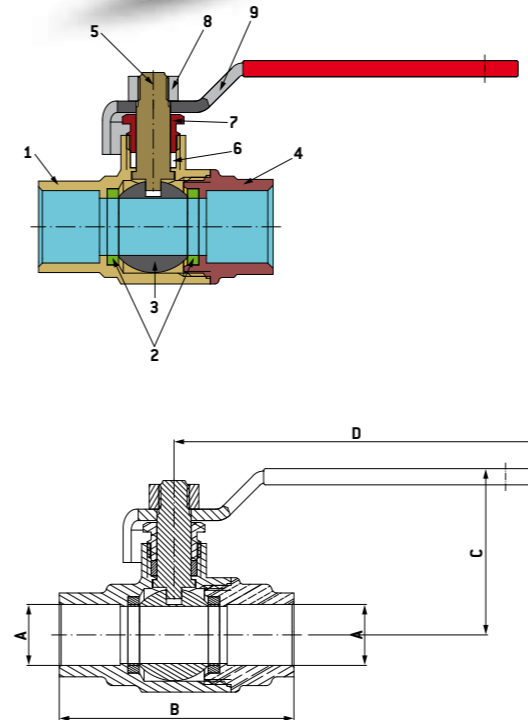
PACKAGING:

	1/4"	3/8"	1/2"	3/4"	1"	1.1/4"	1.1/2"	2"	2.1/2"	3"	4"
CODE	13000102R	13000103R	13000104R	13000106R	13000108R	13000110R	13000111R	13000113R	13000115R	13000117R	13000119R
PIECES PER BOX	30	25	20	15	8	-	-	-	-	-	-
PIECES PER CARTON	150	175	120	90	48	30	25	10	8	5	4

1305...

RENO

WATER BALL VALVES



- Bronze solder ball valve with iron lever
- Temperature range: -10°C to +120°C / min. +14°F to max +248°F

This valve is particularly indicated for distributing and shutting off fluids that can cause dezincification problems. It is also suitable for use in marine and other aggressive environments. Other excellent fields of application are in plant engineering for plumbing and heating, industry and shipbuilding. It is a full-bore valve, and ball seal is provided by two PTFE seats. Seal of the stem is provided by a PTFE ring and an adjustable gland with the stem mounted from inside and a bottom-loaded system. It is advisable to perform a complete manoeuvring cycle at least once every 3 months to prevent the formation of limescale, which would affect operation.

COMPONENTS:

POSN.	PART NAME	No. Pcs.	MATERIAL
1	Body	1	CC491K UNI-EN 1982:2000
2	Seal	2	PTFE
3	Ball	1	CW617N UNI-EN 12165 Chrome-plated
4	End connection	1	CC491K UNI-EN 1982:2000
5	Stem	1	CW617N UNI-EN 12164
6	Gland packing	1	PTFE
7	Gland	1	CW617N UNI-EN 12164
8	Nut	1	Galvanised iron
9	Lever	1	Galvanised iron and PVC coated

DIMENSIONS MM:

DN	A	B	C	D	PN
10	12,78	51	47,5	85	32
15	15,95	62	45	85	32
20	22,32	70	57,5	104	32
25	28,66	85	57,5	104	32
32	35,04	99	75	122	32
40	41,38	110	77,5	122	32
50	54,08	134	93	153	32
65	66,77	142	119,5	200	25
80	79,47	178	134	280	25
100	104,87	210	153,5	280	25

DIMENSIONS INCH:

MIS.	A	B	C	D	PSI
3/8"	0,503	2,008	1,870	3,346	500
1/2"	0,628	2,441	1,771	3,346	500
3/4"	0,878	2,756	2,264	4,094	500
1"	1,128	3,346	2,264	4,094	500
1.1/4"	1,380	3,898	2,953	4,803	500
1.1/2"	1,629	4,331	3,051	4,803	500
2"	2,129	5,275	3,661	6,024	500
2.1/2"	2,629	5,950	4,705	7,874	400
3"	3,129	7,008	5,276	11,024	400
4"	4,129	8,268	6,043	11,024	400

*PRESSURE DROP SEE CHART ON Page 52

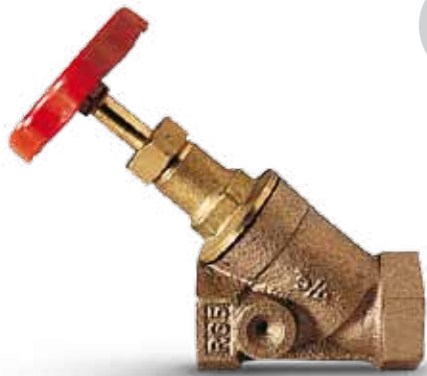
PACKAGING:

	10	15	20	25	32	40	50	65	80	100
CODE	1305211P00	1305211R00	1305211T00	1305211U00	1305211V00	1305211W00	1305211X00	1305211Y00	1305211Z00	1305211000
PIECES PER BOX	20	15	10	6	5	3	2	-	-	-
PIECES PER CARTON	120	90	60	36	20	15	10	1	1	1

2121...

BRONZE ANGLE-SEAT VALVE

STOP VALVES



- F/F bronze angle-seat valve
- Female thread: ISO 228
- Maximum temperature saturated steam: +160°C
- Temperature range: -10°C to +100°C

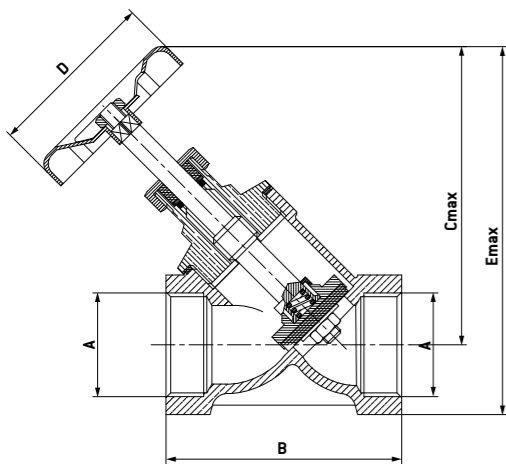
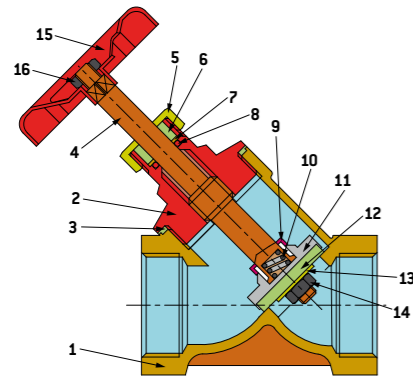
This valve is particularly indicated for distributing, regulating and shutting off fluids that can cause dezincification problems. It is also suitable for use in marine and other aggressive environments. Other excellent fields of application are in plant engineering for plumbing and heating, industry and shipbuilding.

Seat seal is provided by a PTFE gasket.

COMPONENTS:

POSN.	PART NAME	No. Pcs.	MATERIAL
1	Body	1	Bronze CC491K UNI-EN 1982:2000
2	Upper part body	1	CW617N UNI-EN 12165
3	Gasket testa	1	PTFE
4	Upper part stem	1	CW617N UNI-EN 12164
5	Nut premistoppa	1	CW617N UNI-EN 12164
6	Cylinder	1	CARBON FILLED PTFE
7	Washer	1	CW617N UNI-EN 12164
8	O-ring	1	Viton®
9	Ring	1	CW617N UNI-EN 12164
10	Spring	1	AISI 302 stainless steel
11	Porta Gasket	1	CW617N UNI-EN 12164
12	Gasket tenuta	1	CARBON FILLED PTFE
13	Stop washer Seal	1	CW617N UNI-EN 12164
14	Nut	1	CW617N UNI-EN 12164
15	Handwheel	1	Red lacquered iron
16	Nut	1	Galvanised iron

N.B. References 9 and 10 are not available in sizes 3/8" to 1".



DIMENSIONS:

DN	A	B	Cmax	D	Emax	PN
10	3/8"	53	78	50	91	16
15	1/2"	57	81	50	96	16
20	3/4"	66	96	55	115	16
25	1"	75	110	55	132	16
32	1.1/4"	90	128	60	156	16
40	1.1/2"	104	149	70	181	16
50	2"	123	181	100	221	16

PACKAGING:

	3/8"	1/2"	3/4"	1"	1.1/4"	1.1/2"	2"
CODE	2121610C00	2121610D00	2121610E00	2121610F00	2121610G00	2121610H00	2121610I00
PIECES PER BOX	10	10	10	6	-	-	-
PIECES PER CARTON	100	100	100	60	30	20	18

2131...

BRONZE ANGLE-SEAT VALVE

STOP VALVES



- F/F bronze angle-seat valve with drain cock
- Female thread: ISO 228
- Temperature range:
Water: -10°C to +100°C with drain cock closed
Saturated steam: max +150°C with drain cock closed

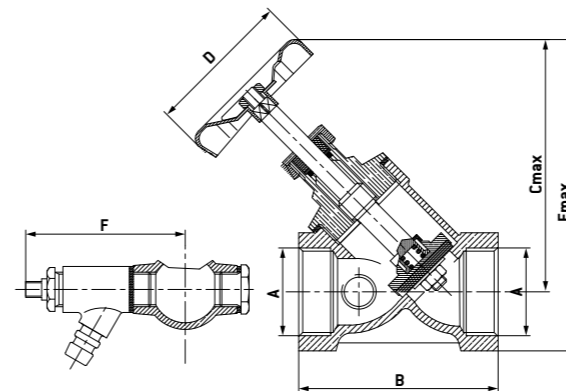
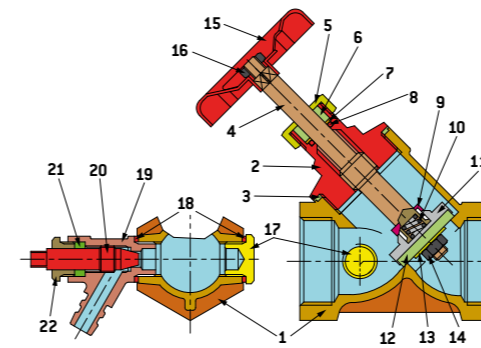
This valve is particularly indicated for distributing, regulating and shutting off fluids that can cause dezincification problems. It is also suitable for use in marine and other aggressive environments. Other excellent fields of application are in plant engineering for plumbing and heating, industry and shipbuilding.

Seat seal is provided by a PTFE gasket.

COMPONENTS:

POSN.	PART NAME	No. Pcs.	MATERIAL
1	Body	1	Bronze CC491K UNI-EN 1982:2000
2	Upper part body	1	CW617N UNI-EN 12165
3	Head gasket	1	PTFE
4	Upper part stem	1	CW617N UNI-EN 12164
5	Nut gland	1	CW617N UNI-EN 12164
6	Cylinder	1	CARBON FILLED PTFE
7	Washer	1	CW617N UNI-EN 12164
8	O-ring	1	Viton®
9	Ring	1	CW617N UNI-EN 12164
10	Spring	1	AISI 302 stainless steel
11	Gasket holder	1	CW617N UNI-EN 12164
12	Seal gasket	1	CARBON FILLED PTFE
13	Stop washer Seal	1	CW617N UNI-EN 12164
14	Nut	1	CW617N UNI-EN 12164
15	Handwheel	1	Red lacquered iron
16	Nut	1	Galvanised iron
17	Cap	1	CW617N UNI-EN 12164
18	Gasket	1	Klinger C6307
19	Drain cock body	1	CW617 UNI-EN 12165
20	Drain cock stem	1	CW614 UNI-EN 12164
21	Gasket	1	PVC
22	Nut gland	1	CW617N UNI-EN 12164

N.B. References 9 and 10 are not available in sizes 3/8" to 1".



DIMENSIONS:

DN	A	B	Cmax	D	Emax	F	PN
10	3/8"	53	78	50	91	60	16
15	1/2"	57	81	50	96	60	16
20	3/4"	66	96	55	115	63	16
25	1"	75	110	55	132	67	16
32	1.1/4"	90	128	60	156	72	16
40	1.1/2"	104	149	70	181	75	16
50	2"	123	181	100	221	82	16

PACKAGING:

	3/8"	1/2"	3/4"	1"	1.1/4"	1.1/2"	2"
CODE	2131610C00	2131610D00	2131610E00	2131610F00	2131610G00	2131610H00	2131610I00
PIECES PER BOX	10	10	8	6	-	-	-
PIECES PER CARTON	100	100	80	60	30	20	15

2101...

BRONZE GLOBE VALVE WITH PTFE SEAT

GLOBE VALVE



- Globe valve with PTFE seat
- Thread: ISO 228 and NPT on request
- Nominal pressure max PN16
- Water temperature range: 0°C to +100°C / min. +32°F to max +212°F
- Saturated steam temperature: max. 170°C / max. +338°F

This valve is particularly indicated for distributing, regulating and shutting off air, steam or fluids that can cause dezincification problems. It is also suitable for use in marine and other aggressive environments.

Other excellent fields of application are in plant engineering for plumbing and heating, industry and shipbuilding.

Seat seal is provided by a PTFE gasket.

COMPONENTS:

POSN.	PART NAME	No. Pcs.	MATERIAL
1	Body	1	Bronze CC491K UNI-EN 1982:2000
2	Upper part	1	CW617N UNI-EN 12165
3	O-ring	1	Viton*
4	Nut gland	1	CW617N UNI-EN 12165
5	Stem	1	CW617N UNI-EN 12164
6	Cylinder	1	PTFE
7	Stop washer O-ring	1	CW617N UNI-EN 12164
8	Head gasket	1	PTFE
9	Spring	1	AISI 302 stainless steel
10	Ring	1	CW617N UNI-EN 12165
11	Seal	1	CW617N UNI-EN 12165
12	Seal gasket	1	PTFE
13	Washer	1	CW617N UNI-EN 12164
14	Nut for washer	1	CW617N UNI-EN 12164
15	Handwheel	1	Red lacquered iron
16	Retaining nut Handwheel	1	Galvanised iron

N.B. References 9 and 10 are not available in sizes 1/4" to 1.1/4".

DIMENSIONS MM:

DN	A	B	C	D	Ø	PN
8	1/4"	46	73	50	11	16
10	3/8"	50	70	50	11	16
15	1/2"	50	71	50	11	16
20	3/4"	55	77	50	13	16
25	1"	64	90	60	19	16
32	1.1/4"	73	103	60	23	16
40	1.1/2"	83	113	70	29	16
50	2"	88	132	80	36	16
65	2.1/2"	150	209	120	62	16
80	3"	165	224	120	76	16
100	4"	190	262	140	94	16

DIMENSIONS INCH:

A	B	C	D	Ø	PSI
1/4"	1,811	2,874	1,969	0,433	200
3/8"	1,969	2,756	1,969	0,433	200
1/2"	1,969	2,795	1,969	0,433	200
3/4"	2,165	3,031	1,969	0,512	200
1"	2,520	3,543	2,362	0,748	200
1.1/4"	2,874	4,055	2,362	0,906	200
1.1/2"	3,268	4,449	2,756	1,142	200
2"	3,465	5,197	3,150	1,417	200
2.1/2"	5,906	8,228	4,724	2,441	200
3"	6,496	8,819	4,724	2,992	200
4"	7,480	10,315	5,512	3,701	200

PACKAGING:

	1/4"	3/8"	1/2"	3/4"	1"	1.1/4"	1.1/2"	2"	2.1/2"	3"	4"
CODE	2101610B00	2101610C00	2101610D00	2101610E00	2101610F00	2101610G00	2101610H00	2101610I00	2101610J00	2101610K00	2101610M00
PIECES PER BOX	12	12	12	8	6	-	-	-	-	-	-
PIECES PER CARTON	144	144	120	96	72	50	30	20	10	8	5

2100...

BRONZE GLOBE VALVE WITH METAL SEAT

GLOBE VALVE



- Globe valve with metal seat
- Thread: ISO 228 and NPT on request
- Nominal pressure max PN16
- Water temperature range: 0°C to +100°C / min. +32°F to max +212°F
- Saturated steam temperature: max. 170°C / max. +338°F

This valve is particularly indicated for distributing, regulating and shutting off air, steam or fluids that can cause dezincification problems. It is also suitable for use in marine and other aggressive environments.

Other excellent fields of application are in plant engineering for plumbing and heating, industry and shipbuilding.

Seat seal is provided by a metal-on-metal coupling.

COMPONENTS:

POSN.	PART NAME	No. Pcs.	MATERIAL
1	Body	1	Bronze CC491K UNI-EN 1982:2000
2	Upper part	1	CW617N UNI-EN 12165
3	O-ring	1	NBR
4	Nut gland	1	CW617N UNI-EN 12165
5	Stem	1	CW617N UNI-EN 12164
6	Cylinder	1	PTFE
7	Stop washer O-ring	1	CW617N UNI-EN 12164
8	Head gasket	1	PTFE
9	Spring	1	AISI 302 stainless steel
10	Ring	1	CW617N UNI-EN 12165
11	Metal seal	1	CW617N UNI-EN 12165
12	Handwheel	1	Red lacquered iron
13	Retaining nut Handwheel	1	Galvanised iron

N.B. References 3 and 13 are not available in sizes 1/4" to 1.1/4".

DIMENSIONS MM:

DN	A	B	C	D	Ø	PN
8	1/4"	46	73	50	11	16
10	3/8"	50	70	50	11	16
15	1/2"	50	71	50	11	16
20	3/4"	55	77	50	13	16
25	1"	64	90	60	19	16
32	1.1/4"	73	103	60	23	16
40	1.1/2"	83	113	70	29	16
50	2"	88	132	80	36	16
65	2.1/2"	150	209	120	62	16
80	3"	165	224	120	76	16
100	4"	190	262	140	94	16

DIMENSIONS INCH:

A	B	C	D	Ø	PSI
1/4"	1,811	2,874	1,969	0,433	200
3/8"	1,969	2,756	1,969	0,433	200
1/2"	1,969	2,795	1,969	0,433	200
3/4"	2,165	3,031	1,969	0,512	200
1"	2,520	3,543	2,362	0,748	200
1.1/4"	2,874	4,055	2,362	0,906	200
1.1/2"	3,268	4,449	2,756	1,142	200
2"	3,465	5,197	3,150	1,417	200
2.1/2"	5,906	8,228	4,724	2,441	200
3"	6,496	8,819	4,724	2,992	200
4"	7,480	10,315	5,512	3,701	200

PACKAGING:

	1/4"	3/8"	1/2"	3/4"	1"	1.1/4"	1.1/2"	2"	2.1/2"	3"	4"
CODE	2100610B00	2100610C00	2100610D00	2100610E00	2100610F00	2100610G00	2100610H00	2100610I00	2100610J00	2100610K00	2100610M00
PIECES PER BOX	12	12	12	8	6	-	-	-	-	-	-
PIECES PER CARTON	144	144	120	96	72	50	30	20	10	8	5

3011...

BRONZE SWING CHECK VALVE RUBBER SEAT

SWING CHECK VALVES



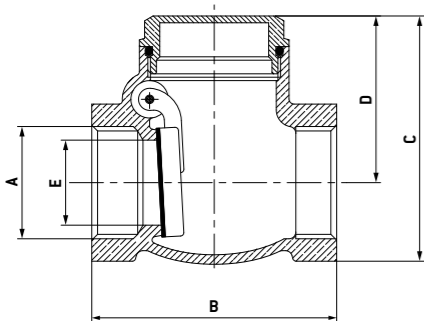
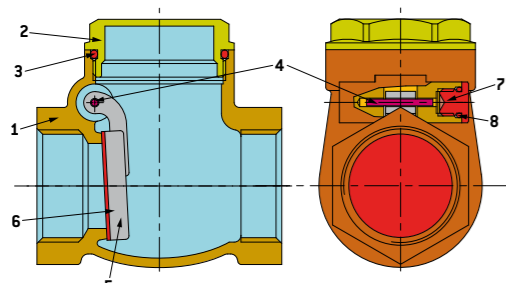
- Bronze swing check valve rubber seat
- Female/Female thread: ISO 228
- NPT Female/Female thread on request
- Temperature range: 0°C to +95°C / min. +32°F to max. +203°F

This valve is particularly indicated for the non-return of fluids that can cause dezincification problems. It is also suitable for use in marine and other aggressive environments.

Other excellent fields of application are in plant engineering for plumbing and heating, industry and shipbuilding.

The direction of flow is indicated by an arrow on the valve body. It can be installed either horizontally or vertically.

Seat seal is provided by a NBR gasket.



COMPONENTS:

POSN.	PART NAME	No. Pcs.	MATERIAL
1	Body	1	Bronze CC491K UNI-EN 1982:2000
2	Cap	1	CW617N (for 3/8" and 1/2") UNI-EN 12164 CW617N (3/4" to 4") UNI-EN 12165
3	O-ring cap	1	NBR
4	Pin	1	CW617N UNI-EN 12164
5	Clapet	1	CW617N UNI-EN 12165
6	Clapet gasket	1	NBR
7	M8 cap	1	CW617N UNI-EN 12164
8	O-ring	1	NBR

DIMENSIONS MM:

DN	A	B	C	D	E	PN
10	3/8"	49	47	31	12	16
15	1/2"	55	53	36	14	16
20	3/4"	62	64	43	20	16
25	1"	72	73	49	25	16
32	1.1/4"	82	85	57	30	16
40	1.1/2"	90	95	63	35	16
50	2"	105	107	69	47	16
65	2.1/2"	125	128	82	60	16
80	3"	144	145	91	74	16
100	4"	176	192	123	95	16

DIMENSIONS INCH:

DN	A	B	C	D	E	PSI
3/8"	1,929	1,850	1,220	0,472	200	
1/2"	2,165	2,087	1,417	0,551	200	
3/4"	2,441	2,520	1,693	0,787	200	
1"	2,835	2,874	1,929	0,984	200	
1.1/4"	3,228	3,346	2,244	1,181	200	
1.1/2"	3,543	3,740	2,480	1,378	200	
2"	4,134	4,213	2,717	1,850	200	
2.1/2"	4,921	5,039	3,228	2,362	200	
3"	5,669	5,709	3,583	2,913	200	
4"	6,929	7,559	4,843	3,740	200	

PACKAGING:

	3/8"	1/2"	3/4"	1"	1.1/4"	1.1/2"	2"	2.1/2"	3"	4"
CODE	3011010C00	3011010D00	3011010E00	3011010F00	3011010G00	3011010H00	3011010I00	3011010J00	3011010K00	3011010M00
PIECES PER BOX	20	15	10	6	-	-	-	-	-	-
PIECES PER CARTON	200	150	100	60	50	35	25	15	10	6

3010...

BRONZE SWING CHECK VALVE METAL SEAT

SWING CHECK VALVES



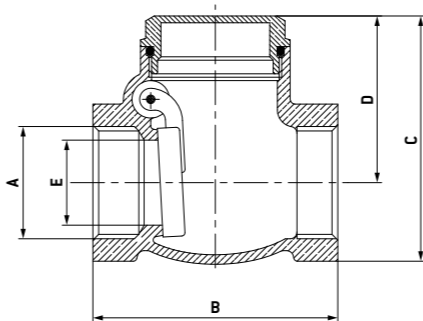
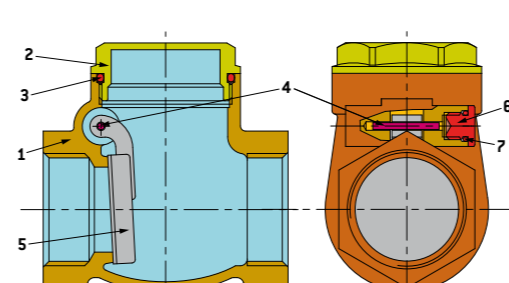
- Bronze swing check valve metal seat
- Female/Female thread: ISO 228
- NPT Female/Female thread on request
- Temperature range: 0°C to +95°C / min. +32°F to max. +203°F

This valve is particularly indicated for the non-return of fluids that can cause dezincification problems. It is also suitable for use in marine and other aggressive environments.

Other excellent fields of application are in plant engineering for plumbing and heating, industry and shipbuilding.

The direction of flow is indicated by an arrow on the valve body. It can be installed either horizontally or vertically.

Seat seal is provided by a metal-on-metal coupling.



COMPONENTS:

POSN.	PART NAME	No. Pcs.	MATERIAL
1	Body	1	Bronze CC491K UNI-EN 1982:2000
2	Cap	1	CW617N (for 3/8" and 1/2") UNI-EN 12164 CW617N (3/4" to 4") UNI-EN 12165
3	O-ring cap	1	NBR
4	Pin	1	CW617N UNI-EN 12164
5	Clapet	1	CW617N UNI-EN 12165
6	M8 cap	1	CW617N UNI-EN 12164
7	O-ring	1	NBR

DIMENSIONS MM:

DN	A	B	C	D	E	PN
10	3/8"	49	47	31	12	16
15	1/2"	55	53	36	14	16
20	3/4"	62	64	43	20	16
25	1"	72	73	49	25	16
32	1.1/4"	82	85	57	30	16
40	1.1/2"	90	95	63	35	16
50	2"	105	107	69	47	16
65	2.1/2"	125	128	82	60	16
80	3"	144	145	91	74	16
100	4"	176	192	123	95	16

DIMENSIONS INCH:

DN	A	B	C	D	E	PSI
3/8"	1,929	1,850	1,220	0,472	200	
1/2"	2,165	2,087	1,417	0,551	200	
3/4"	2,441	2,520	1,693	0,787	200	
1"	2,835	2,874	1,929	0,984	200	
1.1/4"	3,228	3,346	2,244	1,181	200	
1.1/2"	3,543	3,740	2,480	1,378	200	
2"	4,134	4,213	2,717	1,850	200	
2.1/2"	4,921	5,039	3,228	2,362	200	
3"	5,669	5,709	3,583	2,913	200	
4"	6,929	7,559	4,843	3,740	200	

PACKAGING:

	3/8"	1/2"	3/4"	1"	1.1/4"	1.1/2"	2"	2.1/2"	3"	4"
CODE	3010010C00	3010010D00	3010010E00	3010010F00	3010010G00	3010010H00	3010010I00	3010010J00	3010010K00	3010010M00
PIECES PER BOX	20	15	10	6	-	-	-	-	-	-
PIECES PER CARTON	200	150	100	60	50	35	25	15	10	6

3001...

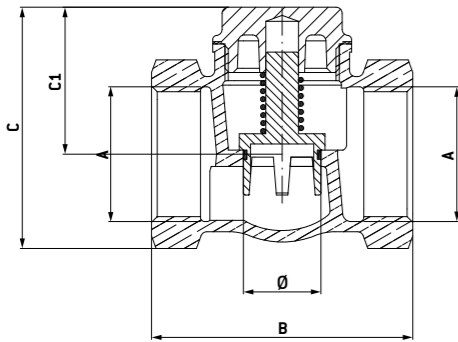
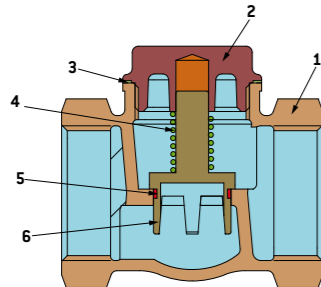
BRONZE HORIZONTAL VALVE RUBBER SEAT

CHECK VALVES



- Horizontal valve rubber seat
- Thread: ISO 228 and request NPT
- Temperature range: -10°C to +100°C / min. +14°F to max. +212°F

This valve is particularly indicated for the non-return of fluids that can cause dezincification problems. It is also suitable for use in marine and other aggressive environments. Other excellent fields of application are in plant engineering for plumbing and heating, industry and shipbuilding. The direction of flow is indicated by an arrow on the valve body. It must be installed horizontally. Seat seal is provided by a EPDM gasket.



COMPONENTS:

POSN.	PART NAME	No. Pcs.	MATERIAL
1	Body	1	Bronze CC491K UNI-EN 1982:2000
2	Cap	1	CW617N UNI-EN 12164 (3/8" and 3/4") CW617N UNI-EN 12165 (1" to 4")
3	Cap gasket	1	PTFE
4	Spring	1	AISI 302 stainless steel
5	O-ring	1	EPDM
6	Valve seal	1	CW617N UNI-EN 12164 (1/2" to 1.1/2") CW617N UNI-EN 12165 (2" to 4")

DIMENSIONS MM:

DN	A	B	C	C1	Ø	PN
10	3/8"	50	42	29	11	16
15	1/2"	50	45	30	11	16
20	3/4"	55	52	33	13	16
25	1"	64	59	36	19	16
32	1.1/4"	73	71	42	23	16
40	1.1/2"	83	80	48,5	29	16
50	2"	88	95	56,5	36	16
65	2.1/2"	150	128	80,5	62	16
80	3"	165	146	95	76	16

DIMENSIONS INCH:

A	B	C	C1	Ø	PSI
3/8"	1,969	1,654	1,142	0,433	200
1/2"	1,969	1,772	1,181	0,433	200
3/4"	2,165	2,047	1,299	0,512	200
1"	2,520	2,323	1,417	0,748	200
1.1/4"	2,874	2,795	1,654	0,906	200
1.1/2"	3,268	3,740	1,909	1,142	200
2"	3,465	4,213	2,224	1,417	200
2.1/2"	5,906	5,039	3,150	2,441	200
3"	6,496	5,709	3,740	2,992	200

PACKAGING:

	3/8"	1/2"	3/4"	1"	1.1/4"	1.1/2"	2"	2.1/2"	3"
CODE	3001010C00	3001010D00	3001010E00	3001010F00	3001010G00	3001010H00	3001010I00	3001010J00	3001010K00
PIECES PER BOX	20	20	15	10	8	-	-	-	-
PIECES PER CARTON	200	200	150	100	80	50	30	10	8

3000...

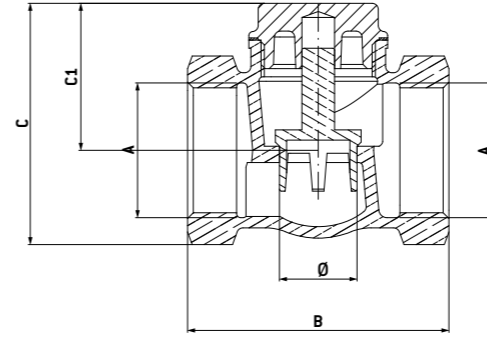
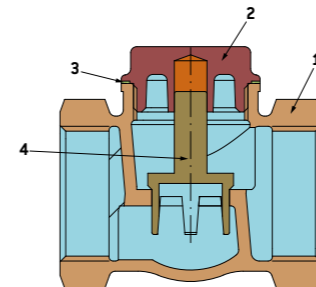
BRONZE HORIZONTAL VALVE METAL SEAT

CHECK VALVES



- Horizontal valve metal seat
- Thread: ISO 228 and request NPT
- Temperature range: -10°C to +100°C / min. +14°F to max. +212°F

This valve is particularly indicated for the non-return of fluids that can cause dezincification problems. It is also suitable for use in marine and other aggressive environments. Other excellent fields of application are in plant engineering for plumbing and heating, industry and shipbuilding. The direction of flow is indicated by an arrow on the valve body. It must be installed horizontally. Seat seal is proved by a metal-on-metal coupling.



COMPONENTS:

POSN.	PART NAME	No. Pcs.	MATERIAL
1	Body	1	Bronze CC491K UNI-EN 1982:2000
2	Cap	1	CW617N UNI-EN 12164 (3/8" and 3/4") CW617N UNI-EN 12165 (1" to 4")
3	Cap gasket	1	PTFE
4	Valve seal	1	CW617N UNI-EN 12164 (1/2" to 1.1/2") CW617N UNI-EN 12165 (2" to 4")

DIMENSIONS MM:

DN	A	B	C	C1	Ø	PN
10	3/8"	50	42	29	11	16
15	1/2"	50	45	30	11	16
20	3/4"	55	52	33	13	16
25	1"	64	59	36	19	16
32	1.1/4"	73	71	42	23	16
40	1.1/2"	83	80	48,5	29	16
50	2"	88	95	56,5	36	16
65	2.1/2"	150	128	80,5	62	16
80	3"	165	146	95	76	16

DIMENSIONS INCH:

A	B	C	C1	Ø	PSI
3/8"	1,969	1,654	1,142	0,433	200
1/2"	1,969	1,772	1,181	0,433	200
3/4"	2,165	2,047	1,299	0,512	200
1"	2,520	2,323	1,417	0,748	200
1.1/4"	2,874	2,795	1,654	0,906	200
1.1/2"	3,268	3,740	1,909	1,142	200
2"	3,465	4,213	2,224	1,417	200
2.1/2"	5,906	5,039	3,150	2,441	200
3"	6,496	5,709	3,740	2,992	200

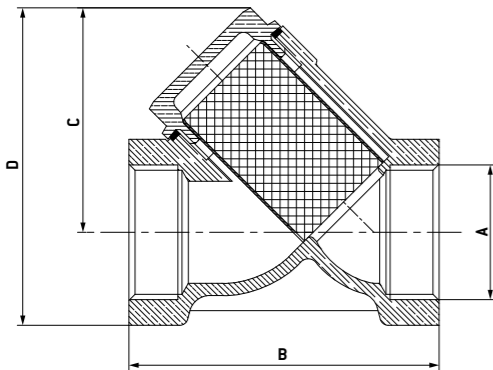
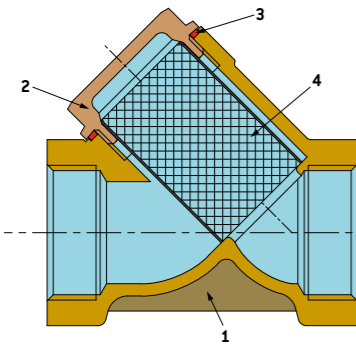
PACKAGING:

	3/8"	1/2"	3/4"	1"	1.1/4"	1.1/2"	2"	2.1/2"	3"
CODE	3000010C00	3000010D00	3000010E00	3000010F00	3000010G00	3000010H00	3000010I00	3000010J00	3000010K00
PIECES PER BOX	20	20	15	10	8	-	-	-	-
PIECES PER CARTON	200	200	150	100	80	50	30	10	8

2000...

BRONZE Y STRAINER

STRAINERS



DIMENSIONS MM:

DN	A	B	C	D	PN
10	3/8"	53	33	46	16
15	1/2"	57	35	50	16
20	3/4"	66	42	61	16
25	1"	76	54	77	16
32	1.1/4"	90	63	92	16
40	1.1/2"	104	76	108	16
50	2"	124	91	132	16
65	2.1/2"	163	118	168	16
80	3"	172	128	184	16
100	4"	226	178	255	16

- F/F bronze Y strainer ISO 228
- Standard strainer: 900 micron hole - 18 mesh (for 3" and 4" valves only available with strainer with 800 micron hole - 16 mesh)
- On request:
 - 500 micron hole - 40 mesh
 - 350 micron hole - 50 mesh
 - 200 micron hole - 80 mesh
 - 140 micron hole - 100 mesh
- Female/Female thread: ISO 228
- Temperature range: 0°C to +95°C / min. +32°F to max. +203°F

This strainer is particularly indicated for filtering fluids that can cause dezincification problems. It is also suitable for use in marine and other aggressive environments. Other excellent fields of application are in plant engineering for plumbing and heating, industry and shipbuilding. The direction of flow is indicated by an arrow on the valve body. It can be installed either horizontally or vertically. Strainer seal is provided by a special PTFE gasket.

COMPONENTS:

POSN.	PART NAME	No. Pcs.	MATERIAL
1	Body	1	Bronze CC491K UNI-EN 1982:2000
2	Cap	1	CW617N UNI-EN 12164 (for 3/8" and 1/2") CW617N UNI-EN 12165 (3/4" to 2")
3	Cap gasket	1	PTFE
4	Strainer	1	AISI 304 stainless steel

DIMENSIONS INCH:

A	B	C	D	PSI
3/8"	2,087	1,299	1,811	200
1/2"	2,244	1,378	1,969	200
3/4"	2,598	1,654	2,402	200
1"	2,992	2,126	3,031	200
1.1/4"	3,543	2,480	3,622	200
1.1/2"	4,094	2,992	4,252	200
2"	4,882	3,583	5,197	200
2.1/2"	6,417	4,646	6,614	200
3"	6,772	5,039	7,244	200
4"	8,898	7,008	10,039	200

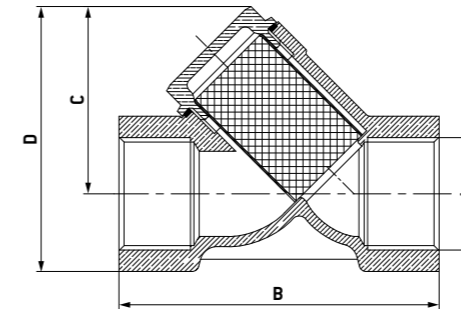
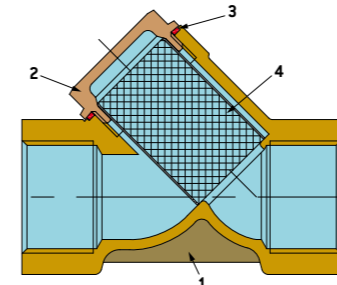
PACKAGING:

	3/8"	1/2"	3/4"	1"	1.1/4"	1.1/2"	2"	2.1/2"	3"	4"
CODE	2000010C00	2000010D00	2000010E00	2000010F00	2000010G00	2000010H00	2000010I00	2000010J00	2000010K00	2000010M00
PIECES PER BOX	20	15	10	10	-	-	-	-	-	-
PIECES PER CARTON	200	150	100	70	50	30	20	10	5	2

2010...

BRONZE Y STRAINER

STRAINERS



DIMENSIONS MM:

DN	A	B	C	D	PN
10	3/8"	60	33	46	16
15	1/2"	71	35	50	16
20	3/4"	80	42	61	16
25	1"	94	54	77	16
32	1.1/4"	112	63	92	16
40	1.1/2"	123	76	108	16
50	2"	150	91	132	16

DIMENSIONS INCH:

A	B	C	D	PSI
3/8"	2,362	1,299	1,811	200
1/2"	2,795	1,378	1,969	200
3/4"	3,150	1,654	2,402	200
1"	3,701	2,126	3,031	200
1.1/4"	4,409	2,480	3,622	200
1.1/2"	4,843	2,992	4,252	200
2"	5,906	3,583	5,197	200

PACKAGING:

	3/8"	1/2"	3/4"	1"	1.1/4"	1.1/2"	2"
CODE	2010011C00	2010011D00	2010011E00	2010011F00	2010011G00	2010011H00	2010011I00
PIECES PER BOX	20	20	10	10	5	4	2
PIECES PER CARTON	200	200	100	100	30	24	16

2030...

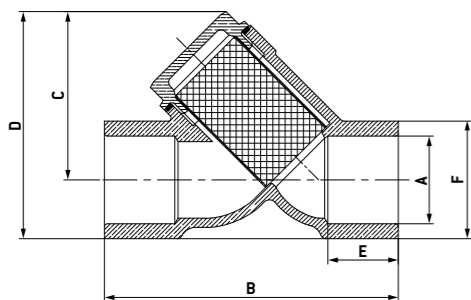
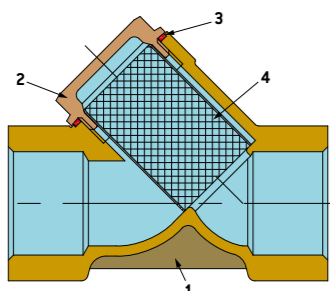
BRONZE Y STRAINER

STRAINERS



- Bronze Y strainer with soldering end connections
- Standard strainer: 900 micron hole - 18 mesh
- On request:
 - 500 micron hole - 40 mesh
 - 350 micron hole - 50 mesh
 - 200 micron hole - 80 mesh
 - 140 micron hole - 100 mesh
- Temperature range: 0°C to +95°C / min. +32°F to max. +203°F

This strainer is particularly indicated for filtering fluids that can cause dezincification problems. It is also suitable for use in marine and other aggressive environments. Other excellent fields of application are in plant engineering for plumbing and heating, industry and shipbuilding. The direction of flow is indicated by an arrow on the valve body. It can be installed either horizontally or vertically. Strainer seal is provided by a special PTFE gasket.



COMPONENTS:

POSN.	PART NAME	No. Pcs.	MATERIAL
1	Body	1	Bronze CC491K UNI-EN 1982:2000
2	Cap	1	CW617N UNI-EN 12164 (for 3/8" and 1/2") CW617N UNI-EN 12165 (3/4" to 2")
3	Cap gasket	1	PTFE
4	Strainer	1	AISI 304 stainless steel

DIMENSIONS MM:

DN	A	B	C	D	E	F	PN
15	15,95	70	35	46	16,5	21	16
20	22,32	85	42	56	20	27,4	16
25	28,65	96	54	71	23	34	16
32	35,04	116	63	84	25	41,4	16
40	41,38	135	76	100	28,5	48,4	16
50	54,08	155	91	122	34	61,1	16

DIMENSIONS INCH:

SIZE	A	B	C	D	E	F	PSI
1/2"	0,628	2,756	1,378	1,811	0,650	0,827	200
3/4"	0,879	3,346	1,654	2,205	0,787	1,079	200
1"	1,128	3,780	2,126	2,795	0,906	1,339	200
1.1/4"	1,380	4,567	2,480	3,307	0,984	1,630	200
1.1/2"	1,629	5,315	2,992	3,937	1,122	1,906	200
2"	2,129	6,102	3,583	4,803	1,339	2,406	200

PACKAGING:

	15,95	22,32	28,65	35,04	41,38	54,08
CODE	2030011R00	2030011T00	2030011U00	2030011V00	2030011W00	2030011X00
PIECES PER BOX	20	10	5	4	2	2
PIECES PER CARTON	200	100	30	24	16	12

2700...

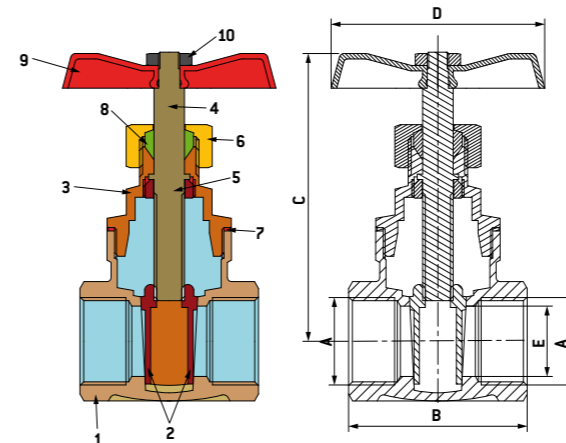
BRONZE GATE VALVE

GATE VALVES



- Bronze gate valve
- Thread: ISO 228
- Temperature range: 0°C to +80°C / min. +32°F to max. +176°F

This valve is particularly indicated for distributing, regulating and shutting off air, steam or fluids that can cause dezincification problems. It is also suitable for use in marine and other aggressive environments. Other excellent fields of application are in plant engineering for plumbing and heating, industry and shipbuilding. Seat seal is provided by a metal-on-metal coupling.



COMPONENTS:

POSN.	PART NAME	No. Pcs.	MATERIAL
1	Body	1	Bronze SN UNI-EN 1982 DIN50930/6
2	Disc	2	Delta brass CS UNI-EN 1982 CB 7535
3	Upper part	1	CW617 UNI-EN 12165
4	Stem	1	CW617N UNI-EN 12164
5	Ring	1	CW617N UNI-EN 12164
6	Gland	1	CW617N UNI-EN 12164
7	Gasket body	1	Guarnital fibre
8	Gasket stem	1	Dutral EPDM90
9	Handwheel	1	Red epoxy-resin plasticized steel
10	Fixed nut Handwheel	1	Galvanised steel

DIMENSIONS MM:

DN	A	B	C	D	E	PN
15	1/2"	38	68	45	15	16
20	3/4"	45	78	50	19	16
25	1"	48	92	55	24	16
32	1.1/4"	51	108	60	32	16
40	1.1/2"	58	125	70	37	16
50	2"	62	145	80	47	16
65	2.1/2"	76	175	100	60	16
80	3"	80	200	100	72	16
100	4"	96	240	120	93	16

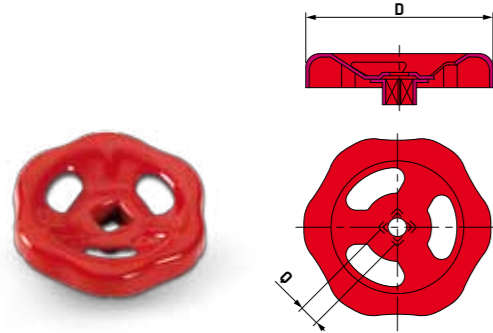
DIMENSIONS INCH:

A	B	C	D	E	PSI
1/2"	1,496	2,667	1,772	0,591	200
3/4"	1,772	3,071	1,969	0,748	200
1"	1,890	3,622	2,165	0,945	200
1.1/4"	2,008	4,252	2,362	1,260	200
1.1/2"	2,283	4,921	2,756	1,457	200
2"	2,441	5,709	3,150	1,850	200
2.1/2"	2,992	6,890	3,937	2,362	200
3"	3,150	7,874	3,937	2,835	200
4"	3,543	9,449	4,724	3,661	200

PACKAGING:

	1/2"	3/4"	1"	1.1/4"	1.1/2"	2"	2.1/2"	3"	4"
CODE	2700610D00	2700610E00	2700610F00	2700610G00	2700610H00	2700610I00	2700610J00	2700610K00	2700610M00
PIECES PER BOX	20	20	10	10	5	5	-	-	-
PIECES PER CARTON	160	100	80	50	35	25	15	12	6

IRON HANDWHEEL



- Iron handwheel for stop valves and globe valves

DIMENSIONS:

SIZE	D=50 Q=6	D=55 Q=6	D=60 Q=6	D=70 Q=7	D=80 Q=8	D=100 Q=10	D=120 Q=12	D=140 Q=14
ACCESSORY CODE	21000004R990	21210006R990	21000008R990	21000011R990	21000013R990	21000015R990	21000017R990	21000019R990
2100	1/4"-3/8" 1/2"-3/4"	-	1"-1.1/4"	1.1/2"	2"	-	2.1/2"-3"	4"
2101	1/4"-3/8" 1/2"-3/4"	-	1"-1.1/4"	1.1/2"	2"	-	2.1/2"-3"	4"
2121	3/8"-1/2"	3/4"-1"	1.1/4"	1.1/2"	-	2"	-	-
2131	3/8"-1/2"	3/4"-1"	1.1/4"	1.1/2"	-	2"	-	-

DRAIN COCK



- Drain cock with gasket for series 2131 bronze valves
- Finish: yellow
- Maximum pressure: PN16

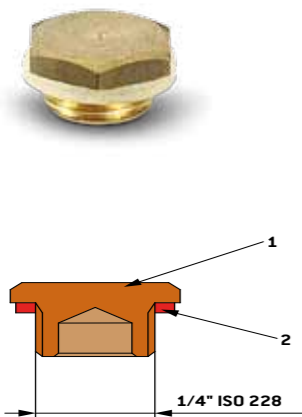
COMPONENTS:

POSN.	PART NAME	No. Pcs.	MATERIAL
1	Relief valve body	1	CW617N UNI-EN 12165
2	Gasket	1	Klinger C6307
3	Stem	1	CW617N UNI-EN 12164
4	Gasket	1	PVC
5	Stem O-ring	1	CW617N UNI-EN 12164

DIMENSIONS:

SIZE	1/4"
ACCESSORY CODE	34110002

CAP WITH GASKET



- Cap with gasket for series 2131 valves
- Finish: yellow

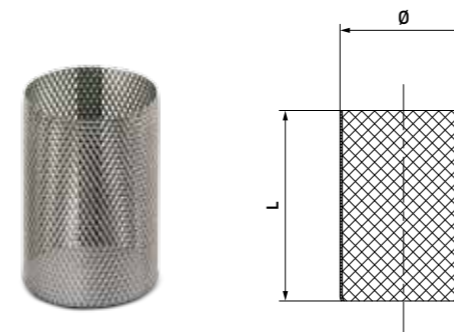
COMPONENTS:

POSN.	PART NAME	No. Pcs.	MATERIAL
1	Cap	1	CW617N UNI-EN 12164
2	Gasket	1	Klinger C6307

DIMENSIONS:

SIZE	1/4"
ACCESSORY CODE	21310002XA

BRONZE STRAINER SPARE

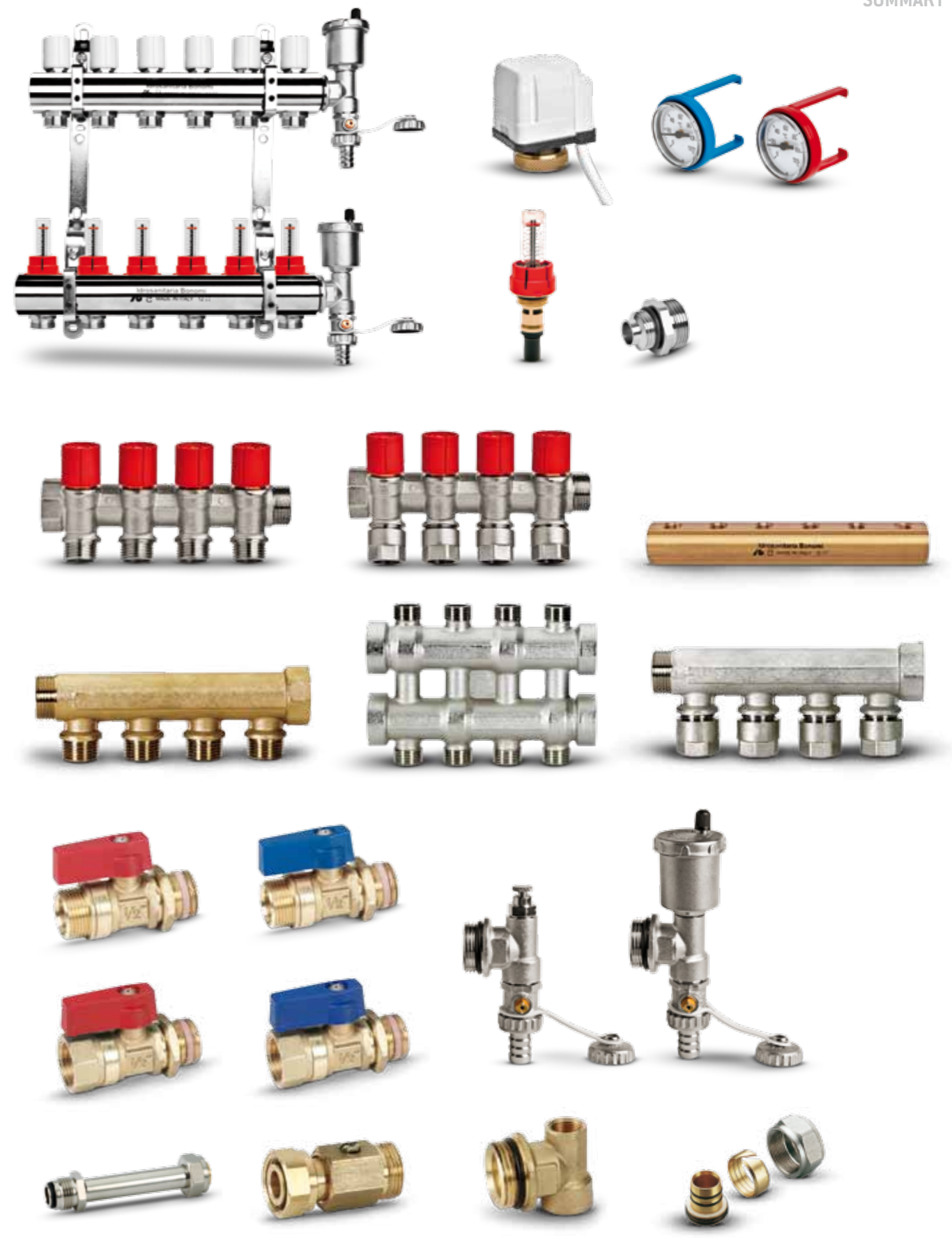


- Stainless steel 900 micron - 18 mesh strainer cartridge for bronze Y valves
- For sizes 3" and 4" only available with 800 micron hole - 16 mesh
- On request: 500 micron hole - 40 mesh
350 micron hole - 50 mesh
200 micron hole - 80 mesh
140 micron hole - 100 mesh

DIMENSIONS:

SIZE	Ø=17 L=30,5	Ø=24 L=36,5	Ø=28 L=42	Ø=36 L=51,5	Ø=41 L=59,5	Ø=57 L=68	Ø=68,5 L=89	Ø=75 L=102	Ø=102 L=143
ACCESSORY CODE	20000004X390	20000006X390	20000008X390	20000010X390	20000011X390	20000013X390	20000015X390	20000017X390	20000019X390
2000	3/8" - 1/2"	3/4"	1"	1.1/4"	1.1/2"	2"	2.1/2"	3"	4"
2010	3/8" - 1/2"	3/4"	1"	1.1/4"	1.1/2"	2"	-	-	-
2030	3/8" - 1/2"	3/4"	1"	1.1/4"	1.1/2"	2"	-	-	-

SUMMARY



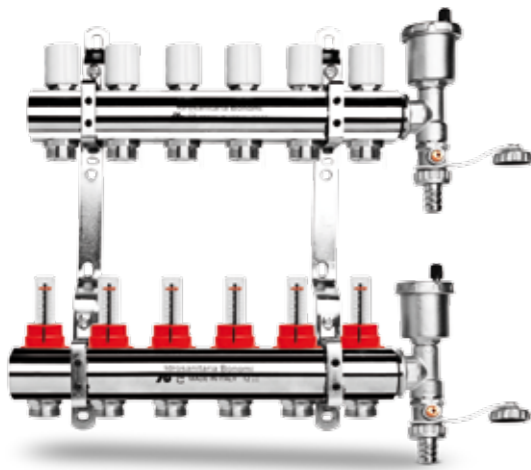
► Idrosanitaria Bonomi
ALWAYS EVOLVING



3729...

PRE-ASSEMBLED MANIFOLD

MANIFOLD



- Pre-assembled manifold from bar
- Finish: Nickel
- Threads: ISO 228
- Temperature range: min. 0 °C - Max 95 °C

The manifold is particularly suitable for the distribution, interception and regulation of heat transfer fluids. The pre-assembled manifold is composed of flow meters and flow regulators for balancing of circuits and interception valves arranged for the electric actuator. Both manifolds are provided by terminals of automatic vent and valves for loading / unloading facility. The temperature control in each room allows a proper management of thermal loads of the project, while conserving energy, greatly improving the environmental well-being.

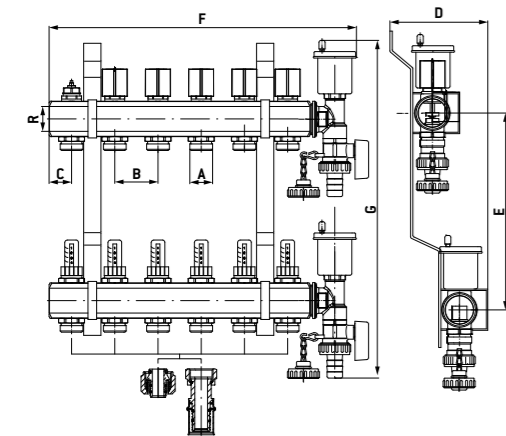
NOTE: The manifold terminal (7) are supplied disassembled in separate packages.

COMPONENTS:

POSN.	PART NAME	No. Pcs.	MATERIAL
1	Manifold	1	CW617N UNI EN 12168 Nickel-plated
2	Upper part	1	CW617N UNI EN 12164 Nickel-plated
3	Connector	1	CW617N UNI EN 12164 Nickel-plated
4	Handle	1	ABS plastic
5	Flowmeter	1	-
6	Bracket	1	Iron galvanized
7	Manifold terminal (relief valve + connector + ball valve)	1	-

DIMENSIONS:

N. WAYS	R	A	B	C	D	E	F	G	PN
3	1"	3/4"	50	26	60	210	200	370	10
4	1"	3/4"	50	26	60	210	250	370	10
5	1"	3/4"	50	26	60	210	300	370	10
6	1"	3/4"	50	26	60	210	350	370	10
7	1"	3/4"	50	26	60	210	400	370	10
8	1"	3/4"	50	26	60	210	450	370	10
9	1"	3/4"	50	26	60	210	500	370	10
10	1"	3/4"	50	26	60	210	550	370	10
11	1"	3/4"	50	26	60	210	600	370	10
12	1"	3/4"	50	26	60	210	650	370	10
13	1"	3/4"	50	26	60	210	700	370	10



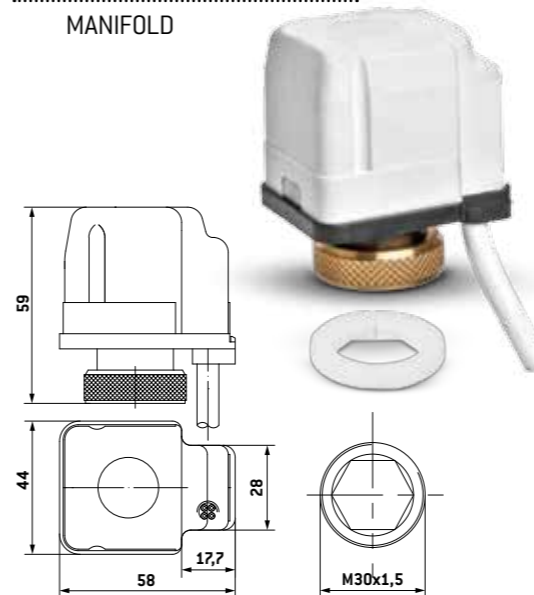
PACKAGING:

	3 WAYS	4 WAYS	5 WAYS	6 WAYS	7 WAYS	8 WAYS	9 WAYS	10 WAYS	11 WAYS	12 WAYS	13 WAYS
CODE	37290308	37290408	37290508	37290608	37290708	37290808	37290908	37291008	37291108	37291208	37291308
PIECES PER BOX	-	-	-	-	-	-	-	-	-	-	-
PIECES PER CARTON	3	3	2	1	1	1	1	1	1	1	1

37290001

ELECTROTHERMAL ACTUATOR 4 WIRE

MANIFOLD



- Linear motion
- Normally closed
- Head run: 4 mm
- Power supply: 230VAC/DC
- Power consumption: 2.5 W
- Degree of protection: IP 54 can be installed in any position
- Power Cord: type H05V2V2-F
- Final stage of opening or closing: 3 minutes
- Temperature range: min. 0 °C - Max 95 °C
- Viewer Location: red - black
- Housing material: self-extinguishing V0
- Attack valve: brass ring M30x1, 5

Electrothermic heads allow the opening / closing in automatic of the collectors' valves. The command of the head is done through a thermostat positioned in each room that, according to the request, opens or closes the circuit of heating / cooling. The version has 4 wires, blue - brown - black for AUX - gray for AUX with cable length of 1mt and auxiliary contact of end run for the circulators command and the zone valves.

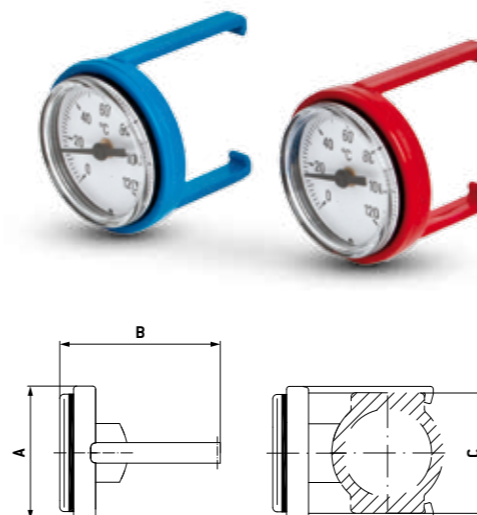
DIMENSIONS:

ACCESSORY CODE	37290001
----------------	----------

37290008...

THERMOMETER

MANIFOLD



- Thermometers for inlet and outlet manifolds
- Clip-on
- Available colors red and blue
- Temperature range: min. 0°C - 120°C max
- Sold in pairs

DIMENSIONS:

A	B	C
Ø 45,5	55	40,8

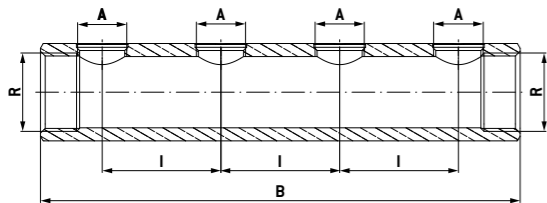
DIMENSIONS:

	BLUE	RED
ACCESSORY CODE	37290008B	37290008R

3730...

SINGLE MANIFOLD

MANIFOLDS



- 1" single manifold from bar
- Finish: yellow
- Thread: ISO 228

DIMENSIONS:

No. WAYS	R	A	I	B	PN
2	1"	1/2"	50	102	10
3	1"	1/2"	50	152	10
4	1"	1/2"	50	202	10
5	1"	1/2"	50	252	10
6	1"	1/2"	50	302	10
7	1"	1/2"	50	352	10
8	1"	1/2"	50	402	10
9	1"	1/2"	50	452	10
10	1"	1/2"	50	502	10
11	1"	1/2"	50	552	10
12	1"	1/2"	50	602	10
13	1"	1/2"	50	652	10

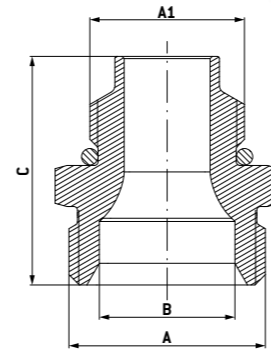
PACKAGING:

	2 WAYS 1"	3 WAYS 1"	4 WAYS 1"	5 WAYS 1"	6 WAYS 1"	7 WAYS 1"	8 WAYS 1"	9 WAYS 1"	10 WAYS 1"	11 WAYS 1"	12 WAYS 1"	13 WAYS 1"
CODE	37300208	37300308	37300408	37300508	37300608	37300708	37300808	37300908	37301008	37301108	37301208	37301308
PIECES PER BOX	-	-	-	-	-	-	-	-	-	-	-	-
PIECES PER CARTON	30	20	25	20	15	10	10	10	10	10	10	10

37290604XA...

OUTLET CONNECTOR FOR MANIFOLD

MANIFOLDS



- Connector for inlet and outlet manifolds

DIMENSIONS:

A	A1	B	C
3/4"	1/2"	18,1	30,6

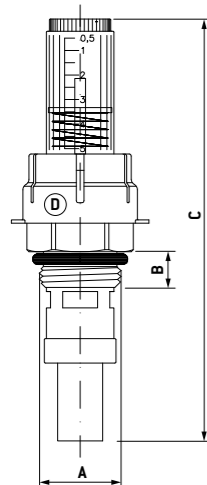
DIMENSIONS:

ACCESSORY CODE	37290604XA
----------------	------------

37290004XD...

FLOWMETER

MANIFOLD



- Flowmeter

Allow to set the flow and balancing the heating circuit.
The regulating flow meters can be secured by a block cap (D), in case of need the caps can be sealed with lead seal.

DIMENSIONS:

A	B	C
1/2"	?	100

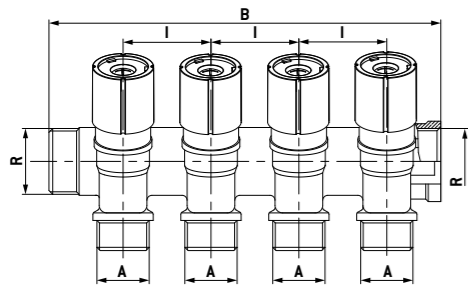
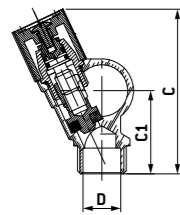
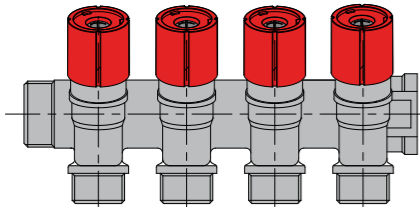
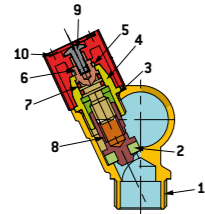
DIMENSIONS:

ACCESSORY CODE	37290004XD
----------------	------------

3745...

MANIFOLD WITH VALVE

MANIFOLDS



- Manifold with valves
- Finish: nickel-plated
- 1/2" side connections
- Available also with blue handle
- Thread: ISO 228
- Temperature range: 0°C to 95°C

This manifold is particularly indicated for distributing and shutting off fluids for sanitary and heating systems. Other excellent fields of application are in plant engineering for plumbing and heating and industry. Seat seal is provided by an EPDM Perox gasket, which is ideal for use with water and glycol solutions max 50%.

COMPONENTS:

POSN.	PART NAME	No. Pcs.	MATERIAL
1	Body	1	CW617N UNI EN 12165 Nickel-plated
2	Seal	1	EPDM Perox
3	Upper part O-ring	1	EPDM Perox
4	Upper part	1	CW617N UNI EN 12164
5	Snap ring	1	Phosphorous bronze
6	Stem	1	CW617N UNI EN 12164
7	O-ring	2	EPDM Perox
8	Valve	1	CW617N UNI EN 12164
9	Screw	1	Stainless steel
10	Handle	1	ABS

DIMENSIONS:

N. WAYS	R	A	I	B	C1	C	D	PN
2	3/4"	1/2"	35	83	36	73	16,1	10
2	1"	1/2"	35	90	37	77	16,1	10
3	3/4"	1/2"	35	118	36	73	16,1	10
3	1"	1/2"	35	125	37	77	16,1	10
4	3/4"	1/2"	35	153	36	73	16,1	10
4	1"	1/2"	35	158	37	77	16,1	10

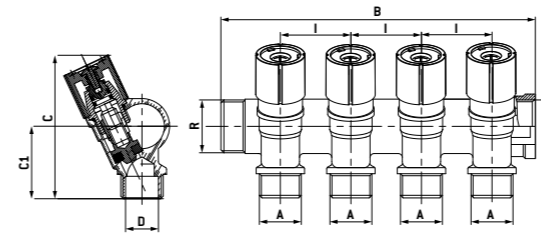
PACKAGING:

	2 WAYS 3/4"	2 WAYS 1"	3 WAYS 3/4"	3 WAYS 1"	4 WAYS 3/4"	4 WAYS 1"
CODE RED HANDLE	37450206R	37450208R	37450306R	37450308R	37450406R	37450408R
CODE BLUE HANDLE	37450206B	37450208B	37450306B	37450308B	37450406B	37450408B
PIECES PER BOX	5	5	5	5	5	5
PIECES PER CARTON	80	50	50	50	40	40

3735...

MANIFOLD WITH VALVES

MANIFOLDS



- Manifold with valves
- Finish: nickel-plated
- M22x1,5 side connections
- Available also with blu handle
- Threads: ISO 228 and METRIC
- Temperature range: 0°C to 95°C

DIMENSIONS:

N. WAYS	R	A	I	B	C1	C	D	PN
2	3/4"	M22x1,5	35	83	35,5	73	16,1	10
2	1"	M22x1,5	35	90	36,5	77	16,1	10
3	3/4"	M22x1,5	35	118	35,5	73	16,1	10
3	1"	M22x1,5	35	125	36,5	77	16,1	10
4	3/4"	M22x1,5	35	153	35,5	73	16,1	10
4	1"	M22x1,5	35	158	36,5	77	16,1	10

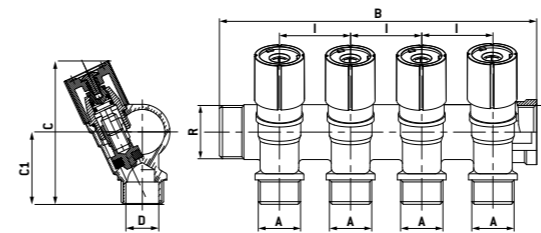
PACKAGING:

	2 WAYS 3/4"	2 WAYS 1"	3 WAYS 3/4"	3 WAYS 1"	4 WAYS 3/4"	4 WAYS 1"
CODE RED HANDLE	37350206R	37350208R	37350306R	37350308R	37350406R	37350408R
CODE BLUE HANDLE	37350206B	37350208B	37350306B	37350308B	37350406B	37350408B
PIECES PER BOX	5	5	5	5	5	5
PIECES PER CARTON	80	50	50	50	50	40

3727...

MANIFOLD WITH VALVES

MANIFOLDS



- Manifold with valves
- Finish: nickel-plated
- 24x19 side connections
- Available also with blu handle
- Threads: ISO 228 and 24x19
- Temperature range: 0°C to 95°C

DIMENSIONS:

N. WAYS	R	A	I	B	C1	C	D	PN
2	3/4"	24x19	35	83	36	73	18,1	10
2	1"	24x19	35	90	37	77	18,1	10
3	3/4"	24x19	35	118	36	73	18,1	10
3	1"	24x19	35	125	37	77	18,1	10
4	3/4"	24x19	35	153	36	73	18,1	10
4	1"	24x19	35	158	37	77	18,1	10

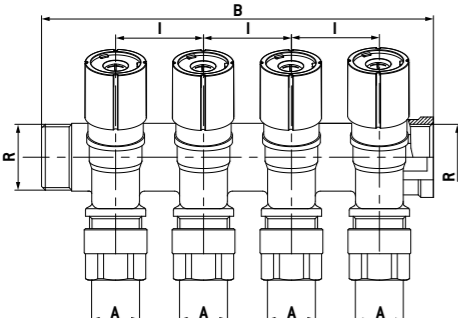
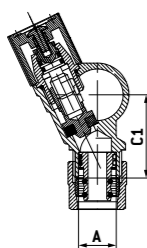
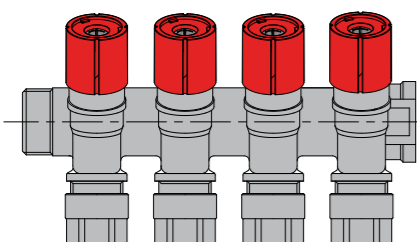
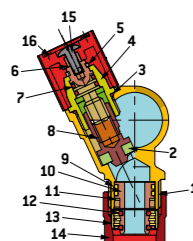
PACKAGING:

	2 WAYS 3/4"	2 WAYS 1"	3 WAYS 3/4"	3 WAYS 1"	4 WAYS 3/4"	4 WAYS 1"
CODE RED HANDLE	37270206R	37270208R	37270306R	37270308R	37270406R	37270408R
CODE BLUE HANDLE	37270206B	37270208B	37270306B	37270308B	37270406B	37270408B
PIECES PER BOX	5	5	5	5	5	5
PIECES PER CARTON	80	50	50	50	50	40

3751...

MANIFOLD WITH VALVE

MANIFOLDS



- Manifold with valves and PEX-AL-PEX adaptors
- Finish: nickel-plated
- Available also with blue handle
- Thread: ISO 228
- Temperature range: 0°C to 95°C

This manifold is particularly indicated for distributing and shutting off fluids for sanitary and heating systems. Other excellent fields of application are in plant engineering for plumbing and heating and industry. Seat seal is provided by an EPDM Perox gasket, which is ideal for use with water and glycol solutions max 50%.

COMPONENTS:

POSN.	PART NAME	No. Pcs.	MATERIAL
1	Body	1	CW617N UNI EN 12165 Nickel-plated
2	Seal	1	EPDM Perox
3	Upper part O-ring	1	EPDM Perox
4	Upper part	1	CW617N UNI EN 12164
5	Snap ring	1	Phosphorous bronze
6	Stem	1	CW617N UNI EN 12164
7	O-ring	2	EPDM Perox
8	Valve	1	CW617N UNI EN 12164
9	O-Ring	2	EPDM Perox
10	Hose-end pipe	1	CW617N UNI EN 12164
11	Seal	1	PTFE
12	O-Ring	2	EPDM Perox
13	Olive	1	CW617N UNI EN 12164
14	Nut	1	CW617N UNI EN 12164 Nickel-plated
15	Screw	1	Stainless steel
16	Handle	1	Plastic

DIMENSIONS:

N. WAYS	R	A	I	B	PN
2	3/4"	16	35	83	10
2	1"	16	35	90	10
3	3/4"	16	35	118	10
3	1"	16	35	125	10
4	3/4"	16	35	153	10
4	1"	16	35	158	10

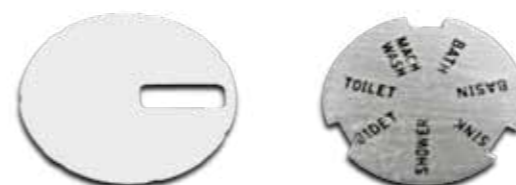
PACKAGING:

	2 WAYS 3/4"	2 WAYS 1"	3 WAYS 3/4"	3 WAYS 1"	4 WAYS 3/4"	4 WAYS 1"
CODE RED HANDLE	37510206R16	37510208R16	37510306R16	37510308R16	37510406R16	37510408R16
CODE BLUE HANDLE	37510206B16	37510208B16	37510306B16	37510308B16	37510406B16	37510408B16
PIECES PER BOX	5	5	5	5	5	5
PIECES PER CARTON	80	50	50	50	50	40

3745000WA...

COVER AND DISC INDICATOR

MANIFOLDS



- Cover and disc indicator

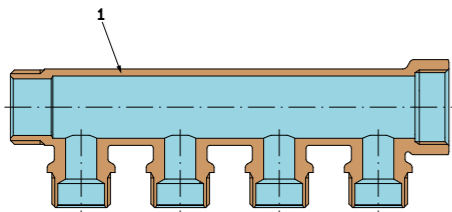
DIMENSIONS:

ACCESSORY CODE	3745000WA
----------------	-----------

3740...

SINGLE MANIFOLD

MANIFOLDS



- Single manifold
- 1/2" side connections
- Finish: sandblasted yellow or sandblasted and nickel plated
- Thread: ISO 228
- Temperature range: 0°C to 95°C

This manifold is particularly indicated for distributing fluids for sanitary and heating systems. Other excellent fields of application are in plant engineering for plumbing and heating and industry.

COMPONENTS:

POSN.	PART NAME	No. Pcs.	MATERIAL
1	Body	1	CW617N UNI EN 12165

DIMENSIONS:

N. WAYS	R	A	I	B	D	PN
2	3/4"	1/2"	35	83	16,1	10
2	1"	1/2"	35	90	16,1	10
3	3/4"	1/2"	35	118	16,1	10
3	1"	1/2"	35	125	16,1	10
4	3/4"	1/2"	35	153	16,1	10
4	1"	1/2"	35	158	16,1	10
5	1"	1/2"	36	193	16,1	10
5	1"	1/2"	36	193	16,1	10

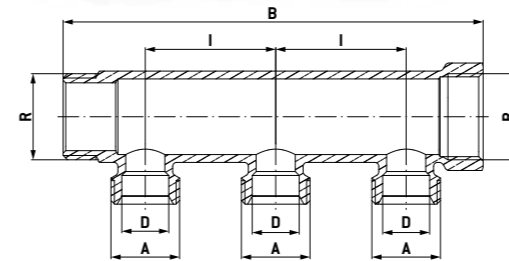
PACKAGING:

	2 WAYS 3/4"	2 WAYS 1"	3 WAYS 3/4"	3 WAYS 1"	4 WAYS 3/4"	4 WAYS 1"	5 WAYS 3/4"	5 WAYS 1"
CODE YELLOW	37400206	37400208	37400306	37400308	37400406	37400408	37400506	37400508
CODE NICKEL PLATED	37401206	37401208	37401306	37401308	37401406	37401408	37401506	37401508
PIECES PER BOX	-	-	-	-	-	-	-	-
PIECES PER CARTON	150	100	75	50	75	50	40	40

3738...

SINGLE MANIFOLD

MANIFOLDS



DIMENSIONS:

N. WAYS	R	A	I	B	D	PN
2	1"	3/4"	50	109	18	10
3	1"	3/4"	50	161	18	10

PACKAGING:

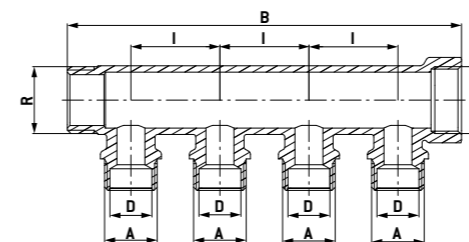
	2 WAYS 1"	3 WAYS 1"
CODE YELLOW	37380208	37380308
CODE NICKEL PLATED	37381208	37381308
PIECES PER BOX	5	5
PIECES PER CARTON	50	50

- Single manifold
- 3/4" side connections
- Finish: sandblasted yellow or sandblasted and nickel plated
- Thread: ISO 228
- Temperature range: 0°C to 95°C

3736...

SINGLE MANIFOLD

MANIFOLDS



DIMENSIONS:

N. WAYS	R	A	I	B	D	PN
2	3/4"	M22x1,5	35	83	16,1	10
2	1"	M22x1,5	35	90	16,1	10
3	3/4"	M22x1,5	35	118	16,1	10
3	1"	M22x1,5	35	125	16,1	10
4	3/4"	M22x1,5	35	153	16,1	10
4	1"	M22x1,5	35	158	16,1	10
5	1"	M22x1,5	36	193	16,1	10
5	1"	M22x1,5	36	193	16,1	10

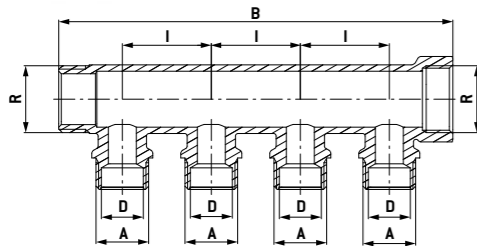
PACKAGING:

	2 WAYS 3/4"	2 WAYS 1"	3 WAYS 3/4"	3 WAYS 1"	4 WAYS 3/4"	4 WAYS 1"	5 WAYS 3/4"	5 WAYS 1"
CODE YELLOW	37360206	37360208	37360306	37360308	37360406	37360408	37360506	37360508
CODE NICKEL PLATED	37361206	37361208	37361306	37361308	37361406	37361408	37361506	37361508
PIECES PER BOX	-	-	-	-	-	-	-	-
PIECES PER CARTON	150	100	100	100	75	50	40	40

3737...

SINGLE MANIFOLD

MANIFOLDS



- Single manifold
- 24x19 side connections
- Finish: sandblasted yellow or sandblasted and nickel plated
- Threads: ISO 228 and 24x19
- Temperature range: 0° C to 95°

DIMENSIONS:

N. WAYS	R	A	I	B	D	PN
2	3/4"	24x19	35	83	18,1	10
2	1"	24x19	35	90	18,1	10
3	3/4"	24x19	35	118	18,1	10
3	1"	24x19	35	125	18,1	10
4	3/4"	24x19	35	153	18,1	10
4	1"	24x19	35	158	18,1	10
5	1"	24x19	36	193	18,1	10
5	1"	24x19	36	193	18,1	10

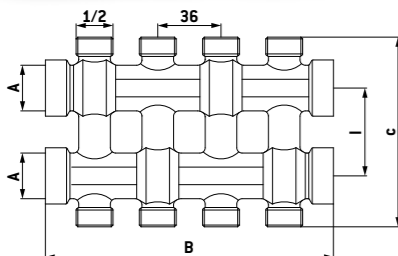
PACKAGING:

	2 WAYS 3/4"	2 WAYS 1"	3 WAYS 3/4"	3 WAYS 1"	4 WAYS 3/4"	4 WAYS 1"	5 WAYS 3/4"	5 WAYS 1"
CODE YELLOW	37370206	37370208	37370306	37370308	37370406	37370408	37370506	37370508
CODE NICKEL PLATED	37371206	37371208	37371306	37371308	37371406	37371408	37371506	37371508
PIECES PER BOX	-	-	-	-	-	-	-	-
PIECES PER CARTON	150	100	100	100	75	50	40	40

3742...

COPLANAR MANIFOLD

MANIFOLDS



- Coplanar manifold
- Finish: sandblasted and nickel plated
- Thread: ISO 228

DIMENSIONS:

N. WAYS	A	B	C	I	PN
4	3/4"	164	108	50	10
4	1"	164	116	52	10
6	3/4"	236	108	50	10
6	1"	236	116	52	10
8	3/4"	308	108	50	10
8	1"	308	116	52	10

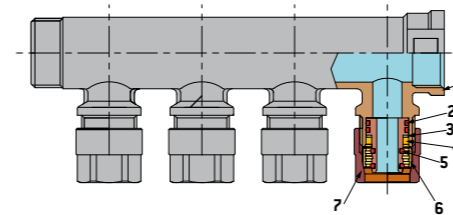
PACKAGING:

	4 WAYS 3/4"	4 WAYS 1"	6 WAYS 3/4"	6 WAYS 1"	8 WAYS 3/4"	8 WAYS 1"
CODE	37420406	37420408	37420606	37420608	37420806	37420808
PIECES PER BOX	-	-	-	-	-	-
PIECES PER CARTON	2	2	2	2	2	2

3752...

MANIFOLD WITH ADAPTORS

MANIFOLDS



- Manifold with valves and PEX-AL-PEX adaptors
- Finish: sandblasted and nickel plated
- Thread: ISO 228
- Temperature range: 0° C to 95° C

This manifold is particularly indicated for distributing fluids for sanitary and heating systems. Other excellent fields of application are in plant engineering for plumbing and heating and industry.

COMPONENTS:

POSN.	PART NAME	No. Pcs.	MATERIAL
1	Body	1	CW617N UNI EN 12165 Nickel-plated
2	O-ring	2	EPDM Perox
3	Seal	1	PTFE
4	Hose-end pipe	1	CW617N UNI EN 12164
5	O-ring	2	EPDM Perox
6	Olive	1	CW617N UNI EN 12164
7	Nut	1	CW617N UNI EN 12164 Nickel-plated

DIMENSIONS:

N. WAYS	R	A	I	B	PN
2	3/4"	16	35	83	10
2	1"	16	35	90	10
3	3/4"	16	35	118	10
3	1"	16	35	125	10
4	3/4"	16	35	153	10
4	1"	16	35	158	10
5	3/4"	16	36	193	10
5	1"	16	36	193	10

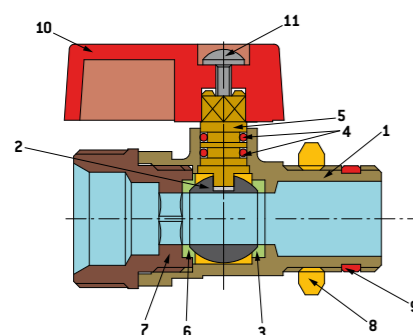
PACKAGING:

	2 WAYS 3/4"	2 WAYS 1"	3 WAYS 3/4"	3 WAYS 1"	4 WAYS 3/4"	4 WAYS 1"	5 WAYS 3/4"	5 WAYS 1"
CODE	3752120616	3752120816	3752130616	3752130816	3752140616	3752140816	3752150616	3752150816
PIECES PER BOX	5	5	5	5	5	5	5	5
PIECES PER CARTON	75	50	50	40	50	30	30	20

77620000R...

MINI-BALL VALVE

MANIFOLDS



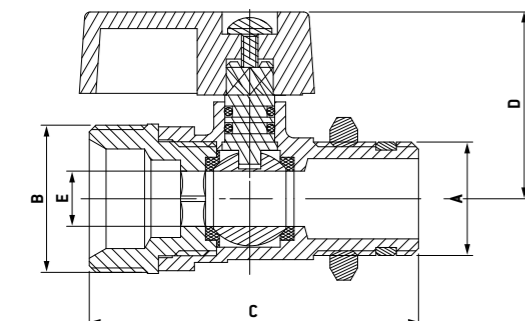
- M/M mini-ball output for manifolds 1/2" – M22x1,5 red handle
- Threads: ISO 228 and METRIC
- Temperature range: 0° - 95° C

COMPONENTS:

POSN.	PART NAME	No. Pcs.	MATERIAL
1	Body	1	CW617N UNI EN 12165
2	Ball	1	CW617N UNI EN 12164 Chromed-plated
3	Seal	1	PTFE
4	O-ring	2	EPDM Perox
5	Stem	1	CW617N UNI EN 12164
6	Seal	1	PTFE
7	End connection M22x1,5	1	CW617N UNI EN 12164
8	Nut	1	CW617N UNI EN 12164
9	Gasket	1	PTFE
10	Handle	1	Nylon
11	Screw	1	Stainless steel

DIMENSIONS:

A	B	C	D	E	PN
1/2"	M22x1,5	60	33	10	25



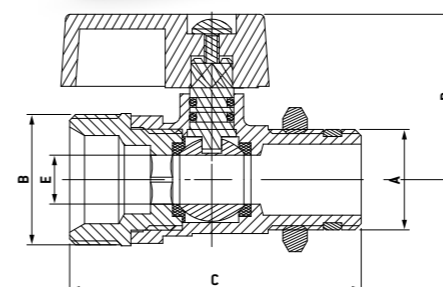
PACKAGING:

1/2"xM22x1,5	
CODICE	77620000R
PIECES PER BOX	20
PIECES PER CARTON	200

77620000B...

MINI-BALL VALVE

MANIFOLDS



- M/M mini-ball output for manifolds 1/2" – M22x1,5 blue handle
- Threads: ISO 228 and METRIC
- Temperature range: 0° - 95° C

DIMENSIONS:

A	B	C	D	E	PN
1/2"	M22x1,5	59,5	33	10	25

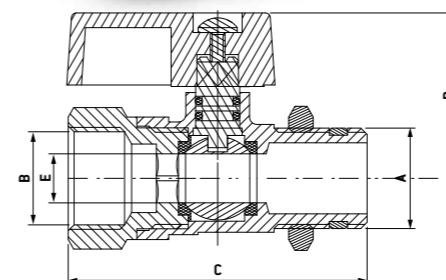
PACKAGING:

1/2"xM22x1,5	
CODICE	77620000B
PIECES PER BOX	20
PIECES PER CARTON	200

77630004R...

MINI-BALL VALVE

MANIFOLDS



- M/F mini-ball output for manifolds 1/2" red handle
- Thread: ISO 228
- Temperature range: 0° - 95° C

DIMENSIONS:

A	B	C	D	E	PN
1/2"	1/2"	61	33	10	25

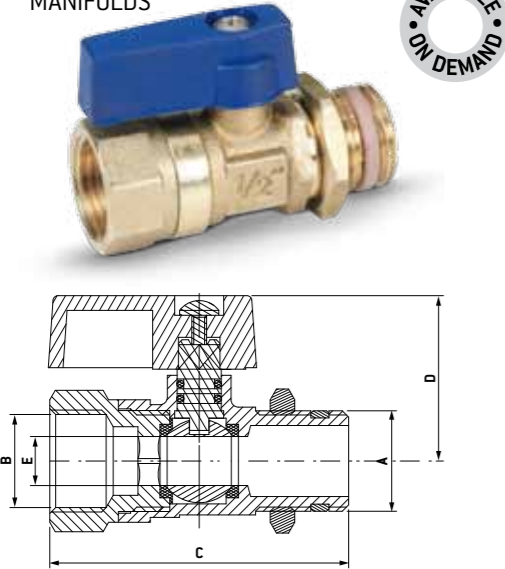
PACKAGING:

1/2"x1/2"	
CODICE	77630004R
PIECES PER BOX	20
PIECES PER CARTON	200

77630004B...

MINI-BALL VALVE

MANIFOLDS



AVAILABLE ON DEMAND

- M/F mini-ball output for manifolds 1/2" blue handle
- Thread: ISO 228
- Temperature range: 0° - 95° C

DIMENSIONS:

A	B	C	D	E	PN
1/2"	1/2"	60	33	10	25

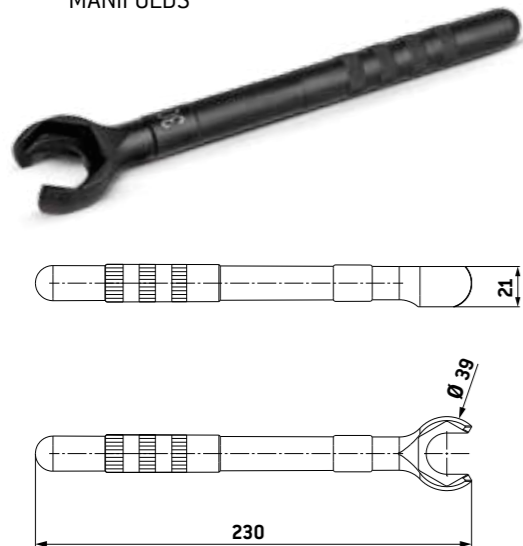
PACKAGING:

CODE	1/2"x1/2"
77630004B	
PIECES PER BOX	20
PIECES PER CARTON	200

96802530...

WRENCH FOR MANIFOLDS

MANIFOLDS



- Wrench for tightening manifolds 25-30 mm.

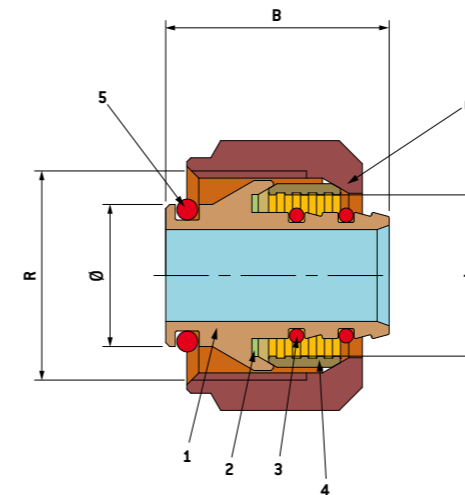
PACKAGING:

CODE	96802530VM
PIECES PER BOX	-
PIECES PER CARTON	-

3980...

PIPE ADAPTOR

MANIFOLDS



- Pex-Al-Pex pipe adaptor
- Maximum operating pressure: 10 bar
- Temperature range: 0 - 95°C

COMPONENTS:

POSN.	PART NAME	No. Pcs.	MATERIAL
1	Hose-end pipe	1	CW617N UNI EN 12164
2	Washer	1	PTFE
3	O-Ring	2	EPDM Perox
4	Olive	1	CW617N UNI EN 12164
5	O-Ring	1	EPDM Perox
6	Nut	1	CW617N UNI EN 12165 Nickel-plated

DIMENSIONS:

A	R	Ø	B
14	1/2"	16	24
14	24x19	18	23
16	1/2"	16	25
16	24x19	18	24
16	3/4"	18	25
18	24x19	18	26
18	3/4"	18	26
20	24x19	18	25,5
20	3/4"	18	28

PIPE'S DIAMETER AND THICKNESS:

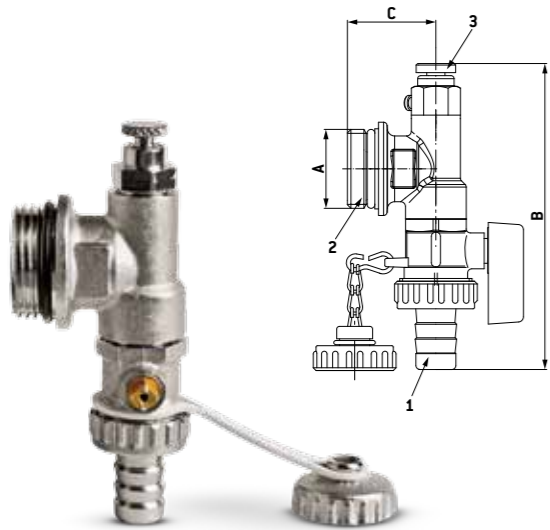
Ø	Thickness
14	2
16	2
18	2
20	2

PACKAGING:

	14-1/2"	16-1/2"	14-24x19	16-24x19	18-24x19	20-24x19	16-3/4"	18-3/4"	20-3/4"
ACCESSORY CODE	39801404	39801604	39801405	39801605	39801805	39802005	39801606	39801806	39802006
PIECES PER BOX	10	10	10	10	10	50	10	10	10
PIECES PER CARTON	250	250	250	250	250	400	250	250	250

3753...

MANIFOLD TERMINAL



- Manifold terminal with relief valve
- Finishes available: sandblasted
sandblasted and nickel plated

COMPONENTS:

POSN.	PART NAME
1	1/2" boiler ball drain valve with lever
2	F/M/F tee with O-ring
3	Drain cock with O-ring

DIMENSIONS:

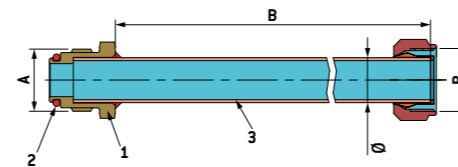
A	B	C	PN
3/4"	120	37	10
1"	120	37	10

DIMENSIONS:

	3/4"	1"
CODE YELLOW	37530006	37530008
CODE NICKEL-PLATED	37531106	37531108

9620...

FITTING EXTENSION



DIMENSIONS:

POSN.	PART NAME	No. Pcs.	MATERIAL
1	Fitting	1	CW617N UNI-EN 12164 Nickel-plated
2	O-ring	1	EPDM Perox
3	Pipe	1	Nickel copper

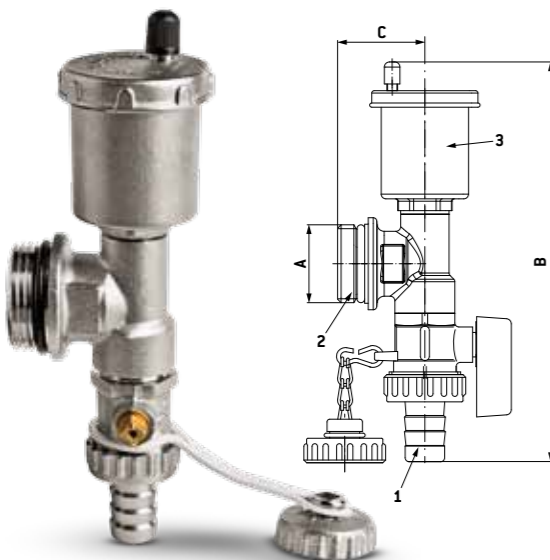
DIMENSIONS:

ACCESSORY CODE	96200804	96202004
SIZE A	1/2"	1/2"
SIZE B	80	200
SIZE R	M22x1,5	M22x1,5
SIZE Ø	15	15

- Fitting extension with copper pipe
- Maximum operating pressure: 10 bar
- Temperature range: 0 - 95°C

3754...

MANIFOLD TERMINAL



- Manifold terminal with automatic relief valve
- Finishes available: sandblasted
sandblasted and nickel plated

COMPONENTS:

POSN.	PART NAME
1	1/2" boiler ball drain valve with cap key
2	F/M/F tee with O-ring
3	3/8" automatic relief valve

DIMENSIONS:

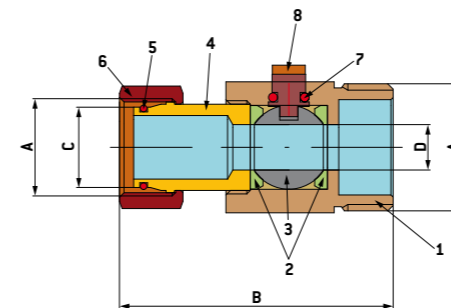
A	B	C	PN
3/4"	165	37	10
1"	165	37	10

DIMENSIONS:

	3/4"	1"
CODE YELLOW	37540006	37540008
CODE NICKEL-PLATED	37541106	37541108

9698...

MINI-BALL WITH SWIVEL NUT



- M22x1.5 mini-ball with swivel nut
- Temperature range: -10°C to +90°C

COMPONENTS:

POSN.	PART NAME	No. Pcs.	MATERIAL
1	Body	1	CW617N UNI-EN 12164
2	Seal	2	PTFE
3	Ball	1	CW14N UNI-EN 12164 Nickel-plated
4	Connection	1	CW617N UNI-EN 12164
5	Connection O-ring	1	NBR
6	Nut	1	CW617N UNI-EN 12164
7	Stem O-ring	1	NBR
8	Screwdriver stem	1	CW617N UNI-EN 12164 Nickel-plated

DIMENSIONS:

A	B	C	D	PN
M22x1,5	50	16	10	10

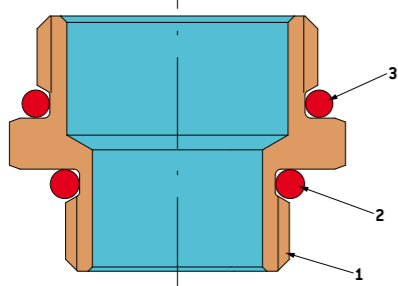
DIMENSIONS:

ACCESSORY CODE	M22x1,5
	96980000

9610...

MALE/MALE COUPLING

MANIFOLDS



- Male/Male coupling with O-ring
- Maximum operating pressure: 10 bar
- Thread: ISO 228
- Temperature range: 0 - 95°C

COMPONENTS:

POSN.	PART NAME	No. Pcs.	MATERIAL
1	Body	1	CW617N UNI EN 12164
2	O-Ring	1	EPDM Perox
3	O-Ring	1	EPDM Perox

DIMENSIONS:

A	A1	B	PN
3/4"	1/2"	25	10
1"	3/4"	30	10
1"	1"	30	10

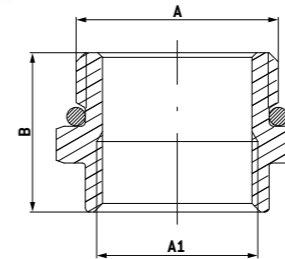
PACKAGING:

	3/4" - 1/2"	3/4" - 1"	1" - 1"
ACCESSORY CODE	96100604	96100806	96100808
PIECES PER BOX	10	10	10
PIECES PER CARTON	200	200	200

9611...

MALE/FEMALE COUPLING

MANIFOLDS



DIMENSIONS:

A	A1	B	PN
1"	1/2"	26	10
1"	3/4"	26	10

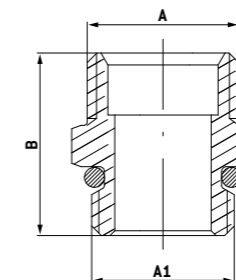
PACKAGING:

	1"x1/2"	1"x3/4"
ACCESSORY CODE	96110804	96110806
PIECES PER BOX	10	10
PIECES PER CARTON	200	200

9612...

MALE/MALE COUPLING

MANIFOLDS



- M22x1.5 - 1/2" ISO 228 Male/Male coupling with O-ring
- Maximum operating pressure: 10 bar
- Temperature range: 0 - 95°C

DIMENSIONS:

A	A1	B	PN
M22x1,5	1/2"	27	10

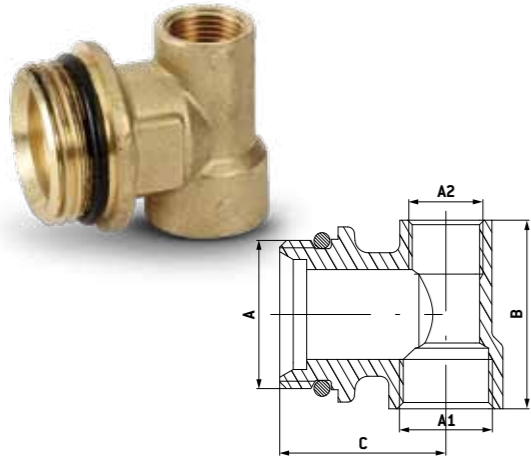
PACKAGING:

	M22x1,5 - 1/2"
ACCESSORY CODE	96120004
PIECES PER BOX	25
PIECES PER CARTON	400

9616...

BRASS END COUPLING

MANIFOLDS



- FxMxF tee coupling with O-ring
- Finishes available: sandblasted sandblasted and nickel plated
- Maximum operating pressure: 10 bar
- Thread: ISO 228
- Temperature range: 0 - 95°C

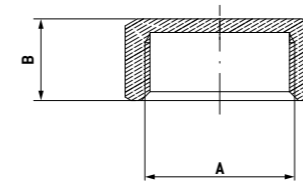
DIMENSIONS:

A	A1	A2	B	C	PN
1"	1/2"	3/8"	42	37	10
3/4"	1/2"	3/8"	42	37	10

DIMENSIONS:

	3/4" x 3/8" x 1/2"	1" x 3/8" x 1/2"
COD. YELLOW	96160006	96160008
COD. NICKEL-PLATED	96161106	96161108
PIECES PER BOX	10	10
PIECES PER CARTON	120	120

FEMALE CAP



- Female cap

COMPONENTS:

POSN.	PART NAME	No. Pcs.	MATERIAL
1	Body	1	CW617N UNI EN 12165

DIMENSIONS:

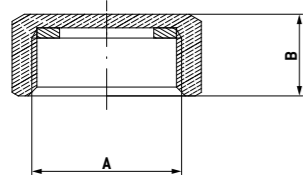
A	B
3/4"	12
1"	14

DIMENSIONS:

ACCESSORY CODE YELLOW	37400006L910	37400008L910
ACCESSORY CODE NICKEL-PLATED	37400006X910	37400008X910
SIZE A	3/4"	1"

9619...

FEMALE CAP



- M22x1,5 female cap with washer

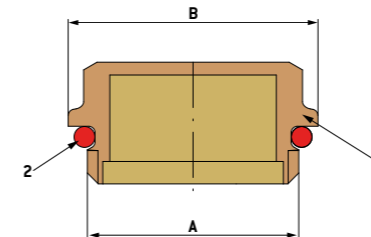
DIMENSIONS:

A	B	PN
M22x1,5	12	10

DIMENSIONS:

SIZE A	M22x1,5
ACCESSORY CODE	96190000

MALE CAP



- Male cap with O-ring
- Temperature range: 0 - 95°

COMPONENTS:

POSN.	PART NAME	No. Pcs.	MATERIAL
1	Cap	1	from 3/8" to 1/2" CW617N UNI-EN 12164 from 3/4" to 1.1/4" CW617N UNI-EN 12165
2	Seal O-Ring	1	NBR

DIMENSIONS:

ACCESSORY CODE YELLOW	96180003	19000004XA	19000006XA	19000008XA	19000010XA
ACCESSORY CODE NICKEL-PLATED	-	19001104XA	19001106XA	19001108XA	19001110XA
SIZE A	3/8"	1/2"	3/4"	1"	1".1/4
SIZE B	Exagone 20	Ø 24	Ø 32	Ø 39	Ø 50

2



1



6



5



► Idrosanitaria Bonomi
ALWAYS EVOLVING

5

VALVES AND LOCKSHIELDS FOR RADIATORS

SUMMARY



5609...

RADIATOR VALVE

RADIATOR VALVES

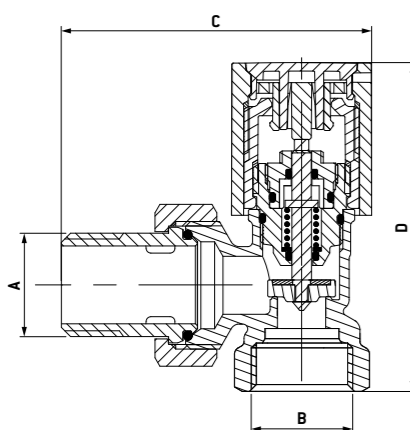
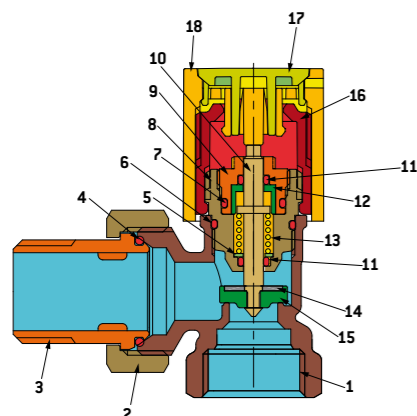


- Female angle thermostatic valve, with connection for iron pipes for use with a 5603 lockshield valve
- Maximum nominal pressure: 10 bar
- Temperature range: 0-95°C

This valve is particularly indicated for distributing, regulating and shutting off heat carriers. The field of application is in plant engineering in residential heating systems. When a thermostatic head is applied to the valve, it can be used to automatically set and maintain ambient temperature. Seat seal is provided by an EPDM Perox gasket, which is ideal for use with water and glycol solutions max 50%.

COMPONENTS:

POSN.	PART NAME	No. Pcs.	MATERIAL
1	Body	1	CW617N UNI-EN 12165 Nickel-plated
2	Nut	1	CW617N UNI-EN 12165 Nickel-plated
3	Connector	1	CW617N UNI-EN 12165 Nickel-plated
4	Connector O-ring	1	EPDM Perox
5	Washer	1	CW508L UNI-EN 1652
6	O-ring	1	EPDM Perox
7	O-ring	1	EPDM Perox
8	Upper part body	1	CW617N UNI-EN 12164
9	Ring	1	CW617N UNI-EN 12164
10	Rod	1	Stainless steel
11	O-ring	1	EPDM Perox
12	O-ring lock insert	1	CW617N UNI-EN 12164
13	Spring	1	AISI 302 stainless steel
14	Lock gasket washer	1	CW508L UNI-EN 1552
15	Gasket	1	EPDM Perox
16	Inside handle insert	1	Hostaform
17	Cap	1	ABS
18	Handle	1	ABS



DIMENSIONS:

A	B	C	D	PN
3/8"	1/2"	66	68	10
1/2"	1/2"	66	68	10

PACKAGING:

	3/8"-1/2"	1/2"-1/2"
CODE	56090403	56090404
PIECES PER BOX	15	15
PIECES PER CARTON	150	150

5611...

RADIATOR VALVE

RADIATOR VALVES

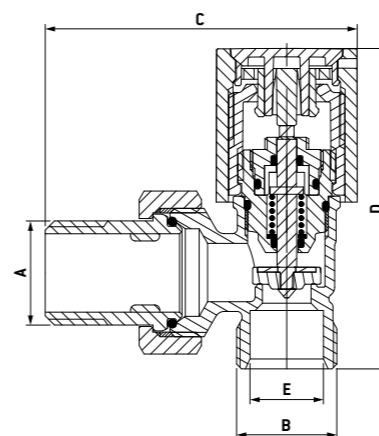
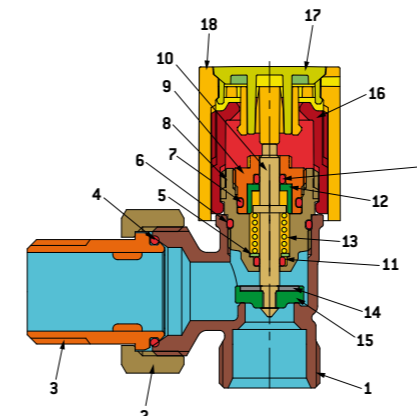


- Male angle thermostatic radiator valve, with interchangeable connection for copper, plastic and multi-layer pipes
- For use with lockshield valve code 5607
- Maximum nominal pressure: 10 bar
- Temperature range: 0-95°C

This valve is particularly indicated for distributing, regulating and shutting off heat carriers. The field of application is in plant engineering in residential heating systems. When a thermostatic head is applied to the valve, it can be used to automatically set and maintain ambient temperature. Seat seal is provided by an EPDM Perox gasket, which is ideal for use with water and glycol solutions max 50%.

COMPONENTS:

POSN.	PART NAME	No. Pcs.	MATERIAL
1	Body	1	CW617N UNI-EN 12165 Nickel-plated
2	Nut	1	CW617N UNI-EN 12165 Nickel-plated
3	Connector	1	CW617N UNI-EN 12165 Nickel-plated
4	Connector O-ring	1	EPDM Perox
5	Washer	1	CW508L UNI-EN 1652
6	O-ring	1	EPDM Perox
7	O-ring	1	EPDM Perox
8	Upper part body	1	CW617N UNI-EN 12164
9	Ring	1	CW617N UNI-EN 12164
10	Rod	1	Stainless steel
11	O-ring	1	EPDM Perox
12	O-ring lock insert	1	CW617N UNI-EN 12164
13	Spring	1	AISI 302 stainless steel
14	Lock gasket washer	1	CW508L UNI-EN 1552
15	Gasket	1	EPDM Perox
16	Inside handle insert	1	Hostaform
17	Cap	1	ABS
18	Handle	1	ABS



DIMENSIONS:

A	B	C	D	E	PN
3/8"	1/2"	63	66	16,1	10
1/2"	1/2"	63	66	16,1	10
3/8"	24x19	63	66	18,1	10
1/2"	24x19	63	66	18,1	10

PACKAGING:

	3/8"-1/2"	1/2"-1/2"	3/8"-24x19	1/2"-24x19
CODE	56110403	56110404	56110503	56110504
PIECES PER BOX	15	15	15	15
PIECES PER CARTON	150	150	150	150

5609E...

RADIATOR VALVE

RADIATOR VALVES



- Female angle thermostatic radiator valve connector with PTFE seal and connection for iron pipe
- For use with lockshield valve code 5603E
- Maximum nominal pressure: 10 bar
- Temperature range: 0-95° C

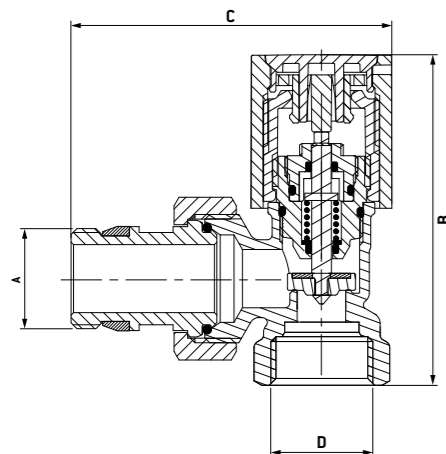
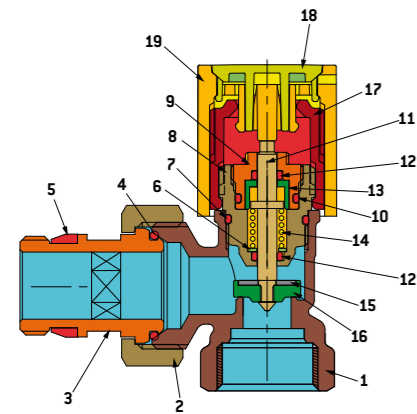
The valve is particularly indicated for distributing, regulating and shutting off heat carriers.

The field of application is in plant engineering in residential heating systems. The valve thanks to the applicable thermostatic head, allows the regulation and automatic maintenance of ambient temperature.

Seat seal is provided by an EPDM Perox O-Ring, which is ideal for use with water and glycol solutions max 50%.

COMPONENTS:

POSN.	PART NAME	No. Pcs.	MATERIAL
1	Body	1	CW617N UNI-EN 12165 Nickel-plated
2	Nut	1	CW617N UNI-EN 12165 Nickel-plated
3	Connector	1	CW617N UNI-EN 12164 Nickel-plated
4	O-ring	1	EPDM Perox
5	Ring for threads' holder	1	PTFE
6	Washer	1	OT63 [CuZn37 UNI-EN 1652]
7	O-Ring	1	EPDM Perox
8	Upper part body	1	CW617N UNI-EN 12164
9	Ring	1	CW617N UNI-EN 12164
10	Ring gasket	1	EPDM Perox
11	Rod	1	Stainless steel
12	O-Ring	2	EPDM Perox
13	O-Ring lock insert	1	CW617N UNI-EN 12164
14	Spring	1	AISI 302 stainless steel
15	Lock gasket washer	1	CW508L UNI-EN 1552
16	Gasket	1	EPDM Perox
17	Inside handle insert	1	Hostaform®
18	Cap	1	ABS
19	Handle	1	ABS



DIMENSIONS:

A	B	C	D	PN
3/8"	1/2"	66	68	10
1/2"	1/2"	66	68	10

PACKAGING:

	3/8"-1/2"	1/2"-1/2"
CODE	56090403E	56090404E
PIECES PER BOX	15	15
PIECES PER CARTON	150	150

5611E...

RADIATOR VALVE

RADIATOR VALVES



- Male angle thermostatic radiator valve with PTFE connector with interchangeable connection for copper, plastic and multi-layer pipes
- For use with lockshield valve code 5607E
- Maximum nominal pressure: 10 bar
- Temperature range: 0-95° C

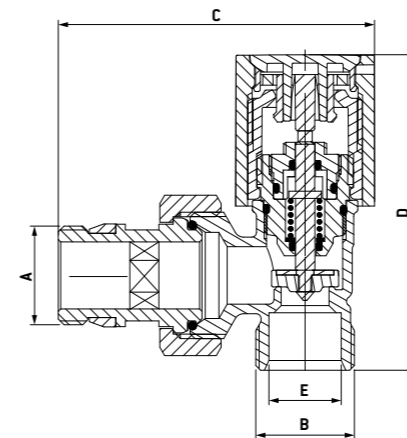
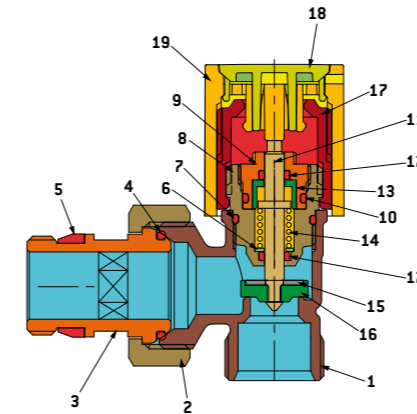
The valve is particularly indicated for distributing, regulating and shutting off heat carriers.

The field of application is in plant engineering in residential heating systems. The valve thanks to the applicable thermostatic head, allows the regulation and automatic maintenance of ambient temperature.

Seat seal is provided by an EPDM Perox O-Ring, which is ideal for use with water and glycol solutions max 50%.

COMPONENTS:

POSN.	PART NAME	No. Pcs.	MATERIAL
1	Body	1	CW617N UNI-EN 12165 Nickel-plated
2	Nut	1	CW617N UNI-EN 12165 Nickel-plated
3	Connector	1	CW617N UNI-EN 12164 Nickel-plated
4	O-ring	1	EPDM Perox
5	Ring for threads' holder	1	PTFE
6	Washer	1	OT63 [CuZn37 UNI-EN 1652]
7	O-Ring	1	EPDM Perox
8	Upper part body	1	CW617N UNI-EN 12164
9	Ring	1	CW617N UNI-EN 12164
10	Ring gasket	1	EPDM Perox
11	Rod	1	Stainless steel
12	O-Ring	2	EPDM Perox
13	O-Ring lock insert	1	CW617N UNI-EN 12164
14	Spring	1	AISI 302 stainless steel
15	Lock gasket washer	1	CW508L UNI-EN 1552
16	Gasket	1	EPDM Perox
17	Inside handle insert	1	Hostaform®
18	Cap	1	ABS
19	Handle	1	ABS



DIMENSIONS:

A	B	C	D	E	PN
3/8"	1/2"	62	66	16,1	10
1/2"	1/2"	63	66	16,1	10
3/8"	24x19	62	66	18,1	10
1/2"	24x19	63	66	18,1	10

PACKAGING:

	3/8"-1/2"	1/2"-1/2"	3/8"-24x19	1/2"-24x19
CODE	56110403E	56110404E	56110503E	56110504E
PIECES PER BOX	15	15	15	15
PIECES PER CARTON	150	150	150	150

56130001...

THERMOSTATIC HEAD WITH RING

Radiator valves

• Thermostatic head with ring without box



PACKAGING:

	1/2"
CODE	56130001
PIECES PER CARTON	60

56130002...

THERMOSTATIC HEAD WITH RING

Radiator valves

• Thermostatic head with ring and box



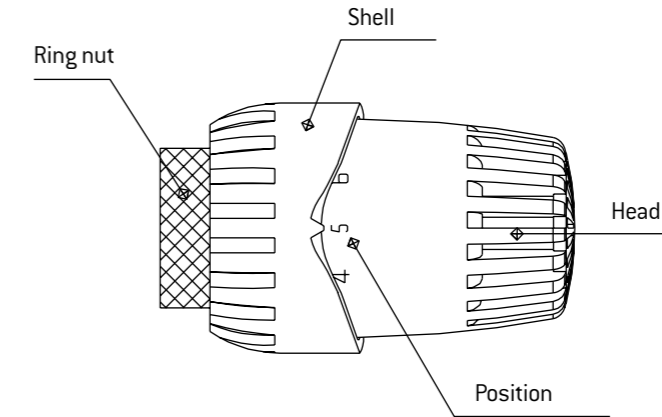
PACKAGING:

	1/2"
CODE	56130002
PIECES PER CARTON	80

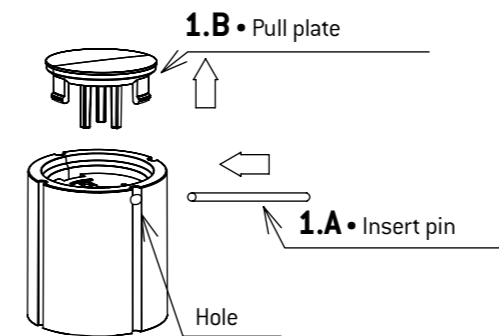


INSTRUCTION DISASSEMBLY HANDLE GRIP AND ASSEMBLY RING AND THERMOSTATIC HEAD

(VALVE MUST BE CLOSED)



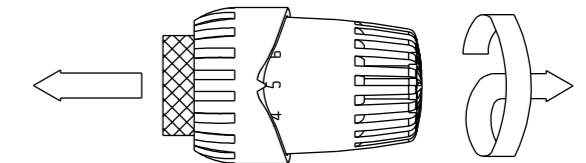
1



1.C - Unscrew knob

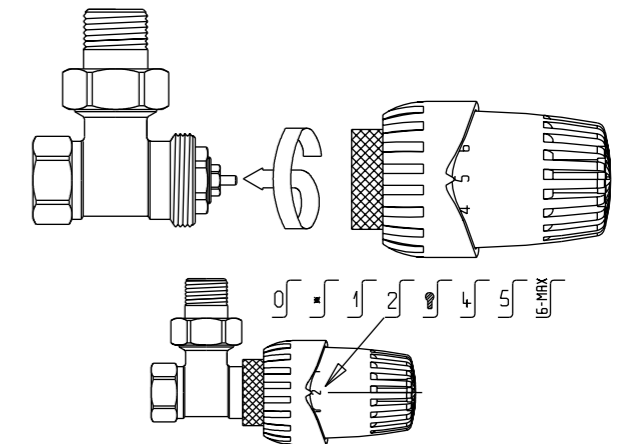
4

• Fully open the thermostatic head

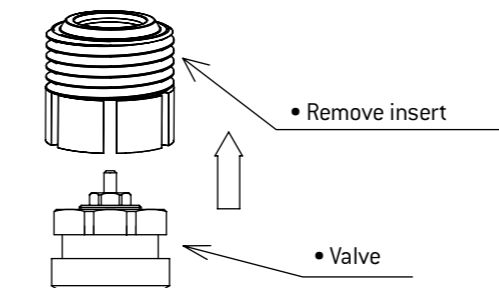


5

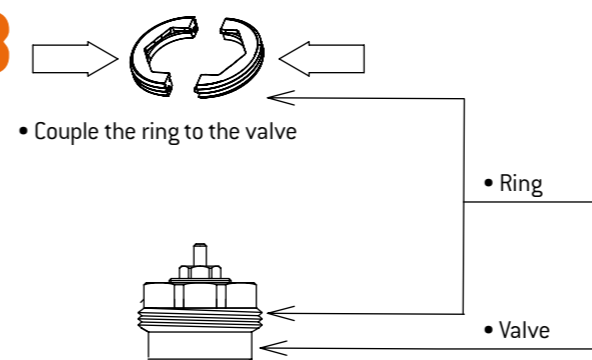
• Close the head and regulate on desired position



2



3



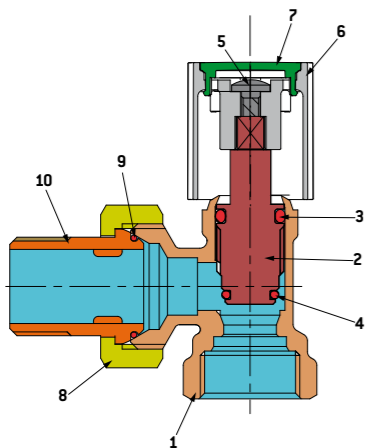
Temperature's Limitations

1. Set the thermostatic control to position 6 MAX;
2. Move the external shell from the thermostatic control side till to cover the position's writing;
3. Turn clockwise till to have the position 0;
4. Move the thermostatic control to the desired maximum temperature's position;
5. Press the external shell lengthwise the axis of the thermostatic head into direction of the metallic ring;
6. At this point you can turn the thermostatic head only to the lower position;
7. To eliminate the limitation press the shell into direction of the thermostatic control. Repeat points 1 and E. The thermostatic head, to work correctly, has to be used only with the valves produced by Idrosanitaria Bonomi S.p.A., for those it has been calibrated.

5601...

RADIATOR VALVE

RADIATOR VALVES



- Female angle radiator valve with connection for iron pipes
- For use with lockshield valve code 5603
- Maximum nominal pressure: 10 bar
- Temperature range: 0-95°C

This valve is particularly indicated for distributing, regulating and shutting off heat carriers.

The field of application is in plant engineering in residential heating systems. The valve is used to regulate ambient temperature by manually modifying the rate of flow.

Seat seal is provided by an EPDM Perox O-ring, which is ideal for use with water and glycol solutions max 50%.

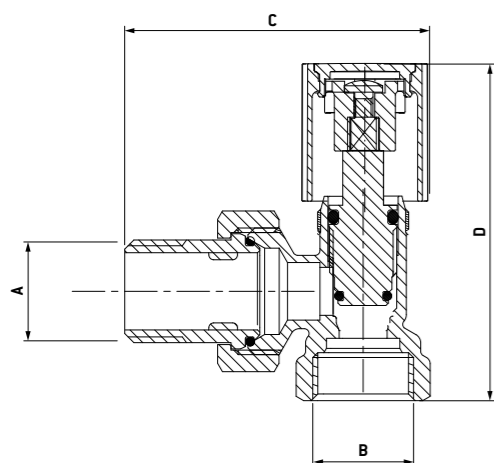
Pre-sealed PTFE connectors are available for certain models.

COMPONENTS:

POSN.	PART NAME	No. Pcs.	MATERIAL
1	Body	1	CW617N UNI-EN 12165 Nickel-plated
2	Upper part	1	CW617N UNI-EN 12164
3	O-ring	1	EPDM Perox
4	O-ring	1	EPDM Perox
5	Screw	1	Galvanised iron
6	Handle	1	ABS plastic
7	Cap handle	1	ABS plastic
8	Nut	1	CW617N UNI-EN 12165 Nickel-plated
9	Connector O-ring	1	NBR
10	Connector	1	CW617N UNI-EN 12165 Nickel-plated

DIMENSIONS:

A	B	C	D	PN
3/8"	3/8"	63	70	10
3/8"	1/2"	63	70	10
1/2"	3/8"	63	70	10
1/2"	1/2"	63	70	10



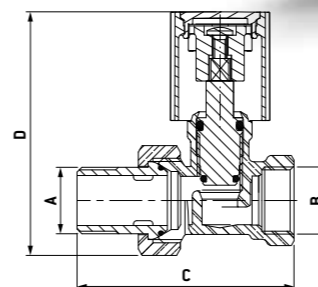
PACKAGING:

	connector 3/8"-3/8" female	connector 1/2"-3/8" female	connector 3/8"-1/2" female	connector 1/2"-1/2" female
CODE	56010303	56010304	56010403	56010404
PIECES PER BOX	15	15	15	15
PIECES PER CARTON	150	150	150	150

5602...

RADIATOR VALVE

RADIATOR VALVES



- Female straight radiator valve with connection for iron pipes
- For use with lockshield valve code 5604
- Maximum nominal pressure: 10 bar
- Temperature range: 0-95°C

DIMENSIONS:

A	B	C	D	PN
3/8"	1/2"	67	76	10
1/2"	1/2"	67	76	10

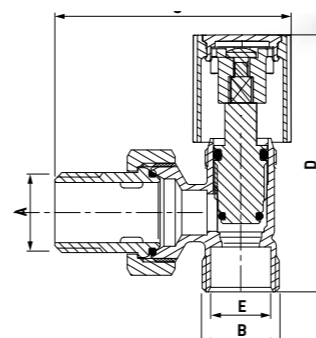
PACKAGING:

	3/8"-1/2"	1/2"-1/2"
CODE	56020403	56020404
PIECES PER BOX	15	15
PIECES PER CARTON	150	150

5605...

RADIATOR VALVE

RADIATOR VALVES



- Male angle radiator valve, with interchangeable connection for copper, plastic and multi-layer pipes
- For use with lockshield valve code 5607
- Maximum nominal pressure: 10 bar
- Temperature range: 0-95°C

DIMENSIONS:

A	B	C	D	E	PN
3/8"	1/2"	63	69	16,1	10
3/8"	24x19	63	71	18,1	10
1/2"	1/2"	63	69	16,1	10
1/2"	24x19	63	71	18,1	10

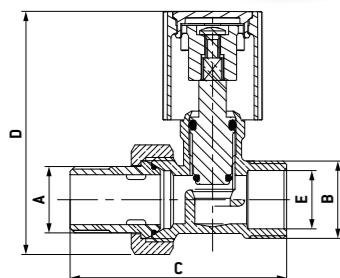
PACKAGING:

	3/8"-1/2"	3/8"-24x19	1/2"-1/2"	1/2"-24x19
CODE	56050403	56050503	56050404	56050504
PIECES PER BOX	15	15	15	15
PIECES PER CARTON	150	150	150	150

5606...

RADIATOR VALVE

RADIATOR VALVES



- Male straight radiator valve, with interchangeable connection for copper, plastic and multi-layer pipes
- For use with lockshield valve code 5608
- Maximum nominal pressure: 10 bar
- Temperature range: 0-95°C

DIMENSIONS:

A	B	C	D	E	PN
3/8"	24x19	67	74	18,1	10
1/2"	24x19	67	74	18,1	10

PACKAGING:

	3/8"-24x19	1/2"-24x19
CODE	56060503	56060504
PIECES PER BOX	15	15
PIECES PER CARTON	150	150

5603...

LOCKSHIELD VALVE

RADIATOR VALVES



- Female angle lockshield valve with connection for iron pipes
- Maximum nominal pressure: 10 bar
- Temperature range: 0-95°C

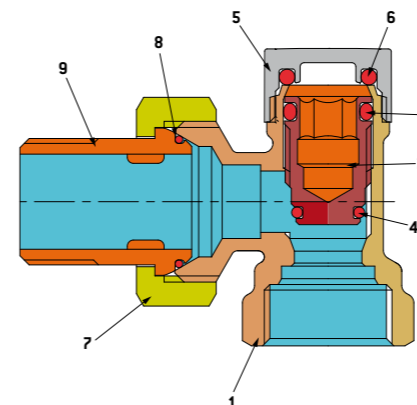
This valve is particularly indicated for distributing, regulating and shutting off heat carriers.

The field of application is in plant engineering in residential heating systems. The valve allows thermal balancing of heating elements by micro-metrically modifying the fluid outflow rate.

Seat seal is provided by an EPDM Perox O-ring, which is ideal for use with water and glycol solutions max 50%.

COMPONENTS:

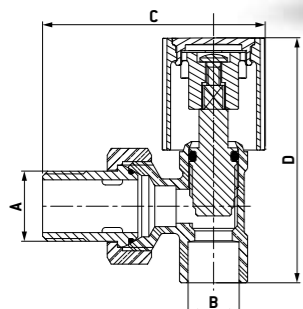
POSN.	PART NAME	No. Pcs.	MATERIAL
1	Body	1	CW617N UNI-EN 12165 Nickel-plated
2	Upper part	1	CW617N UNI-EN 12164
3	O-ring 107	1	EPDM Perox
4	O-ring 112	1	EPDM Perox
5	Cap	1	ABS plastic
6	Cap seal	1	NBR
7	Nut	1	CW617N UNI-EN 12165 Nickel-plated
8	O-ring	1	EPDM Perox
9	Connector	1	CW617N UNI-EN 12165 Nickel-plated



5615...

RADIATOR VALVE

RADIATOR VALVES



- Angle radiator valve with soldering end connection
- For use with lockshield valve code 5617
- Maximum nominal pressure: 10 bar
- Temperature range: 0-95°C

DIMENSIONS:

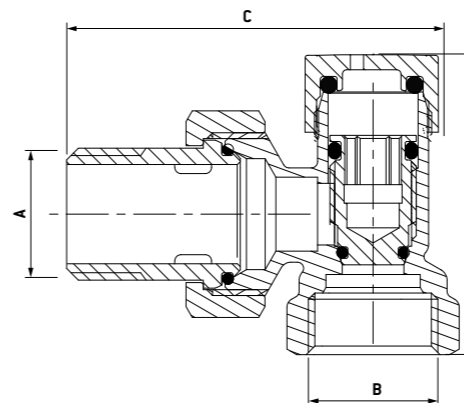
A	B	C	D	PN
1/2"	15	66	74	10

PACKAGING:

	1/2"-15
CODE	56151504
PIECES PER BOX	15
PIECES PER CARTON	150

DIMENSIONS:

A	B	C	D	PN
3/8"	3/8"	63	49	10
3/8"	1/2"	63	49	10
1/2"	3/8"	63	49	10
1/2"	1/2"	63	49	10



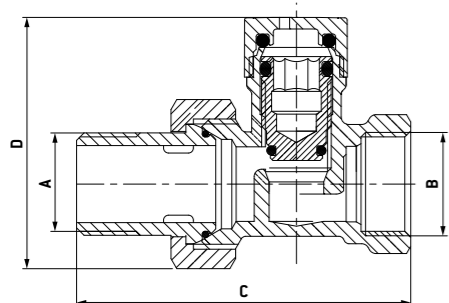
PACKAGING:

	connector 3/8"-3/8" female	connector 1/2"-3/8" female	connector 3/8"-1/2" female	connector 1/2"-1/2" female
CODE	56030303	56030304	56030403	56030404
PIECES PER BOX	15	15	15	15
PIECES PER CARTON	150	150	150	150

5604...

LOCKSHIELD VALVE

RADIATOR VALVES



- Female straight lockshield valve with connection for iron pipes
- Maximum nominal pressure: 10 bar
- Temperature range: 0-95°C

DIMENSIONS:

A	B	C	D	PN
3/8"	1/2"	67	51	10
1/2"	1/2"	67	53	10

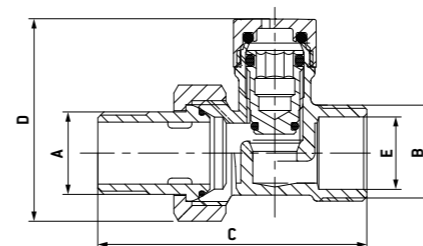
PACKAGING:

	3/8"-1/2"	1/2"-1/2"
CODE	56040403	56040404
PIECES PER BOX	15	15
PIECES PER CARTON	150	150

5608...

LOCKSHIELD VALVE

RADIATOR VALVES



- Straight lockshield valve, with interchangeable connection for copper, plastic and multi-layer pipes
- Maximum nominal pressure: 10 bar
- Temperature range: 0-95°C

DIMENSIONS:

A	B	C	D	E	PN
3/8"	24x19	67	51	18,1	10
1/2"	24x19	67	53	18,1	10

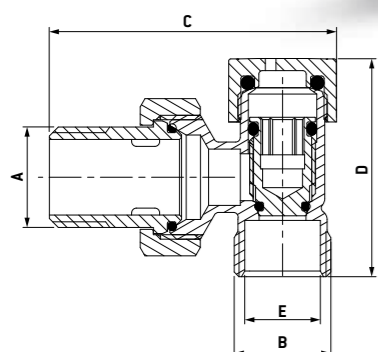
PACKAGING:

	3/8"-24x19	1/2"-24x19
CODE	56080503	56080504
PIECES PER BOX	15	15
PIECES PER CARTON	150	150

5607...

LOCKSHIELD VALVE

RADIATOR VALVES



- Male angle lockshield valve, with interchangeable connection for copper, plastic and multi-layer pipes
- Maximum nominal pressure: 10 bar
- Temperature range: 0-95°C

DIMENSIONS:

A	B	C	D	E	PN
3/8"	1/2"	63	48	16,1	10
1/2"	1/2"	63	48	16,1	10
3/8"	24x19	63	48	18,1	10
1/2"	24x19	63	48	18,1	10

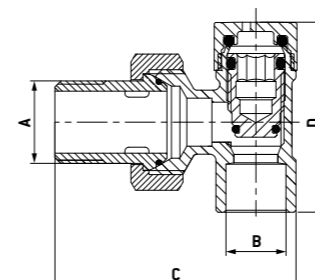
PACKAGING:

	3/8"-1/2"	1/2"-1/2"	3/8"-24x19	1/2"-24x19
CODE	56070403	56070404	56070503	56070504
PIECES PER BOX	15	15	15	15
PIECES PER CARTON	150	150	150	150

5617...

LOCKSHIELD VALVE

RADIATOR VALVES



- Angle lockshield valve with soldering end connection
- Maximum nominal pressure: 10 bar
- Temperature range: 0-95°C

DIMENSIONS:

A	B	C	D	PN
1/2"	15	61	48	10

PACKAGING:

	1/2"-15
CODE	56171504
PIECES PER BOX	15
PIECES PER CARTON	150

5601E...

RADIATOR VALVE

RADIATOR VALVES



- Female angle radiator valve, connector with PTFE seal and connection for iron pipe
- For use with lockshield valve code 5603E
- Maximum nominal pressure: 10 bar
- Temperature range: 0-95°C

This valve is particularly indicated for distributing, regulating and shutting off heat carriers.

The field of application is in plant engineering in residential heating systems. The valve is used to regulate ambient temperature by manually modifying the rate of flow.

Seat seal is provided by an EPDM Perox O-ring, which is ideal for use with water and glycol solutions max 50%.

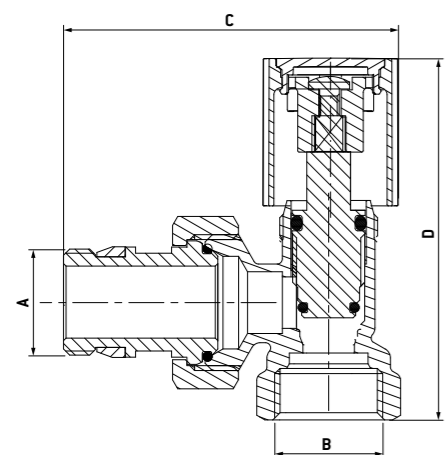
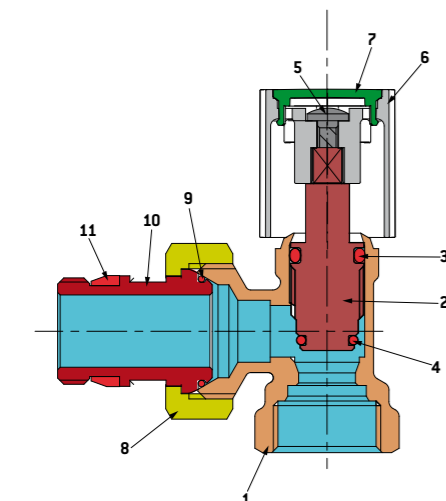
Pre-sealed PTFE connectors are available for certain models.

COMPONENTS:

POSN.	PART NAME	No. Pcs.	MATERIAL
1	Body	1	CW617N UNI-EN 12165 Nickel-plated
2	Upper part	1	CW617N UNI-EN 12164
3	O-ring	1	EPDM Perox
4	O-ring	1	EPDM Perox
5	Screw	1	Galvanised iron
6	Handle	1	ABS plastic
7	Cap handle	1	ABS plastic
8	Nut	1	CW617N UNI-EN 12165 Nickel-plated
9	Connector O-ring	1	EPDM Perox
10	Connector	1	CW617N UNI-EN 12164 Nickel-plated
11	Connector ring	1	PTFE

DIMENSIONS:

A	B	C	D	PN
3/8"	3/8"	65	70	10
3/8"	1/2"	65	70	10
1/2"	3/8"	65	70	10
1/2"	1/2"	65	70	10



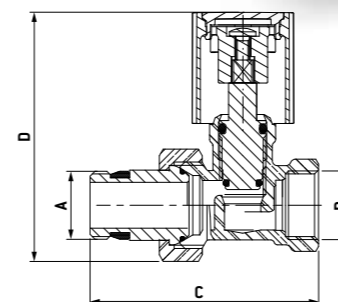
PACKAGING:

	connector 3/8"-3/8" female	connector 1/2"-3/8" female	connector 3/8"-1/2" female	connector 1/2"-1/2" female
CODE	56010303E	56010304E	56010403E	56010404E
PIECES PER BOX	15	15	15	15
PIECES PER CARTON	150	150	150	150

5602E...

RADIATOR VALVE

RADIATOR VALVES



- Straight Female radiator valve, connector with PTFE seal and connection for iron pipe
- For use with lockshield valve code 5604E
- Maximum nominal pressure: 10 bar
- Temperature range: 0-95°C

DIMENSIONS:

A	B	C	D	PN
3/8"	1/2"	67	71	10
1/2"	1/2"	67	71	10

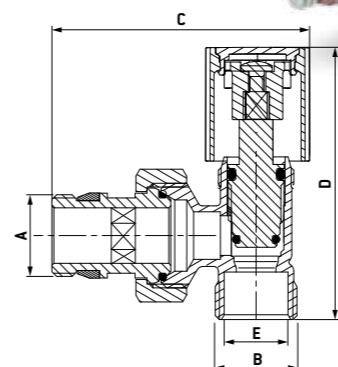
PACKAGING:

	3/8"-1/2"	1/2"-1/2"
CODE	56020403E	56020404E
PIECES PER BOX	15	15
PIECES PER CARTON	150	150

5605E...

RADIATOR VALVE

RADIATOR VALVES



- Male angle radiator valve, connector with PTFE seal and interchangeable connection for copper, plastic and multi-layer pipes
- For use with lockshield valve code 5607E
- Maximum nominal pressure: 10 bar
- Temperature range: 0-95°C

DIMENSIONS:

A	B	C	D	E	PN
3/8"	1/2"	64	69	16,1	10
3/8"	24x19	64	71	18,1	10
1/2"	1/2"	65	69	16,1	10
1/2"	24x19	65	71	18,1	10

PACKAGING:

	3/8"-1/2"	3/8"-24x19	1/2"-1/2"	1/2"-24x19
CODE	56050403E	56050503E	56050404E	56050504E
PIECES PER BOX	15	15	15	15
PIECES PER CARTON	150	150	150	150

5606E...

RADIATOR VALVE

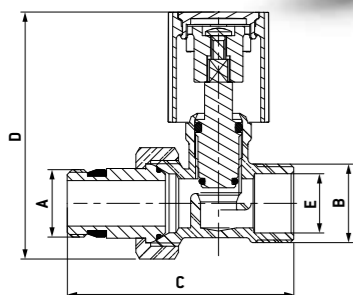
RADIATOR VALVES



- Male straight radiator valve, connector with PTFE seal and interchangeable connection for copper, plastic and multi-layer pipe
- For use with lockshield valve code 5608E
- Maximum nominal pressure: 10 bar
- Temperature range: 0-95°C

DIMENSIONS:

A	B	C	D	E	PN
3/8"	24x19	68	74	18,1	10
1/2"	24x19	69	76	18,1	10



PACKAGING:

	3/8"-24x19	1/2"-24x19
CODE	56060503E	56060504E
PIECES PER BOX	15	15
PIECES PER CARTON	150	150

5615E...

RADIATOR VALVE

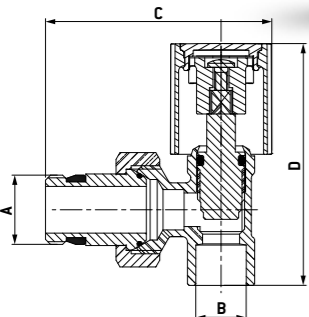
RADIATOR VALVES



- Angle radiator valve connector with PTFE seal and soldering end connection
- For use with lockshield valve code 5617E
- Maximum nominal pressure: 10 bar
- Temperature range: 0-95°C

DIMENSIONS:

A	B	C	D	PN
1/2"	15	68	74	10



PACKAGING:

	1/2"-15
CODE	56151504E
PIECES PER BOX	15
PIECES PER CARTON	150

5603E...

LOCKSHIELD VALVE

RADIATOR VALVES



- Female angle lockshield valve, connector and PTFE seal, with connection for iron pipes
- Maximum nominal pressure: 10 bar
- Temperature range: 0-95°C

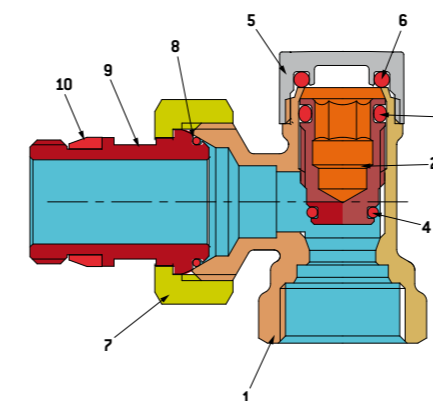
This valve is particularly indicated for distributing, regulating and shutting off heat carriers.

The field of application is in plant engineering in residential heating systems. The valve allows thermal balancing of heating elements by micro-metrically modifying the fluid outflow rate.

Seat seal is provided by an EPDM Perox O-ring, which is ideal for use with water and glycol solutions max 50%.

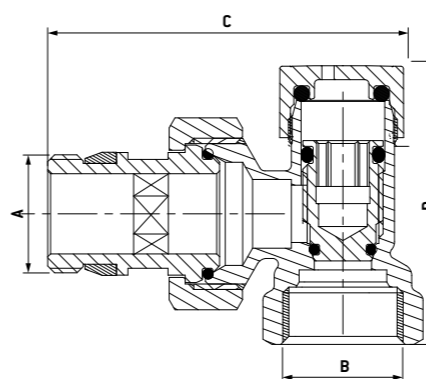
COMPONENTS:

POSN.	PART NAME	No. Pcs.	MATERIAL
1	Body	1	CW617N UNI-EN 12165 Nickel-plated
2	Upper part	1	CW617N UNI-EN 12164
3	O-ring	1	EPDM Perox
4	O-ring	1	EPDM Perox
5	Cap	1	ABS plastic
6	Cap seal	1	NBR
7	Nut	1	CW617N UNI-EN 12165 Nickel-plated
8	O-ring connector	1	EPDM Perox
9	Connector	1	CW617N UNI-EN 12164 Nickel-plated
10	Connector ring	1	PTFE



DIMENSIONS:

A	B	C	D	PN
3/8"	3/8"	62	49	10
3/8"	1/2"	62	49	10
1/2"	3/8"	63	49	10
1/2"	1/2"	63	49	10



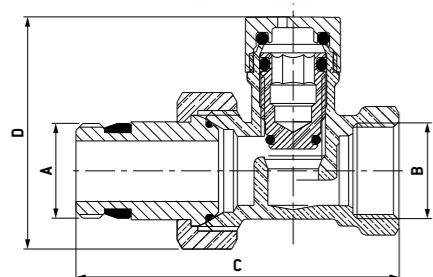
PACKAGING:

	connector 3/8"-3/8" female	connector 1/2"-3/8" female	connector 3/8"-1/2" female	connector 1/2"-1/2" female
CODE	56030303E	56030304E	56030403E	56030404E
PIECES PER BOX	15	15	15	15
PIECES PER CARTON	150	150	150	150

5604E...

LOCKSHIELD VALVE

RADIATOR VALVES



- Female straight lockshield valve and connector with PTFE seal, with connection for iron pipe
- Maximum nominal pressure: 10 bar
- Temperature range: 0-95°C

DIMENSIONS:

A	B	C	D	PN
3/8"	1/2"	68	51	10
1/2"	1/2"	69	53	10

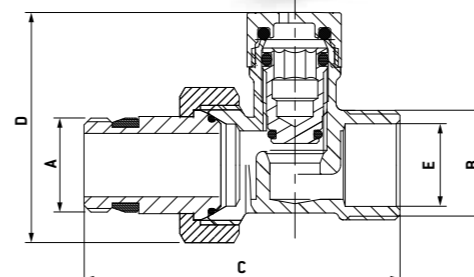
PACKAGING:

	3/8"-1/2"	1/2"-1/2"
CODE	56040403E	56040404E
PIECES PER BOX	15	15
PIECES PER CARTON	150	150

5608E...

LOCKSHIELD VALVE

RADIATOR VALVES



- Male straight lockshield valve, and connector with PTFE seal, with interchangeable connection for copper, plastic and multi-layer pipes
- Maximum nominal pressure: 10 bar
- Temperature range: 0-95°C

DIMENSIONS:

A	B	C	D	E	PN
3/8"	24x19	68	51	18,1	10
1/2"	24x19	69	53	18,1	10

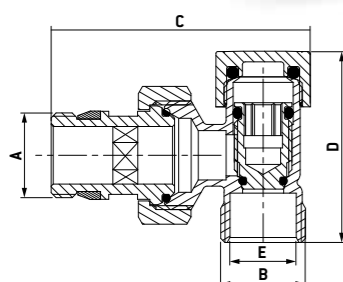
PACKAGING:

	3/8"-24x19	1/2"-24x19
CODE	56080503E	56080504E
PIECES PER BOX	15	15
PIECES PER CARTON	150	150

5607E...

LOCKSHIELD VALVE

RADIATOR VALVES



- Male angle lockshield valve, and connector with PTFE seal, with interchangeable connection for copper, plastic and multi-layer pipes
- Maximum nominal pressure: 10 bar
- Temperature range: 0-95°C

DIMENSIONS:

A	B	C	D	E	PN
3/8"	1/2"	62	48	16,1	10
1/2"	1/2"	63	48	16,1	10
3/8"	24x19	62	48	18,1	10
1/2"	24x19	63	48	18,1	10

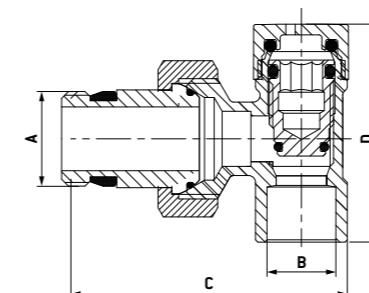
PACKAGING:

	3/8"-1/2"	1/2"-1/2"	3/8"-24x19	1/2"-24x19
CODE	56070403E	56070404E	56070503E	56070504E
PIECES PER BOX	15	15	15	15
PIECES PER CARTON	150	150	150	150

5617E...

LOCKSHIELD VALVE

RADIATOR VALVES



- Angle lockshield valve and connector with PTFE seal, soldering end connection
- Maximum nominal pressure: 10 bar
- Temperature range: 0-95°C

DIMENSIONS:

A	B	C	D	PN
1/2"	15	63	50	10

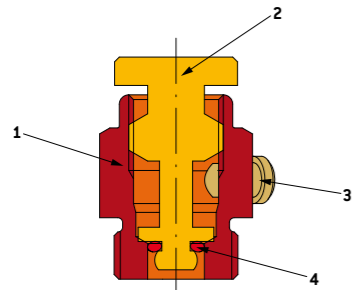
PACKAGING:

	1/2"-15
CODE	56171504E
PIECES PER BOX	15
PIECES PER CARTON	150

3992...

DRAIN COCK

RADIATOR VALVES



- Nickel-plated drain cock
- Maximum nominal pressure: 10 bar
- Temperature range: 0-95°C

COMPONENTS:

POSN.	PART NAME	No. Pcs.	MATERIAL
1	Body	1	CW617N UNI-EN 12164 Nickel-plated
2	Stem	1	CW617N UNI-EN 12164 Nickel-plated
3	Vent nozzle	1	CW617N UNI-EN 12164 Nickel-plated
4	O-ring	1	NBR

DIMENSIONS:

A	B
1/8"	27
1/4"	28
3/8"	27

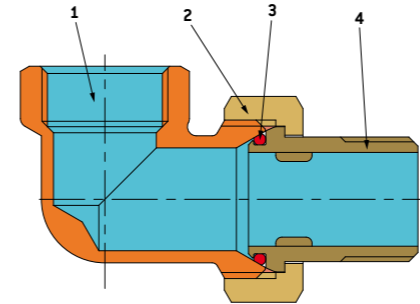
PACKAGING:

	1/8"	1/4"	3/8"
CODE	39920001	39920002	39920003
PIECES PER BOX	-	-	-
PIECES PER CARTON	1000	1000	500

3660..

THREE PIECE ANGLE UNION

RADIATOR VALVES



- Three piece angle union
- Finish: sandblasted
- Thread: ISO 228
- Temperature range: 0-95°C

COMPONENTS:

POSN.	PART NAME	No. Pcs.	MATERIAL
1	Fitting	1	CW617N UNI-EN 12165
2	Nut	1	CW617N UNI-EN 12165
3	O-ring	1	NBR
4	Connector	1	CW617N UNI-EN 12165

DIMENSIONS:

A	B
1/2"	52
3/4"	65
1"	65

PACKAGING:

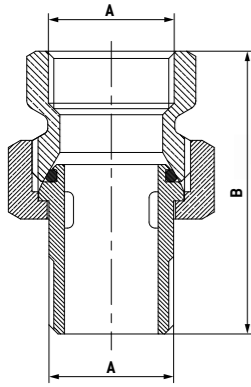
	1/2"	3/4"	1"
CODE	36600004	36600006	36600008
PIECES PER BOX	-	-	-
PIECES PER CARTON	150	100	60

3661...

THREE PIECE STRAIGHT UNION

RADIATOR VALVES

- Three piece straight union
- Finish: sandblasted
- Thread: ISO 228
- Temperature range: 0-95°C



DIMENSIONS:

A	B
1/2"	52
3/4"	65
1"	65

PACKAGING:

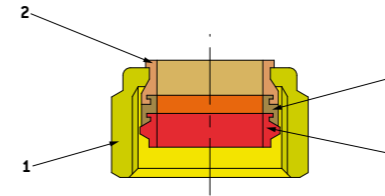
	1/2"	3/4"	1"
CODE	36610004	36610006	36610008
PIECES PER BOX	-	-	-
PIECES PER CARTON	250	150	80

3671..

RUBBER BICONE

Radiator valves

- Rubber bicone with nut for copper pipe

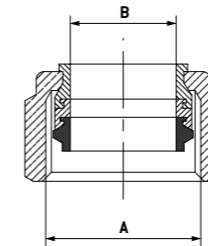


COMPONENTS:

POSN.	PART NAME	No. Pcs.	MATERIAL
1	Nut	1	Brass CW617N Nickel-plated
2	Snap ring	1	CW617N UNI-EN 12164
3	Stiff ring	1	CW617N UNI-EN 12164
4	Seal	1	NBR

DIMENSIONS:

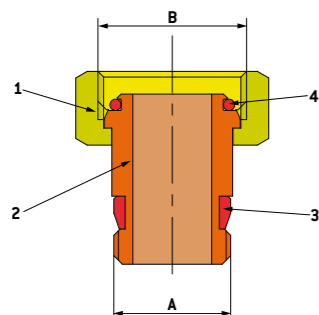
A	B
1/2"	10
1/2"	12
1/2"	14
1/2"	15
1/2"	16
24x19	10
24x19	12
24x19	14
24x19	15
24x19	16
24x19	18



PACKAGING:

	1/2"x10	1/2"x12	1/2"x14	1/2"x15	1/2"x16	24x19-10	24x19-12	24x19-14	24x19-15	24x19-16	24x19-18
ACCESSORY CODE	36711004	36711204	36711404	36711504	36711604	36711005	36711205	36711405	36711505	36711605	36711805
PIECES PER BOX	O N D E M A N D										
PIECES PER CARTON	1000	1000	1000	1000	1000	750	750	750	750	750	750

NUT AND CONNECTOR



- Nut, connector with O-ring and PTFE seal

COMPONENTS:

POSN.	PART NAME	No. Pcs.	MATERIAL
1	Nut	1	CW617N UNI EN 12165 Nickel-plated
2	Connector	1	CW617N UNI EN 12164 Nickel-plated
3	Thread retaining ring	1	PTFE
4	Connector O-ring	1	NBR

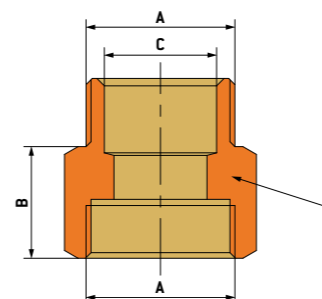
DIMENSIONS:

A	B
3/8"	5/8"
3/8"	3/4"
1/2"	3/4"

DIMENSIONS:

SIZE	3/8"x5/8"	3/8"x3/4"	1/2" x3/4"
ACCESSORY CODE	36012403XE	56092403XE	56092404XE

EXTENSION FOR RADIATOR VALVE



- Male/Female extension for threaded connection, 24x19

COMPONENTS:

POSN.	PART NAME	No. Pcs.	MATERIAL
1	24x19 extension	1	CW617N UNI EN 12165 Nickel-plated

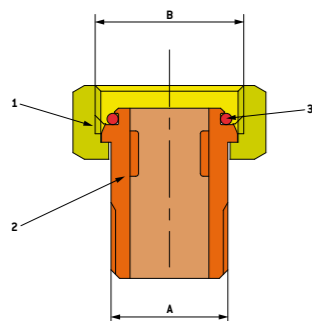
DIMENSIONS:

	A	B	C
24x19		15	18,1
24x19		20	18,1
24x19		25	18,1
24x19		30	18,1

DIMENSIONS:

SIZE	24x19-15	24x19-20	24x19-25	24x19-30
ACCESSORY CODE	36051500X740	36052000X740	36052500X740	36053000X740

NUT AND CONNECTOR



- Nut and connector with O-ring

COMPONENTS:

POSN.	PART NAME	No. Pcs.	MATERIAL
1	Nut	1	CW617N UNI-EN 12165 Nickel-plated
2	Connector	1	CW617N UNI-EN 12164 Nickel-plated
3	Connector O-ring	1	NBR

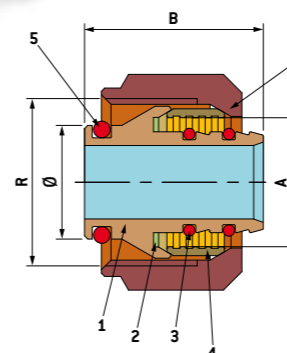
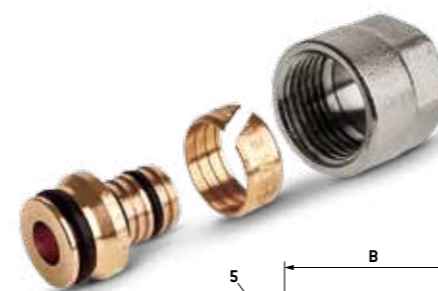
DIMENSIONS:

A	B
3/8"	5/8"
3/8"	3/4"
1/2"	3/4"

DIMENSIONS:

SIZE	3/8"x5/8"	3/8"x3/4"	1/2" x3/4"
ACCESSORY CODE	36012003XB	56092003XB	36012004XB

PIPE ADAPTOR



- PEX-AL-PEX pipe adaptor for radiator valve
- Maximum nominal pressure: 10 bar
- Temperature range: 0-95°C

COMPONENTS:

POSN.	PART NAME	No. Pcs.	MATERIAL
1	Hose-end pipe	1	CW617N UNI-EN 12164
2	Washer	1	PTFE
3	O-ring	2	EPDM Perox
4	Olive	1	CW617N UNI-EN 12164
5	O-ring	1	EPDM Perox
6	Nut	1	CW617N UNI-EN 12164 Nickel-plated

DIMENSIONS:

	A	R	Ø	B
14		1/2"	16	25
14		24x19	18	23
16		1/2"	16	24
16		24x19	18	24
18		24x19	18	26
20		24x19	18	25,5

For complete table see pag. 252

PACKAGING:

	14-1/2"	14-24x19	16-1/2"	16-24x19	18-24x19	20-24x19
ACCESSORY CODE	39801404	39801405	39801604	39801605	39801805	39802005
PIECES PER BOX	10	10	10	10	10	50
PIECES PER CARTON	250	250	250	250	250	400



► Idrosanitaria Bonomi
ALWAYS EVOLVING

6 FITTINGS

SUMMARY



3800...

PEX-AL-PEX PIPE

PEX-AL-PEX PIPES

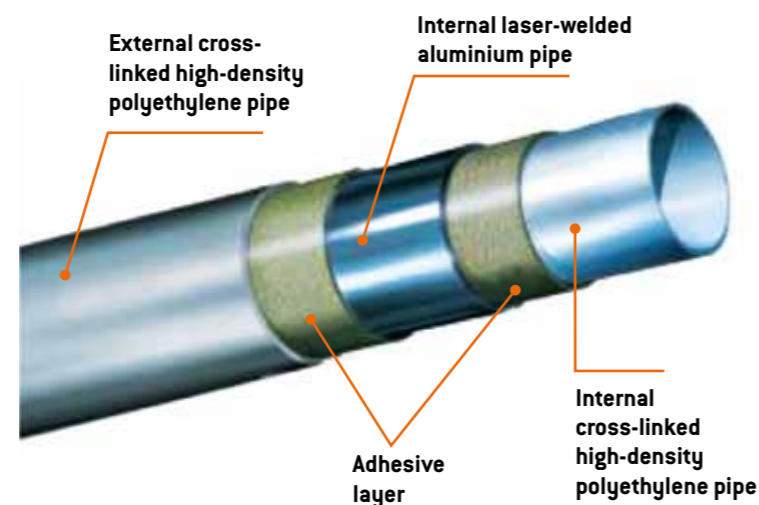


- This multi-layer pipe is a valid alternative to the plastic and metal pipes currently in use.
- The main advantages are:
- Easy installation as it is lightweight and has no elastic memory as a result of the internal aluminium layer.
 - A very high standard of hygiene, so it can be used to convey drinking water in accordance with Ministry of Health regulations.
 - Corrosion resistance due to cross-linked polyethylene layers and the use of fittings with dielectric barriers that protect the product against chemical, electromagnetic and natural corrosion, thus preventing the so-called "pile effect".
 - Reduced load losses. The internal polyethylene lining guarantees considerable reduction in the load losses that normally occur with metal piping. The absence of limescale and incrustation ensures a constant flow through time.
 - Impermeability to oxygen. The aluminium layer creates a barrier to gases that could trigger corrosion in the circuits and the formation of moulds and bacteria.
 - Reduced thermal expansion. The multi-layer pipe reduces thermal expansion of the plastic materials due to the internal aluminium layer and maintains their properties, such as reduced load losses, a high standard of hygiene and ease of installation, as it is easy to bend and maintains the desired curvature even at low temperatures.
 - Pre-insulated multi-layer pipes are available with specific sheathing for special applications (heating, plumbing, air conditioning).

3801...

PEX-AL-PEX PIPE WITH GIRDLE

PEX-AL-PEX PIPES



IDROPRESS - PRESSING SYSTEM FOR CONNECTORS FROM Ø 16 mm to Ø 32 mm



The pressing system for connectors from Ø 16 to Ø 32 is done through the utilization of a tong TH model, that misshapes the bush in stainless steel AISI 304 solubilized determining the locking of the pipe to the connector.

The system pipe/fitting in diameters 16 - 20 - 26 is approved by:



IDROPRESS - PRESSING SYSTEM FOR CONNECTORS FROM Ø 40 mm to Ø 63 mm



The pressing system for connectors from Ø 40 to Ø 63 is done through the utilization of a tong TH model, that misshapes the steel bush determining the locking of the pipe to the connector. The system is composed by a plastic ring and AISI 304 stainless steel solubilized bush.

▶ The measures marked with this symbol use this kind of pressing system

PACKAGING 3800:

	14x2	16x2	18x2	20x2	26x3	32x3	40x3,5*	50x4*	63x4,5*
CODE	38001400	38001600	38001800	38002000	38002600	38003200	38004000	38005000	38006300
METERS FOR BOX	100	100	100	100	50	25	-	-	-

*Article sold in bars from 5 mt.

PACKAGING 3801:

	14x2	16x2	18x2	20x2	26x3	32x3
CODE	38011400	38011600	38011800	38012000	38012600	38013200
METERS FOR BOX	50	50	50	50	25	25

MOUNTING INSTRUCTIONS IDROPRESS CONNECTORS FROM Ø 16 mm to Ø 32 mm



1 Cut perpendicularly the pipe with shears art.3812 **avoiding** to misshape it.



2 Gauge carefully the end of the pipe using the apposite calibrator-countersink art. 3813.



3 **Verify** the correct flare and **eliminate** the materials residues, those could **damage** the sealing O-Rings.



4 Insert the pipe into the connector till to touch the dielectrical washer, **make sure** that the tube is in the right position thanks to the bush's holes.

Avoid the use damaged fittings.



5 **Before pressing, check the functioning of the press tool art. 3810.**

Position the tongs TH art. 3811 in the **proper** way. The swelling ring of the bush has to be insert into the groove of the tongs.



6 Run up to the pressing contact of the two jaws of the pliers. **Make sure to periodically check the state of wear, the integrity and cleanliness of the pressing jaws.**



7 Pipe perfectly assembled to the connector



IMPORTANT: the sealing O-Rings have **NOT** to be lubricated

MOUNTING INSTRUCTIONS IDROPRESS CONNECTORS FROM Ø 40 mm to Ø 63 mm



1 Cut perpendicularly the pipe with shears art.3812 **avoiding** to misshape it.



2 Gauge carefully the end of the pipe using the apposite calibrator-countersink art. 3813.



3 **Verify** the correct flare and **eliminate** the materials residues, those could **damage** the sealing O-Rings.



4 Insert the pipe into the connector till to touch the bushing holder, **make sure** that the tube is in the right position thanks to the bush's holes.

Avoid the use damaged fittings.



5 **Before pressing, check the functioning of the press tool art. 3810.**

Position the tongs TH art. 3811 in the **proper** way. The swelling ring of the bush has to be insert into the groove of the tongs.



6 Run up to the pressing contact of the two jaws of the pliers. **Make sure to periodically check the state of wear, the integrity and cleanliness of the pressing jaws.**



7 Pipe perfectly assembled to the connector.



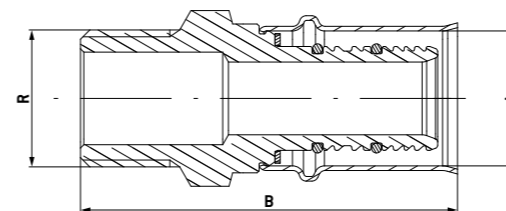
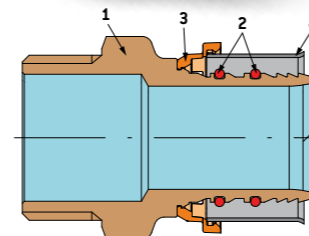
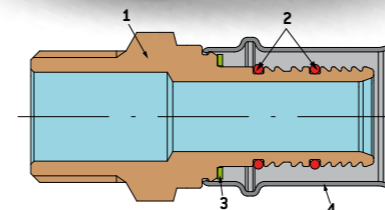
IMPORTANT: the sealing O-Rings have **NOT** to be lubricated

4001...

MALE STRAIGHT FITTING

PRESS FITTINGS FOR PEX-AL-PEX PIPES

ACS



PIPE'S DIAMETER AND THICKNESS:

Ø	thickness
16	2
18	2
20	2
26	3
32	3
40	3,5
50	4
63	4,5

- Male straight press fitting
- Maximum operating pressure: 10 bar
- Thread: EN 10226-1 (ex ISO 7/1)
- Temperature range: 0 - 95°C
- Sizes 40-50-63 are available only with plastic ring

This fitting is particularly indicated for distributing generally non-corrosive fluids that are compatible with the fitting materials.

Excellent fields of application are in plant engineering for plumbing and heating, and industry, especially for use in high- and low-temperature heating, air-conditioning and climate control systems, and in drinking water installations.

Seal is provided by two EPDM Perox O-rings, which are ideal for use with water and glycol solutions MAX 50%.

Pressing of the steel bushing using a power tool guarantees a perfect joint and excellent resistance to external stress.

The jaws used for pressing the fittings must have a TH profile.

COMPONENTS FROM 14 TO 32:

POSN.	PART NAME	No. Pcs.	MATERIAL
1	Fitting	1	CW617N UNI EN 12165 (hot pressed) CW617N UNI EN 12164 (from bar)
2	O-Ring	2	EPDM Perox
3	Washer	1	PTFE
4	Bushing	1	AISI 304 stainless steel

COMPONENTS FROM 40 TO 63:

POSN.	PART NAME	No. Pcs.	MATERIAL
1	Fitting	1	CW617N UNI EN 12165
2	O-Ring	2	EPDM Perox
3	Bushing holder	1	Plastic
4	Bushing	1	AISI 304 stainless steel

DIMENSIONS:

	A	R	B
	16	3/8"	52
	16	1/2"	57
	16	3/4"	55
	18	1/2"	57
	18	3/4"	55
	20	1/2"	57
	20	3/4"	57
	26	1/2"	59
	26	3/4"	59
	26	1"	62
	32	1"	64
	▶ 40	1".1/4	73
	▶ 50	1".1/2	79
	▶ 63	2"	89

▶ For pressing system see page 200

PACKAGING:

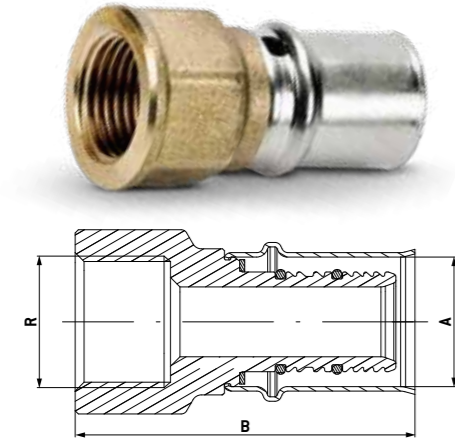
	16-3/8"	16-1/2"	16-3/4"	18-1/2"	18-3/4"	20-1/2"	20-3/4"	26-1/2"	26-3/4"	26-1"	32-1"	40-1.1/4"	50-1.1/2"	63-2"
CODE	40011603	40011604	40011606	40011804	40011806	40012004	40012006	40012604	40012606	40012608	40013208	40014010	40015011	40016313
PIECES PER BAG	10	10	10	10	10	10	10	10	5	5	5	2	2	2
PIECES PER CARTON	250	250	150	200	200	200	150	100	100	80	60	20	20	14

4002...

FEMALE STRAIGHT FITTING

PRESS FITTINGS
FOR PEX-AL-PEX PIPES

ACS



- **Female** straight press fitting
- Maximum operating pressure: 10 bar
- Thread EN 10226-1 (ex ISO 7/1)
- Temperature range: 0 - 95°C
- Sizes 40-50-63 are available only with plastic ring

DIMENSIONS:

A	R	B
16	1/2"	54
16	3/4"	56
18	1/2"	54
18	3/4"	56
20	1/2"	54
20	3/4"	56
20	1"	63
26	3/4"	53
26	1"	63
32	1"	55
32	1 1/4"	64
▶ 40	1 1/4"	62
▶ 50	1 1/2"	71
▶ 63	2"	78

▶ For pressing system see page 200

PACKAGING:

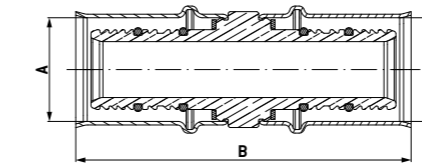
	16-1/2"	16-3/4"	18-1/2"	18-3/4"	20-1/2"	20-3/4"	20-1"	26-3/4"	26-1"	32-1"	32-1.1/4"	40-1.1/4"	50-1.1/2"	63-2"
CODE	40021604	40021606	40021804	40021806	40022004	40022006	40022008	40022606	40022608	40023208	40023210	40024010	40025011	40026313
PIECES PER BAG	10	10	10	10	10	10	5	5	5	5	5	2	2	2
PIECES PER CARTON	200	150	150	120	150	120	70	100	70	60	50	30	20	14

4003...

INTERMEDIATE STRAIGHT FITTINGS

PRESS FITTINGS
FOR PEX-AL-PEX PIPES

ACS



- **Intermediate** straight press fitting
- Maximum operating pressure: 10 bar
- Temperature range: 0 - 95°C
- Sizes 40-50-63 are available only with plastic ring

DIMENSIONS:

A	A1	B
16	16	66
18	16	66
18	18	66
20	16	66
20	18	66
20	20	66
26	16	66
26	18	66
26	20	66
26	26	66
32	16	68
32	20	68
32	26	68
32	32	68
▶ 40	20	80
▶ 40	26	80
▶ 40	32	80
▶ 40	40	84
▶ 50	20	91
▶ 50	26	91
▶ 50	32	90
▶ 50	40	92
▶ 50	50	102
▶ 63	40	96
▶ 63	50	103
▶ 63	63	108

▶ For pressing system see page 200

PACKAGING:

	16x16	18x16	18x18	20x16	20x18	20x20	26x16	26x18	26x20
CODE	40031616	40031816	40031818	40032016	40032018	40032020	40032616	40032618	40032620
PIECES PER BAG	10	10	10	10	10	10	10	10	10
PIECES PER CARTON	200	200	200	150	150	120	100	100	100

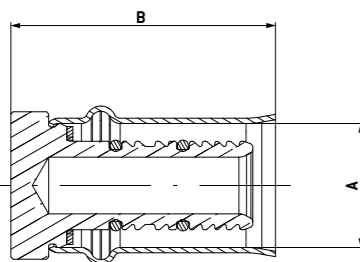
	26x26	32x16	32x20	32x26	32x32	40x20	40x26	40x32	40x40
CODE	40032626	40033216	40033220	40033226	40033232	40034020	40034026	40034032	40034040
PIECES PER BAG	10	5	5	5	5	2	2	2	2
PIECES PER CARTON	100	60	60	60	50	30	30	30	30

	50x20	50x26	50x32	50x40	50x50	63x40	63x50	63x63
CODE	40035020	40035026	40035032	40035040	40035050	40036340	40036350	40036363
PIECES PER BAG	2	2	2	2	2	2	2	2
PIECES PER CARTON	20	20	20	20	20	14	14	14

4009...

CAP FITTING

PRESS FITTINGS
FOR PEX-AL-PEX PIPES



- **Cap** press fitting for 16x2 pipe installation test
- Maximum operating pressure: 10 bar
- Temperature range: 0 - 95°C

DIMENSIONS:

A	B
16	35
18	35
20	35
26	35
32	36

▶ For pressing system see page 200

PACKAGING:

	16	18	20	26	32
CODE	40091600	40091800	40092000	40092600	40093200
PIECES PER BAG	10	10	10	10	10
PIECES PER CARTON	300	200	200	150	100

4031...

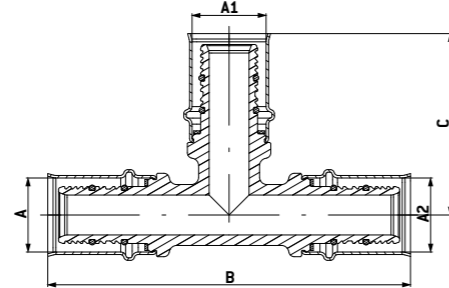
EQUAL TEE FITTING

PRESS FITTINGS
FOR PEX-AL-PEX PIPES

ACS



- Equal tee press fitting
- Maximum operating pressure: 10 bar
- Temperature range: 0 - 95°C
- Sizes 40-50-63 are available only with plastic ring



DIMENSIONS:

A	A1	A2	B	C	A	A1	A2	B	C	A	A1	A2	B	C
16	16	16	93	47	26	18	26	104	52	▶ 40	20	40	132	62
16	20	16	100	50	26	20	16	105	53	▶ 40	26	40	132	62
18	16	16	100	50	26	20	20	104	52	▶ 40	32	40	132	62
18	16	18	100	50	26	20	26	104	52	▶ 40	40	40	132	66
18	18	16	100	50	26	26	16	104	52	▶ 50	16	50	164	69
18	18	18	100	50	26	26	20	104	52	▶ 50	20	50	164	69
20	16	16	100	50	26	26	26	104	52	▶ 50	26	50	164	69
20	16	20	100	50	26	32	26	112	55	▶ 50	32	50	164	69
20	18	18	100	50	32	20	20	110	55	▶ 50	40	40	155	73
20	18	20	100	50	32	20	26	110	55	▶ 50	40	50	164	73
20	20	16	100	50	32	16	32	110	55	▶ 50	50	50	164	82
20	20	20	100	50	32	18	32	110	55	▶ 63	26	63	174	74
20	26	20	106	53	32	20	32	110	55	▶ 63	32	63	174	74
26	16	16	105	53	32	26	26	110	55	▶ 63	40	63	174	78
26	16	20	105	53	32	26	32	110	55	▶ 63	50	63	174	87
26	16	26	104	53	32	32	32	110	55	▶ 63	63	63	174	87

▶ For pressing system see page 200

PACKAGING:

	16x16x16	16x20x16	18x16x16	18x16x18	18x18x16	18x18x18	20x16x16	20x16x20	20x18x18	20x18x20
CODE	4031161616	4031162016	4031181616	4031181618	4031181816	4031181818	4031201616	4031201620	4031201818	4031201820
PIECES PER BAG	10	5	10	10	10	10	5	5	5	5
PIECES PER CARTON	100	80	100	80	100	80	80	80	70	70

	20x20x16	20x20x20	20x26x20	26x16x16	26x16x20	26x16x26	26x18x26	26x20x16	26x20x20	26x20x26
CODE	4031202016	4031202020	4031202620	4031261616	4031261620	4031261626	4031261826	4031262016	4031262020	4031262026
PIECES PER BAG	5	5	5	5	5	5	5	5	5	5
PIECES PER CARTON	80	50	50	80	80	50	50	50	50	50

	26x26x16	26x26x20	26x26x26	26x32x26	32x16x32	32x18x32	32x20x20	32x20x26	32x20x32	32x26x26
CODE	4031262616	4031262620	4031262626	4031263226	4031321632	4031321832	4031322020	4031322026	4031322032	4031322626
PIECES PER BAG	5	5	2	2	2	2	5	2	2	2
PIECES PER CARTON	50	50	40	30	30	30	80	30	30	30

	32x26x32	32x32x32	40x20x40	40x26x40	40x32x40	40x40x40	50x16x50	50x20x50	50x26x50	50x32x50
CODE	4031322632	4031323232	4031402040	4031402640	4031403240	4031404040	4031501650	4031502050	4031502650	4031503250
PIECES PER BAG	2	5	2	2	2	2	2	2	2	2
PIECES PER CARTON	30	30	16	16	16	16	14	14	14	14

	50x40x40	50x40x50	50x50x50	63x26x63	63x32x63	63x40x63	63x50x63	63x63x63		
CODE	4031504040	4031504050	4031505050	4031632663	4031633263	4031634063	4031635063	4031636363		
PIECES PER BAG	2	2	2	2	2	2	2	2		
PIECES PER CARTON	12	12	12	8	8	8	8	8		

4032...

FEMALE TEE FITTING

PRESS FITTINGS
FOR PEX-AL-PEX PIPES

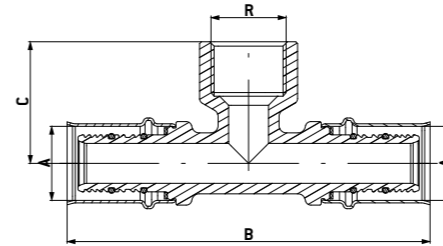
ACS



- Female tee press fitting
- Maximum operating pressure: 10 bar
- Thread EN 10226-1 (ex ISO 7/1)
- Temperature range: 0 - 95°C
- Sizes 40-50-63 are available only with plastic ring

DIMENSIONS:

A	R	B	C
16	1/2"	97	34
18	1/2"	100	34
18	3/4"	100	35
20	1/2"	100	34
20	3/4"	100	35
26	1/2"	104	40
26	3/4"	104	40
32	1/2"	110	45
32	3/4"	110	46
32	1"	110	46
▶ 40	3/4"	132	37
▶ 40	1"	132	57
▶ 40	1".1/4	132	57
▶ 50	3/4"	164	37
▶ 50	1"	164	41
▶ 50	1".1/2	164	64
▶ 63	3/4"	174	42
▶ 63	1"	174	45
▶ 63	2"	174	73



▶ For pressing system see page 200

PACKAGING:

	16-1/2"	18-1/2"	18-3/4"	20-1/2"	20-3/4"	26-1/2"	26-3/4"	32-1/2"	32-3/4"	32-1"
CODE	4032160416	4032180418	4032180618	4032200420	4032200620	4032260426	4032260626	4032320432	4032320632	4032320832
PIECES PER BAG	5	5	5	5	5	5	5	2	2	2
PIECES PER CARTON	100	80	50	80	50	60	50	30	30	30

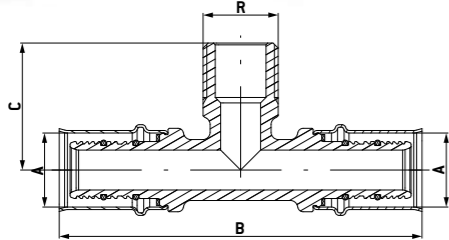
	40-3/4"	40-1"	40-1".1/4	50-3/4"	50-1"	50-1".1/2	63-3/4"	63-1"	63-2"	
CODE	4032405640	4032400840	4032401040	4032505650	4032500850	4032501150	4032635663	4032630863	4032631363	
PIECES PER BAG	2	2	2	2	2	2	2	2	2	
PIECES PER CARTON	14	14	14	12	12	12	8	8	8	

4033...

MALE TEE FITTING

PRESS FITTINGS
FOR PEX-AL-PEX PIPES

ACS



- Male tee press fitting
- Maximum operating pressure: 10 bar
- Thread EN 10226-1 (ex ISO 7/1)
- Temperature range: 0 - 95°C
- Sizes 40-50-63 are available only with plastic ring

DIMENSIONS:

A	R	B	C
16	1/2"	97	35
16	3/4"	97	35
18	1/2"	100	35
18	3/4"	100	35
20	1/2"	100	35
20	3/4"	100	35
26	3/4"	104	43
32	1"	110	46
▶ 40	1".1/4	132	57
▶ 50	1".1/2	164	65

▶ For pressing system see page 200

PACKAGING:

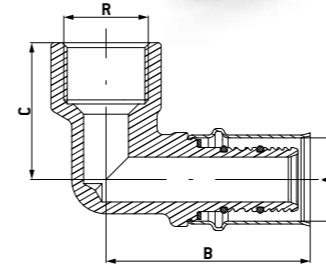
	16-1/2"	16-3/4"	18-1/2"	18-3/4"	20-1/2"	20-3/4"	26-3/4"	32-1"	40-1".1/4	50-1".1/2
CODE	4033160416	4033160616	4033180418	4033180618	4033200420	4033200620	4033260626	4033320832	4033401040	4033501150
PIECES PER BAG	5	5	5	5	5	5	5	2	2	2
PIECES PER CARTON	100	80	80	50	80	50	50	30	14	12

4052...

FEMALE ELBOW FITTING

PRESS FITTINGS
FOR PEX-AL-PEX PIPES

ACS



- Female elbow press fitting
- Maximum operating pressure: 10 bar
- Thread EN 10226-1 (ex ISO 7/1)
- Temperature range: 0 - 95°C
- Sizes 40-50-63 are available only with plastic ring

DIMENSIONS:

A	R	B	C
16	1/2"	49	34
18	1/2"	50	34
20	1/2"	50	34
20	3/4"	50	35
26	3/4"	52	40
26	1"	55	40
32	1"	55	46
▶ 40	1".1/4	66	56
▶ 50	1".1/2	82	64
▶ 63	2"	87	73

▶ For pressing system see page 200

PACKAGING:

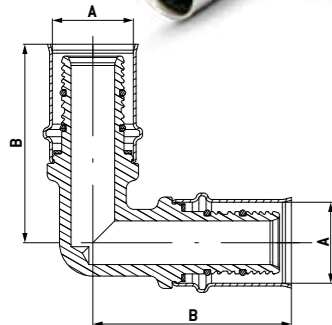
	16-1/2"	18-1/2"	20-1/2"	20-3/4"	26-3/4"	26-1"	32-1"	40-1".1/4	50-1".1/2	63-2"
CODE	40521604	40521804	40522004	40522006	40522606	40522608	40523208	40524010	40525011	40526313
PIECES PER BAG	10	10	10	10	5	5	5	2	2	2
PIECES PER CARTON	150	120	120	100	80	50	50	20	16	10

4051...

EQUAL ELBOW FITTING

PRESS FITTINGS
FOR PEX-AL-PEX PIPES

ACS



- Equal elbow press fitting
- Maximum operating pressure: 10 bar
- Temperature range: 0 - 95°C
- Sizes 40-50-63 are available only with plastic ring

DIMENSIONS:

A	B
16	47
18	50
20	50
26	52
32	55
▶ 40	66
▶ 50	82
▶ 63	87

▶ For pressing system see page 200

PACKAGING:

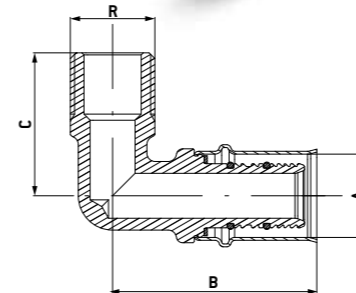
	16	18	20	26	32	40	50	63
CODE	40511616	40511818	40512020	40512626	40513232	40514040	40515050	40516363
PIECES PER BAG	10	10	5	5	5	2	2	2
PIECES PER CARTON	150	120	100	80	50	20	16	10

4053...

MALE ELBOW FITTING

PRESS FITTINGS
FOR PEX-AL-PEX PIPES

ACS



- Male elbow press fitting
- Maximum operating pressure: 10 bar
- Thread EN 10226-1 (ex ISO 7/1)
- Temperature range: 0 - 95°C
- Sizes 40-50-63 are available only with plastic ring

DIMENSIONS:

A	R	B	C
16	3/8"	49	30
16	1/2"	49	35
18	1/2"	50	35
20	1/2"	50	35
20	3/4"	50	35
26	3/4"	52	43
26	1"	52	41
32	1"	55	46
▶ 40	1".1/4	66	56
▶ 50	1".1/2	82	64
▶ 63	2"	87	73

▶ For pressing system see page 200

PACKAGING:

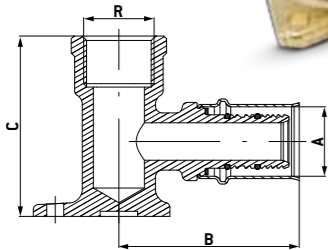
	16-3/8"	16-1/2"	18-1/2"	20-1/2"	20-3/4"	26-3/4"	26-1"	32-1"	40-1".1/4	50-1".1/2	63-2"
CODE	40531603	40531604	40531804	40532004	40532006	40532606	40532608	40533208	40534010	40535011	40536313
PIECES PER BAG	10	10	10	10	10	5	5	5	2	2	2
PIECES PER CARTON	200	200	150	150	100	80	50	50	20	16	10

4054...

FEMALE ELBOW FITTING

PRESS FITTINGS
FOR PEX-AL-PEX PIPES

ACS



- **Female** flanged elbow press fitting
- Maximum operating pressure: 10 bar
- Thread EN 10226-1 (ex ISO 7/1)
- Temperature range: 0 - 95°C

DIMENSIONS:

A	R	B	C
16	1/2"	53	53
18	1/2"	53	53
20	1/2"	53	53
20	3/4"	53	55

PACKAGING:

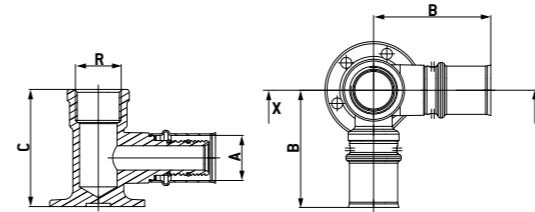
	16-1/2"	18-1/2"	20-1/2"	20-3/4"
CODE	40541604	40541804	40542004	40542006
PIECES PER BAG	5	5	5	5
PIECES PER CARTON	80	60	60	60

4055...

FEMALE DOUBLE ELBOW

PRESS FITTINGS
FOR PEX-AL-PEX PIPES

ACS



- **Female** flanged double elbow press fitting
- Maximum operating pressure: 10 bar
- Thread EN 10226-1 (ex ISO 7/1)
- Temperature range: 0 - 95°C

DIMENSIONS:

A	R	B	C
16	1/2"	53	53
18	1/2"	53	53
20	1/2"	53	53

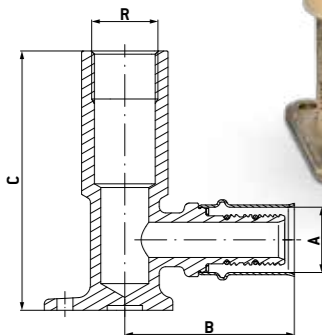
PACKAGING:

	16x1/2"	18x1/2"	20x1/2"
CODE	40551604	40551804	40552004
PIECES PER BAG	5	10	5
PIECES PER CARTON	50	60	50

4058...

FEMALE ELBOW FITTINGS

PRESS FITTINGS
FOR PEX-AL-PEX PIPES



- **Female** flanged elbow press fitting long pattern
- Maximum operating pressure: 10 bar
- Thread EN 10226-1 (ex ISO 7/1)
- Temperature range: 0 - 95°C

DIMENSIONS:

A	R	C	B
16	1/2"	81	53
20	1/2"	81	53

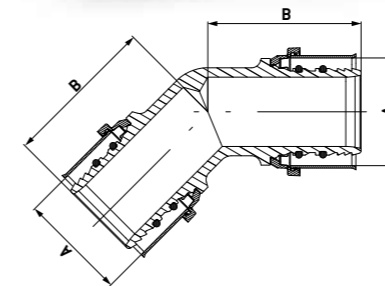
PACKAGING:

	16	20
CODE	40581604	40582004
PIECES PER BAG	5	5
PIECES PER CARTON	50	50

4050...

EQUAL 45° INTERMEDIATE ELBOW

PRESS FITTINGS
FOR PEX-AL-PEX PIPES



- Equal 45° **intermediate** elbow press fitting
- Maximum operating pressure: 10 bar
- Temperature range: 0 - 95°C

DIMENSIONS:

A	B
32	50
▶ 40	58
▶ 50	68
▶ 63	69

▶ For pressing system see page 200

PACKAGING:

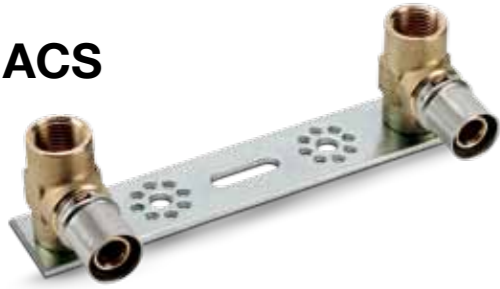
	32	40	50	63
CODE	40503232	40504040	40505050	40506363
PIECES PER BAG	5	2	2	2
PIECES PER CARTON	50	40	30	10

4004...

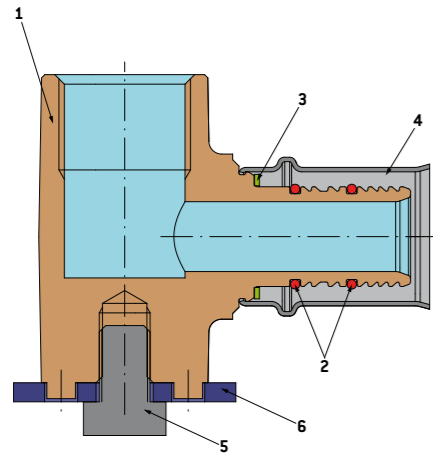
PIPE CLIP FITTING

PRESS FITTINGS
FOR PEX-AL-PEX PIPES

ACS



- Press fittings with perforated fixed pipe clip
- Maximum operating pressure: 10 bar
- Thread EN 10226-1 (ex ISO 7/1)
- Temperature range: 0 - 95°C

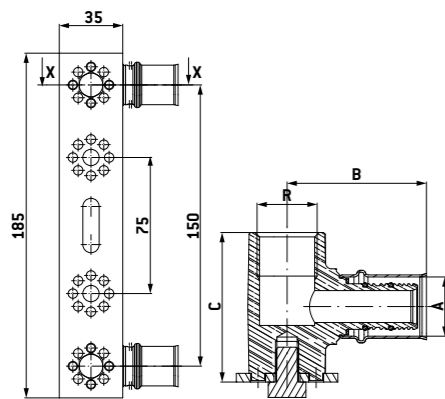


COMPONENTS:

POSN.	PART NAME	No. Pcs.	MATERIAL
1	Fitting	2	CW617N UNI EN 12165
2	O-Ring	4	EPDM Perox
3	Washer	2	PTFE
4	Bushing	2	AISI 304 stainless steel
5	M8 screw	2	Galvanized iron
6	Spacer pipe clip	1	Galvanized iron

DIMENSIONS:

A	R	C	B
16	1/2"	51,5	48
20	1/2"	51,5	48



PACKAGING:

	16-1/2"	20-1/2"
CODE	40041604	40042004
PIECES PER BAG	1	1
PIECES PER CARTON	25	25

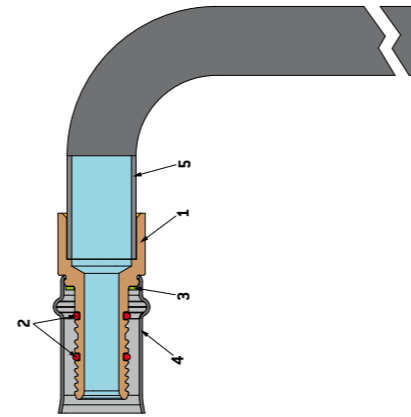
4005...

FITTING WITH PIPE

PRESS FITTINGS
FOR PEX-AL-PEX PIPES



- Press fitting with extension for radiator
- Maximum operating pressure: 10 bar
- Temperature range: 0 - 95°C
- Finish: nickel-plated

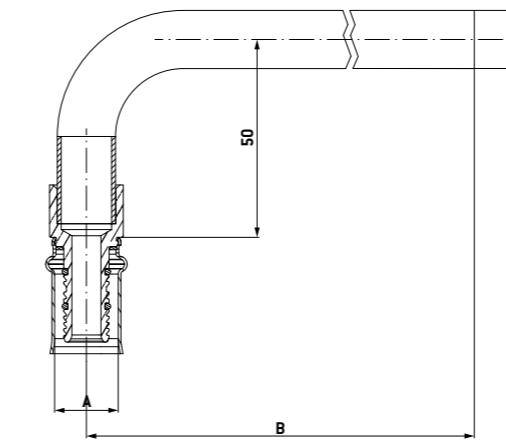


COMPONENTS:

POSN.	PART NAME	No. Pcs.	MATERIAL
1	Fitting	1	CW617N UNI EN 12164 nichelato
2	O-Ring	2	EPDM Perox
3	Washer	1	PTFE
4	Bushing	1	AISI 304 stainless steel
5	Pipe	1	Nickel-plated copper

DIMENSIONS:

A	ø	B
16	15	300
16	15	1100
20	15	300
20	15	1100



PACKAGING:

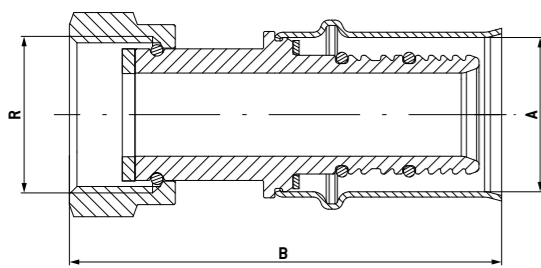
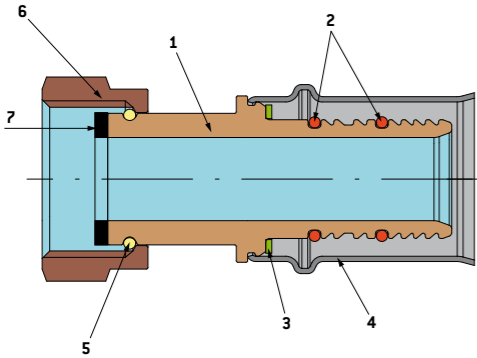
	16x15 - 300	16x15 - 1100	20x15 - 300	20x15 - 1100
CODE	40050316	40051116	40050320	40051120
PIECES PER BAG	2	2	2	2
PIECES PER CARTON	50	50	50	50

4006...

STRAIGHT FITTING

PRESS FITTINGS
FOR PEX-AL-PEX PIPES

ACS



- **Straight** press fitting with swivel nut
- Maximum operating pressure: 10 bar
- Thread: ISO 228
- Temperature range: 0 - 95°C

COMPONENTS:

POSN.	PART NAME	No. Pcs.	MATERIAL
1	Fitting	1	CW617N UNI EN 12164
2	O-Ring	2	EPDM Perox
3	Washer	1	PTFE
4	Bushing	1	AISI 304 stainless steel
5	Ring	1	Stainless steel
6	Nut	1	CW617N UNI EN 12165
7	Gasket	1	Fasit Omnia

DIMENSIONS:

A	R	B
16	3/8"	54
16	1/2"	56
16	3/4"	56
20	1/2"	57
20	3/4"	56
26	3/4"	60
26	1"	58
32	1"	63
32	1".1/4	57

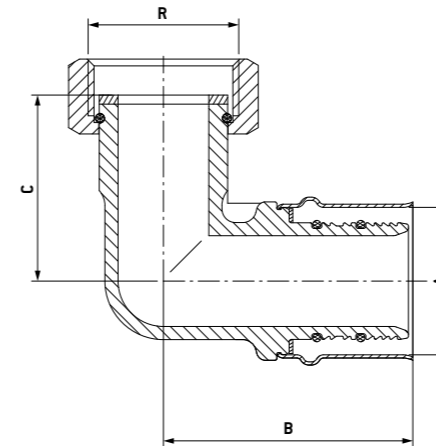
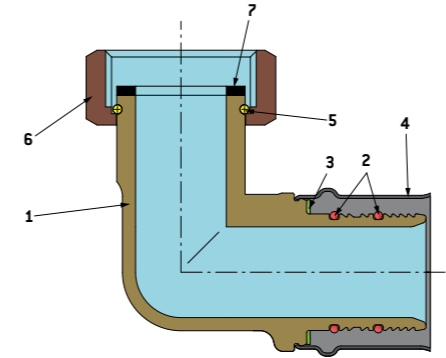
PACKAGING:

	16-3/8"	16-1/2"	16-3/4"	20-1/2"	20-3/4"	26-3/4"	26-1"	32-1"	32-1".1/4
CODE	40061603	40061604	40061606	40062004	40062006	40062606	40062608	40063208	40063210
PIECES PER BAG	10	10	10	10	10	5	5	2	2
PIECES PER CARTON	250	200	150	150	150	100	80	60	50

4056...

ELBOW

PRESS FITTINGS
FOR PEX-AL-PEX PIPES



- **Elbow** press fitting with swivel nut
- Maximum operating pressure: 10 bar
- Thread EN 10226-1 (ex ISO 7/1)
- Temperature range: 0° - 95° C

COMPONENTS:

POSN.	PART NAME	No. Pcs.	MATERIAL
1	Fitting	1	CW617N UNI EN 12165
2	O-Ring	2	EPDM Perox
3	Washer	1	PTFE
4	Bushing	1	AISI 304 stainless steel
5	Elastic ring	1	Stainless steel
6	Nut	1	CW617N UNI EN 12165
7	Flat gasket	1	Fasit Omnia

DIMENSIONS:

A Pex-Al-Pex	R	B	C
16	1/2"	49	35
16	3/4"	49	35
20	1/2"	50	35
20	3/4"	50	35
26	3/4"	52	38
26	1"	52	38
32	1"	55	41
32	1".1/4	55	43

PACKAGING:

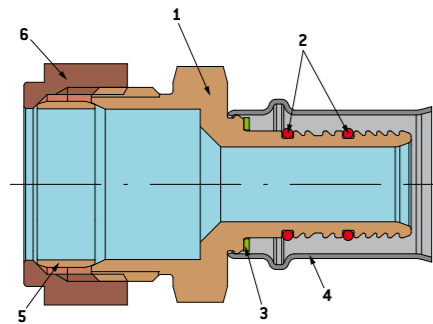
	16-1/2"	16-3/4"	20-1/2"	20-3/4"	26-3/4"	26-1"	32-1"	32-1".1/4
CODE	40561604	40561606	40562004	40562006	40562606	40562608	40563208	40563210
PIECES PER BAG	10	10	10	10	5	5	5	5
PIECES PER CARTON	-	-	-	-	-	50	50	-

4007...

STRAIGHT FITTING

PRESS FITTINGS
FOR PEX-AL-PEX PIPES

ACS



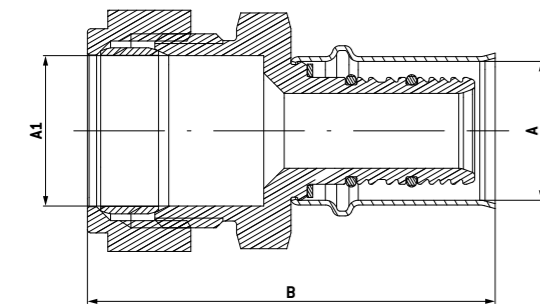
- **Straight** press fitting compression end
- Maximum operating pressure: 10 bar
- Temperature range: 0 - 95°C

COMPONENTS:

POSN.	PART NAME	No. Pcs.	MATERIAL
1	Fitting	1	CW617N UNI EN 12164 (from bar) CW617N UNI EN 12165 (hot pressed)
2	O-Ring	2	EPDM Perox
3	Washer	1	PTFE
4	Bushing	1	AISI 304 stainless steel
5	Crowned olive	1	CW508L
6	Nut	1	CW617N UNI EN 12165

DIMENSIONS:

A Pex-Al-Pex	A1 Tu-Cu	B
16	14	62
16	15	62
16	16	62
20	18	63
20	22	60



PACKAGING:

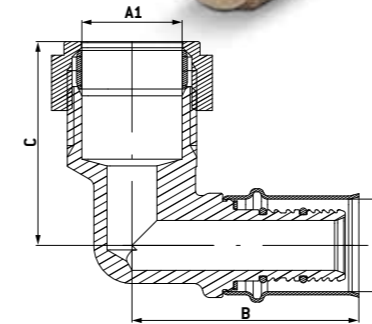
	16-14	16-15	16-16	20-18	20-22
CODE	40071665	40071666	40071667	40072068	40072069
PIECES PER BAG	10	10	10	10	10
PIECES PER CARTON	200	200	200	120	120

4008...

ELBOW

PRESS FITTINGS
FOR PEX-AL-PEX PIPES

ACS



- **Elbow** press fitting compression end
- Maximum operating pressure: 10 bar
- Temperature range: 0 - 95°C

DIMENSIONS:

A Pex-Al-Pex	A1 Tu-Cu	C	B
16	15	41	49
20	22	45	50

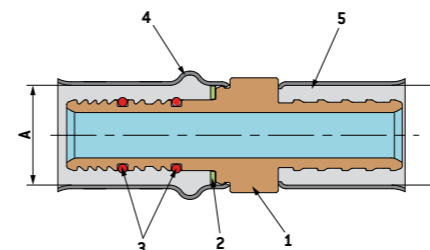
PACKAGING:

	16-15	20-22
CODE	40081666	40082069
PIECES PER BAG	10	10
PIECES PER CARTON	150	100

4600...

INTERMEDIATE FITTINGS PEX-AL-PEX/PEX

PRESS FITTINGS
FOR PEX-AL-PEX PIPES



- **Intermediate** straight press fitting PEX-AL-PEX/PEX
- Maximum operating pressure: 10 bar
- Temperature range: 0 - 95°C

COMPONENTS:

POSN.	PART NAME	No. Pcs.	MATERIAL
1	Fitting	1	CW617N UNI EN 12164
2	Washer	1	PTFE
3	O-ring	2	EPDM PEROX
4	Bushing PEX-AL-PEX	1	AISI 304 stainless steel
5	Bushing PEX	1	AISI 304 stainless steel

DIMENSIONS:

A (PEX-AL-PEX)	B (PEX)
16x2	12x1,1
16x2	16x1,5
20x2	20x1,9

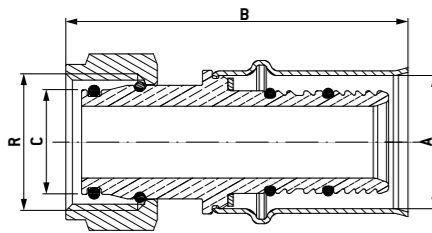
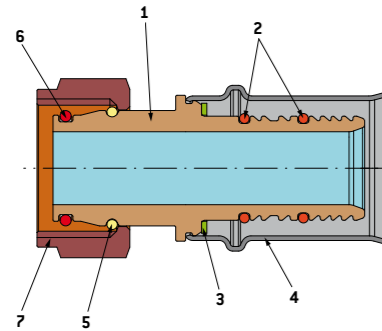
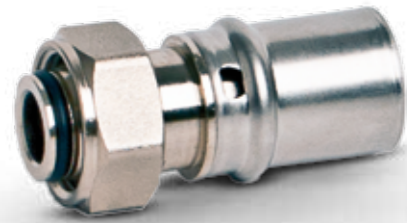
PACKAGING:

	16x12	16x16	20x20
CODE	46021612	46011616	46002020
PIECES PER BAG	10	10	10
PIECES PER CARTON	200	200	120

9660...

STRAIGHT FITTING

PRESS FITTINGS
FOR PEX-AL-PEX PIPES



- **Straight** press fitting with M22x1.5 swivel nut
- Maximum operating pressure: 10 bar
- Thread: M22x1,5
- Temperature range: 0 - 95°C
- Finish: yellow (approved **ACS**)
- Finish: nickel-plated (**NOT** approved **ACS**)

COMPONENTS:

POSN.	PART NAME	No. Pcs.	MATERIAL
1	Fitting	1	CW617N UNI EN 12164 Nickel-plated
2	O-Ring	2	EPDM Perox
3	Washer	1	PTFE
4	Bushing	1	AISI 304 Stainless steel
5	Ring	1	AISI 302 Stainless steel
6	O-Ring	1	EPDM Perox
7	Nut	1	CW617N UNI EN 12165 Nickel-plated

DIMENSIONS:

A	R	B	C
16	M 22x1,5	50	16
20	M 22x1,5	55	16

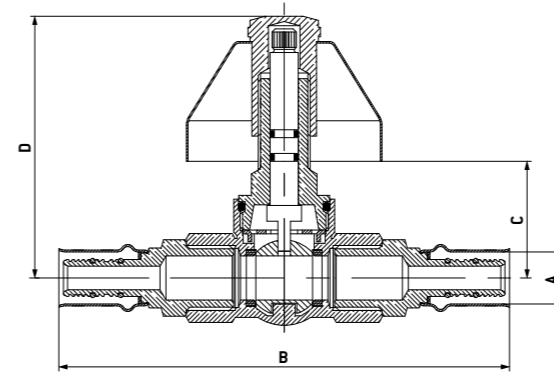
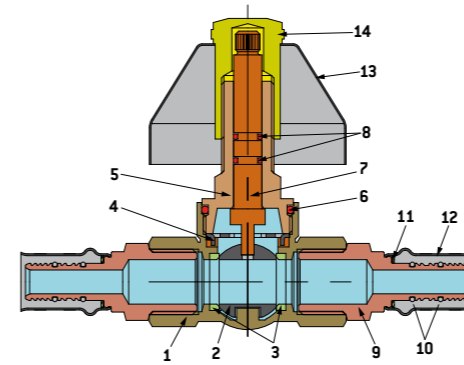
PACKAGING:

	16 - M22x1,5	20 - M22x1,5
CODE	96601600	96602000
PIECES PER BAG	10	10
PIECES PER CARTON	250	200

8005...

BALL VALVE

PRESS FITTINGS
FOR PEX-AL-PEX PIPES



- Built-in ball valve with knob and coupling cap for multi-layer pipe
- Finish: nickel-plated
- Extractable Stem and ball
- Fittings fixed onto the valve body with ecologically-compatible soft soldered S-Sn97Cu3 (DIN EN 29453)
- Maximum operating pressure: 10 bar
- Temperature range: 0 - 95°C
- For accessories see chapter "components for plumbing and heating" from page 93-94-95

COMPONENTS:

POSN.	PART NAME	No. Pcs.	MATERIAL
1	Body	1	CW617N UNI EN 12165 Nickel-plated
2	Ball	1	CW617N UNI EN 12164 Chrome-plated
3	Retaining ring	2	PTFE
4	Manoeuvre retainer	1	Stainless steel
5	Upper part	1	CW617N UNI EN 12165
6	O-Ring Upper part	1	NBR
7	Stem	1	CW617N UNI EN 12164
8	O-Ring stem	2	NBR
9	Fitting	2	CW617N UNI EN 12164 Nickel-plated
10	O-Ring fitting	4	EPDM Perox
11	Washer	2	PTFE
12	Bushing	2	AISI 304 stainless steel
13	Crowned cap	1	Chrome-plated brass
14	Broached knob	1	CW617N UNI EN 12164 Chrome-plated

DIMENSIONS:

A	B	C min	C max	D min	D max	PN
16	148	36	51	83	96	10
18	148	36	51	83	96	10
20	148	36	51	83	96	10
26	154	39	54	86	99	10

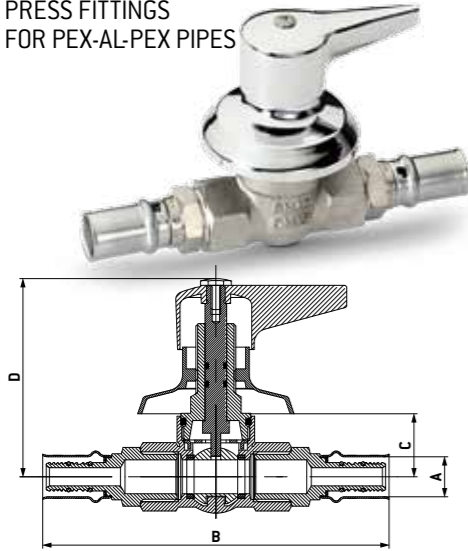
PACKAGING:

	16	18	20	26
CODE		80051818	80052020	80052626
PIECES PER BAG	4	4	4	4
PIECES PER CARTON	48	48	48	48

8002...

BUILT-IN BALL VALVE

PRESS FITTINGS
FOR PEX-AL-PEX PIPES



- Built-in ball valve with rosette and coupling handle for multi-layer pipe
- Finish: nickel-plated
- Extractable Stem and ball
- Maximum operating pressure: 10 bar
- Temperature range: 0 - 95°C
- For accessories see chapter "components for plumbing and heating" from page 93-94-95

DIMENSIONS:

A	B	C min	C max	D	PN
16	148	26	40	79	10
18	148	26	40	79	10
20	148	26	40	79	10
26	154	29	43	82	10

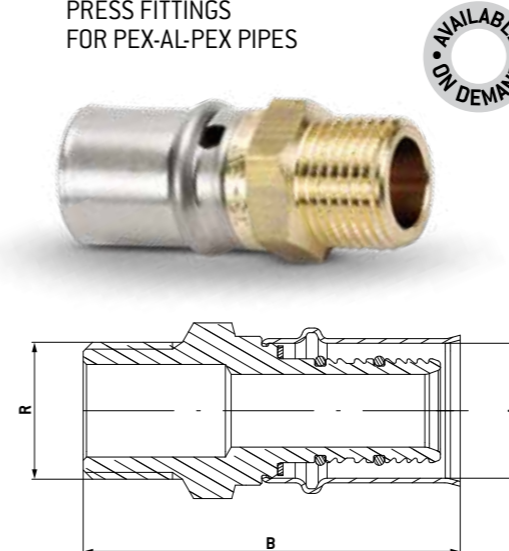
PACKAGING:

	16	18	20	26
CODE	80021616	80021818	80022020	80022626
PIECES PER BAG	4	4	4	4
PIECES PER CARTON	48	48	48	48

4501...

MALE STRAIGHT FITTING

PRESS FITTINGS
FOR PEX-AL-PEX PIPES



- Male straight press fitting, for **extra-thick tube**
- Maximum operating pressure: 10 bar
- Thread EN 10226-1 (ex ISO 7/1)
- Temperature range: 0 - 95°C

PIPE'S DIAMETER AND THICKNESS:

∅	spessore
16	2,25
20	2,5

DIMENSIONS:

A	R	B
16x2,25	1/2"	57
20x2,5	1/2"	57
20x2,5	3/4"	57

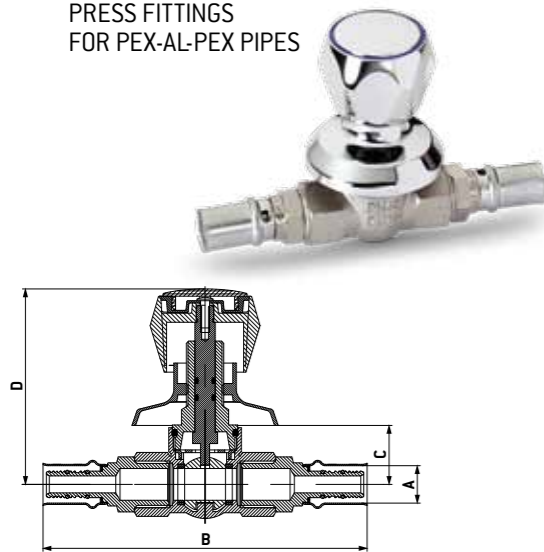
PACKAGING:

	16x2,25-1/2"	20x2,5-1/2"	20x2,5-3/4"
CODE	45011604	45012004	45012006
PIECES PER BAG	10	10	10
PIECES PER CARTON	250	200	150

8000...

BUILT-IN BALL VALVE

PRESS FITTINGS
FOR PEX-AL-PEX PIPES



- Built-in ball valve with rosette and fitting globe handle for multi-layer pipe
- Finish: nickel-plated
- Extractable Stem and ball
- Maximum operating pressure: 10 bar
- Temperature range: 0 - 95°C
- For accessories see chapter "components for plumbing and heating" from page 93-94-95

DIMENSIONS:

A	B	C min	C max	D	PN
16	148	23	38	86	10
18	148	23	38	86	10
20	148	23	38	86	10
26	154	26	41	89	10

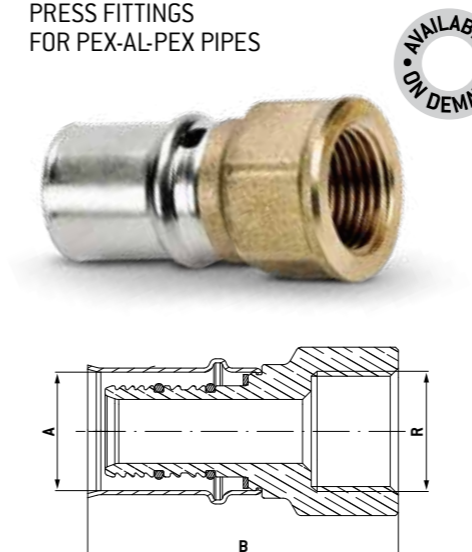
PACKAGING:

	16	18	20	26
CODE	80001616	80001818	80002020	80002626
PIECES PER BAG	4	4	4	4
PIECES PER CARTON	48	48	48	48

4502

FEMALE STRAIGHT FITTING

PRESS FITTINGS
FOR PEX-AL-PEX PIPES



- Female straight press fitting, for **extra-thick tube**
- Maximum operating pressure: 10 bar
- Thread EN 10226-1 (ex ISO 7/1)
- Temperature range: 0 - 95°C

DIMENSIONS:

A	R	B
16x2,25	1/2"	54
20x2,5	3/4"	54

PACKAGING:

	16x2,5-1/2"	20x2,5-3/4"
CODE	45021604	45022006
PIECES PER BAG	10	10
PIECES PER CARTON	200	120

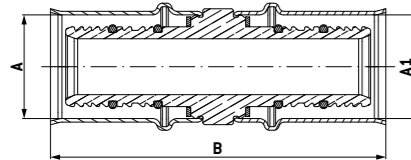
4503...

INTERMEDIATE STRAIGHT FITTINGS

PRESS FITTINGS
FOR PEX-AL-PEX PIPES



ACS



- **Intermediate** straight press fitting, for **extra-thick tube**
- Maximum operating pressure: 10 bar
- Temperature range: 0 - 95°C
- Sizes 40-50-63 are available only with plastic ring

DIMENSIONS:

A	A1	B
16x2,25	16x2,25	66
20x2,5	20x2,5	66

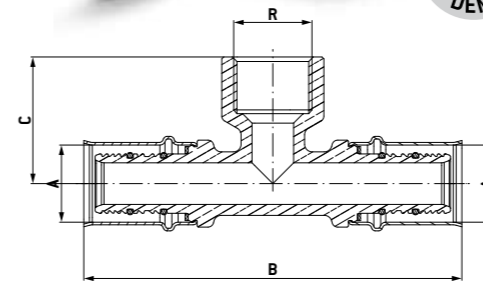
PACKAGING:

	16x2,25	20x2,5
CODE	45031616	45032020
PIECES PER BAG	10	10
PIECES PER CARTON	200	100

4532...

FEMALE TEE FITTING

PRESS FITTINGS
FOR PEX-AL-PEX PIPES



DIMENSIONS:

A	R	B	C
16x2,25	1/2"	97	34
20x2,5	1/2"	100	34
20x2,5	3/4"	100	25

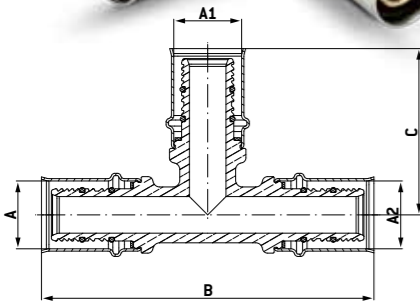
PACKAGING:

	16x2,25-1/2"	20x2,5-1/2"	20x2,5-3/4"
CODE	4532160416	4532200420	4532200620
PIECES PER BAG	5	5	5
PIECES PER CARTON	100	80	50

4531...

EQUAL TEE FITTING

PRESS FITTINGS
FOR PEX-AL-PEX PIPES



- **Equal** tee press fitting, for **extra-thick tube**
- Maximum operating pressure: 10 bar
- Temperature range: 0 - 95°C

DIMENSIONS:

A	A1	A2	B	C
16x2,25	16x2,25	16x2,25	93	47
20x2,5	16x2,25	20x2,5	100	50
20x2,5	20x2,5	20x2,5	100	50
26x3	16x2,25	26x3	104	53

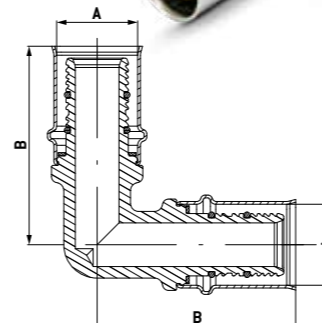
PACKAGING:

	16x2,25 - 16x2,25 - 16x2,25	20x2,5 - 16x2,25 - 20x2,5	20x2,5 - 20x2,5 - 20x2,5	26x3 - 16x2,25 - 26x3
CODE	4531161616	4531201620	4531202020	4531261626
PIECES PER BAG	10	5	5	5
PIECES PER CARTON	100	50	50	50

4551...

EQUAL ELBOW FITTING

PRESS FITTINGS
FOR PEX-AL-PEX PIPES



- **Equal** elbow press fitting, for **extra-thick tube**
- Maximum operating pressure: 10 bar
- Temperature range: 0 - 95°C
- Sizes 40-50-63 are available only with plastic ring

DIMENSIONS:

A	B
16	47
20	50

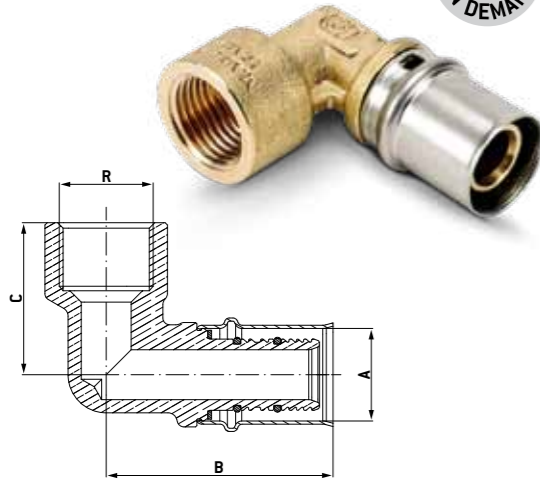
PACKAGING:

	16	20
CODE	45511616	45512020
PIECES PER BAG	10	5
PIECES PER CARTON	150	100

4552...

FEMALE ELBOW FITTING

PRESS FITTINGS
FOR PEX-AL-PEX PIPES



- **Female** elbow press fitting, for **extra-thick tube**
- Maximum operating pressure: 10 bar
- Thread EN 10226-1 (ex ISO 7/1)
- Temperature range: 0 - 95°C

DIMENSIONS:

A	R	B	C
16x2,25	1/2"	48,5	34
20x2,5	1/2"	50	34
20x2,5	3/4"	50	35

PACKAGING:

	16x2,25-1/2"	20x2,5-1/2"	20x2,5-3/4"
CODE	45521604	45522004	45522006
PIECES PER BAG	10	10	10
PIECES PER CARTON	150	120	100

4554...

FEMALE ELBOW FITTING

PRESS FITTINGS
FOR PEX-AL-PEX PIPES



- **Female** flanged elbow press fitting, for **extra-thick tube**
- Maximum operating pressure: 10 bar
- Thread EN 10226-1 (ex ISO 7/1)
- Temperature range: 0 - 95°C

DIMENSIONS:

A	R	B	C
16x2,25	1/2"	53	53
20x2,5	1/2"	53	53

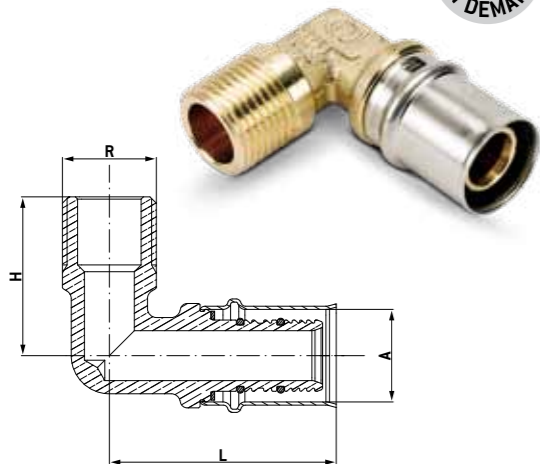
PACKAGING:

	16x2,25-1/2"	20x2,5-1/2"
CODE	45541604	45542004
PIECES PER BAG	5	5
PIECES PER CARTON	80	60

4553...

MALE ELBOW FITTING

PRESS FITTINGS
FOR PEX-AL-PEX PIPES



- **Male** elbow press fitting, for **extra-thick tube**
- Maximum operating pressure: 10 bar
- Thread EN 10226-1 (ex ISO 7/1)
- Temperature range: 0 - 95°C

DIMENSIONS:

A	R	H	L
16x2,25	1/2"	35	49
20x2,5	1/2"	35	50
20x2,5	3/4"	35	50

PACKAGING:

	16x2,25-1/2"	20x2,5-1/2"	20x2,5-3/4"
CODE	45531604	45532004	45532006
PIECES PER BAG	10	10	10
PIECES PER CARTON	200	150	100

BONOMI HOME GAS SYSTEM



BONOMI HOME GAS system is manufactured according to UNI / TS 11344 "multilayer piping systems and metal-plastic fittings carrying gaseous fuels for internal systems", and UNI / TS 11343 "Plant gas supply for domestic use fed by network distribution of bins and fixed GPL storage tanks, piping systems made of multilayer metal-plastic-Design, installation and maintenance" and is composed of multilayer pipe PE-Xb/Al/PE-Xb yellow, press brass fittings identified by laser marking (GAS). Valves and all connections and terminals that make up the multi-layered metal system are placed in special metal boxes with lid unsealed for inspection in accordance with UNI CIG 7129-1.

BONOMI HOME GAS system can be used in air supply and distribution of gas at low pressure with the following applications:

- Type of Gas:
Natural Gas (2nd family)
GPL (3rd family)
- Maximum operating pressure (MOP):
0.5 bar (500 Mbar)
- Temperature range:
-20°C to + 70°C

General precautions of use

Instructions for transport, storage and installation of the system, can be downloaded directly on the website www.bonomiservice.com in the download section, or can be obtained directly from our sales department. Installer should always verify the integrity of the connection before the installation.

It is forbidden:

- the use of fittings visibly damaged or otherwise not well conserved;
- the use of tools and / or jaws / templates other than those set by the system manufacturer in the operating instructions and warnings;
- the use of tubes other than those specified by the system manufacturer in the operating instructions and warnings;
- interfere with or replace any seal.

In the transport operation is appropriate to place the tubes on smooth surfaces and avoid unnecessary protrusions. The tubes delivered on site (usually prepared in rolls or rods) should be stored in places away from sunlight and heat in order not to cause any damage to the tube surface. It is good practice to keep the tubes in the original packaging that contributes to the perfect preservation in order to protect the material from the solar UV radiation and avoid contact with sharp or abrasive bodies.

4480...

HOMEGAS PEX-AL-PEX PIPE

PEX-AL-PEX PIPES FOR GAS



The multi-layer tube HOME GAS represents a good alternative to metal pipes currently in use.

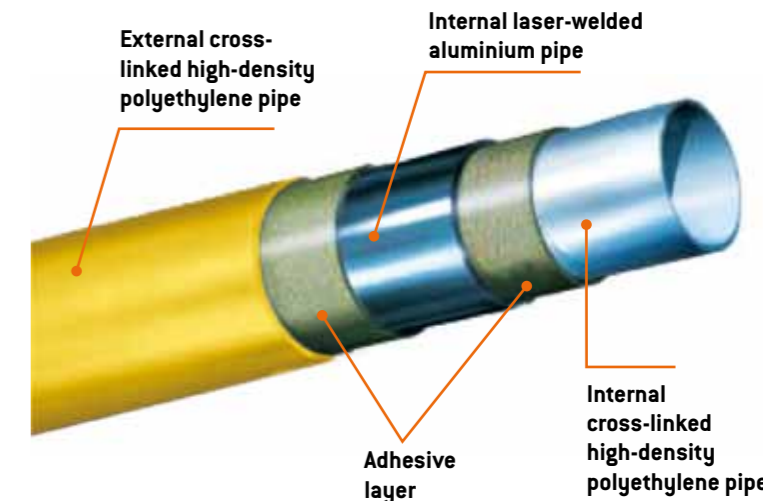
The main features can be summarized in the following points:

- Ease of installation due to the lightness and the absence of elastic memory given by the inner layer of aluminum.
- Resistance to corrosion given by the layers of reticled polyethylene and the use of dielectric barriers those preserve the product from chemical corrosion, electromagnetic and natural, avoiding the so-called "stack effect".
- Reduced losses. The inner surface in polyethylene has a surface finish that guarantees a considerable reduction of the losses typical of metal pipes.
- Impermeable to oxygen through the aluminum layer that prevents the passage of gases to prevent corrosion of the trigger circuits.
- Contained thermal expansion. The multilayer pipe reduces the thermal expansion of plastics due to its inner layer of aluminum, and maintains the same positive properties such as reduced pressure drop, ease of installation, in fact it is easy to bend, and even at low temperatures maintains the desired curvature.
- Possibility to have a pre-insulated multilayer pipe with special sheath certified GAS use.

4481...

HOMEGAS PEX-AL-PEX PIPE WITH GIRDLE

PEX-AL-PEX PIPES FOR GAS



HOMEGAS - PRESSING SYSTEM FOR CONNECTORS FROM Ø 16 mm to Ø 26 mm



The pressing system for connectors from Ø 16 to Ø 26 is done through the utilization of a tong TH model, that misshapes the bush in stainless steel AISI 304 solubilized determining the locking of the pipe to the connector.

PACKAGING 4480:

	16x2	20x2	26x3
CODE	44801600	44802000	44802600
METERS FOR BOX	100	100	50

PACKAGING 4481:

	16x2	20x2	26x3
CODE	44811600	44812000	44812600
METERS FOR BOX	50	50	25

MOUNTING INSTRUCTIONS HOME GAS CONNECTORS FROM Ø 16 mm to Ø 26 mm



Cut perpendicularly the pipe with shears art.3812 **avoiding** to misshape it. **It is forbidden to use other pipes than those specified by the manufacturer of the system.**



Gauge carefully the end of the pipe using the apposite calibrator-countersink art. 3813.



Verify the correct flare and **eliminate** the materials residues, those could **damage** the sealing O-Rings.



Insert the pipe into the connector till to touch the dielectrical washer, **make sure** that the tube is in the right position thanks to the bush's holes. **Avoid the use damaged fittings.**



Before pressing, check the functioning of the press tool art. 3810. Position the tongs TH art. 3811 in the **proper** way. The swelling ring of the bush has to be insert into the groove of the tongs.



Run up to the pressing contact of the two jaws of the pliers. **Make sure to periodically check the state of wear, the integrity and cleanliness of the pressing jaws.**



Pipe perfectly assembled to the connector



IMPORTANT: the sealing O-Rings have **NOT** to be lubricated

PRECAUTIONS

The joining process, materials, equipments and tools used should be those defined by the manufacturer of the system for multi-layer pipes, with directions and procedures laid down in the booklet of instructions and warnings, specifically done in support of the same. Fittings can be buried or placed subtrack on condition that they are respectively inserted into a suitable well, that can be inspected or a special box with not-tight lid, that can be inspected too. The points of junctions in correspondence of the fittings placed in the wells should be properly protected against corrosion, as required by EN 12954.

4401...

MALE STRAIGHT FITTING

HOME GAS PRESS FITTINGS FOR PEX-AL-PEX PIPES



- **Male** straight press fitting for gas
- Maximum operating pressure: MOP 0,5 BAR
- Thread: UNI EN 10226-1 (ex ISO 7/1)
- Temperature range: min. -20 °C - max +70 °C
- Manufactured according to UNI/TS11344

The fitting is particularly suitable for the distribution of natural gas and GPL at low pressure.

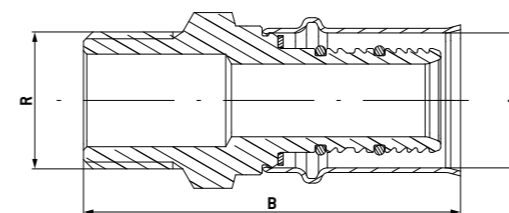
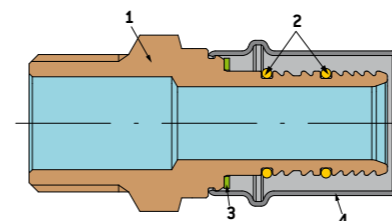
The fields of application can be the installation of new plants or replacing existing ones. Sealing is ensured by two O-rings in NBR with yellow Teflon, approved in accordance with UNI EN 682/06 and DVGW EN 549.

The pressing of the steel bush, done by electromechanical tools, ensures a perfect and indivisible grafting to the tube and also ensures a good resistance to external stresses.

The jaws to be used for the pressing of fittings are **TH** profile.

COMPONENTS FROM 14 TO 26:

POSN.	PART NAME	No. Pcs.	MATERIAL
1	Fitting	1	CW617N UNI EN 12165 (hot pressed) CW617N UNI EN 12164 (from bar)
2	O-Ring	2	NBR UNI EN 682/06 - DVGW EN 549
3	Washer	1	PTFE
4	Bushing	1	AISI 304 stainless steel "gas marked"



DIMENSIONS:

	A	R	B
16		1/2"	57
20		1/2"	57
20		3/4"	57
26		3/4"	59
26		1"	61

PIPE'S DIAMETER AND THICKNESS:

Ø	thickness
16	2
20	2
26	3

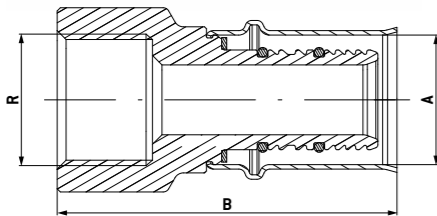
PACKAGING:

	16-1/2"	20-1/2"	20-3/4"	26-3/4"	26-1"
CODE	44011654	44012054	44012056	44012656	44012658
PIECES PER BAG	10	10	10	5	5
PIECES PER CARTON	250	200	150	100	80

4402...

FEMALE STRAIGHT FITTING

HOME GAS PRESS FITTINGS
FOR PEX-AL-PEX PIPES



- **Female** straight press fitting for gas
- Maximum operating pressure: MOP 0,5 BAR
- Thread: UNI EN 10226-1 (ex ISO 7/1)
- Temperature range: min. -20 °C - max +70 °C
- Manufactured according to UNI/TS11344

DIMENSIONS:

A	R	B
16	1/2"	53,5
20	1/2"	53,5
20	3/4"	53,5
26	3/4"	53
26	1"	58

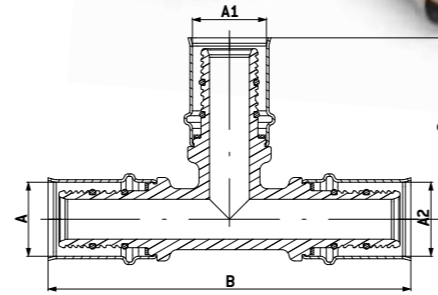
PACKAGING:

	16-1/2"	20-1/2"	20-3/4"	26-3/4"	26-1"
CODE	44021654	44022054	44022056	44022656	44022658
PIECES PER BAG	10	10	10	5	5
PIECES PER CARTON	200	120	120	100	70

4431...

EQUAL TEE FITTING

HOME GAS PRESS FITTINGS
FOR PEX-AL-PEX PIPES



DIMENSIONS:

- **Equal** tee press fitting for gas
- Maximum operating pressure: MOP 0,5 BAR
- Temperature range: min. -20 °C - max +70 °C
- Manufactured according to UNI/TS11344

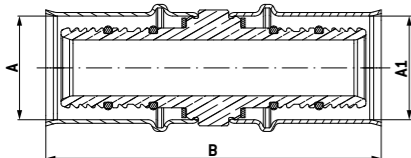
PACKAGING:

	16x16x16	20x16x20	20x20x20	20x26x20	26x16x26	26x20x26	26x26x26
CODE	4431161616	4431201620	4431202020	4431202620	4431261626	4431262026	4431262626
PIECES PER BAG	10	5	10	5	5	5	5
PIECES PER CARTON	100	80	70	50	40	40	40

4403...

INTERMEDIATE STRAIGHT FITTINGS

HOME GAS PRESS FITTINGS
FOR PEX-AL-PEX PIPES



- **Intermediate** straight press fitting for gas
- Maximum operating pressure: MOP 0,5 BAR
- Temperature range: min. -20 °C - max +70 °C
- Manufactured according to UNI/TS11344

DIMENSIONS:

A	A1	B
16	16	66
20	16	66
20	20	66
26	20	66
26	26	66

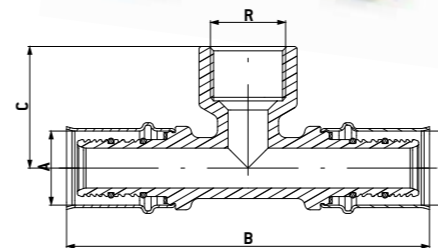
PACKAGING:

	16x16	20x16	20x20	26x20	26x26
CODE	44031616	44032016	44032020	44032620	44032626
PIECES PER BAG	10	10	10	10	5
PIECES PER CARTON	200	150	120	100	100

4432...

FEMALE TEE FITTING

HOME GAS PRESS FITTINGS
FOR PEX-AL-PEX PIPES



DIMENSIONS:

- **Female** tee press fitting for gas
- Maximum operating pressure: MOP 0,5 BAR
- Thread: UNI EN 10226-1 (ex ISO 7/1)
- Temperature range: min. -20 °C - max +70 °C
- Manufactured according to UNI/TS11344

A	R	B	C
16	1/2"	97	33,5
20	1/2"	100	33,5
20	3/4"	100	35
26	3/4"	104	40

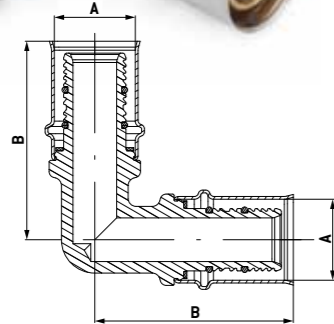
PACKAGING:

	16-1/2"	20-1/2"	20-3/4"	26-3/4"
CODE	4432165416	4432205420	4432205620	4432265626
PIECES PER BAG	10	10	5	5
PIECES PER CARTON	100	80	50	50

4451...

EQUAL ELBOW FITTING

HOMEGAS PRESS FITTINGS FOR PEX-AL-PEX PIPES



- **Equal** elbow press fitting for gas
- Maximum operating pressure: MOP 0,5 BAR
- Temperature range: min. -20 °C - max +70 °C
- Manufactured according to UNI/TS11344

DIMENSIONS:

A	B
16	47
20	50
26	52

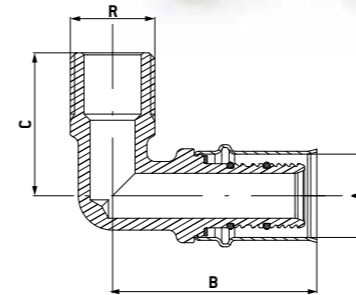
PACKAGING:

	16	20	26
CODE	44511616	44512020	44512626
PIECES PER BAG	10	10	5
PIECES PER CARTON	150	100	60

4453...

MALE ELBOW FITTING

HOMEGAS PRESS FITTINGS FOR PEX-AL-PEX PIPES



- **Male** elbow press fitting for gas
- Maximum operating pressure: MOP 0,5 BAR
- Thread: UNI EN 10226-1 (ex ISO 7/1)
- Temperature range: min. -20 °C - max +70 °C
- Manufactured according to UNI/TS11344

DIMENSIONS:

A	R	B	C
16	1/2"	49	35
20	1/2"	50	35
20	3/4"	50	35
26	3/4"	52	43

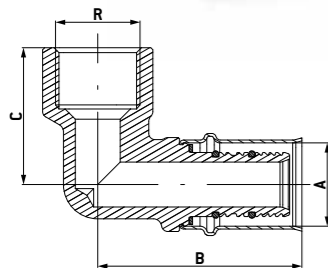
PACKAGING:

	16-1/2"	20-1/2"	20-3/4"	26-3/4"
CODE	44531604	44532004	44532006	44532606
PIECES PER BAG	10	10	10	10
PIECES PER CARTON	200	150	100	80

4452...

FEMALE ELBOW FITTING

HOMEGAS PRESS FITTINGS FOR PEX-AL-PEX PIPES



- **Female** elbow press fitting for gas
- Maximum operating pressure: MOP 0,5 BAR
- Thread: UNI EN 10226-1 (ex ISO 7/1)
- Temperature range: min. -20 °C - max +70 °C
- Manufactured according to UNI/TS11344

DIMENSIONS:

A	R	B	C
16	1/2"	49	34
20	1/2"	50	34
20	3/4"	50	35
26	3/4"	52	40

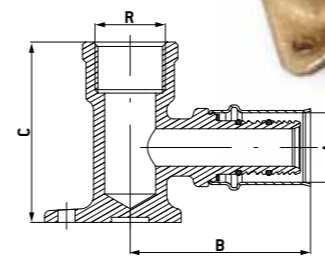
PACKAGING:

	16-1/2"	20-1/2"	20-3/4"	26-3/4"
CODE	44521654	44522054	44522056	44522656
PIECES PER BAG	10	10	10	5
PIECES PER CARTON	150	120	100	80

4454...

FEMALE ELBOW FITTING

HOMEGAS PRESS FITTINGS FOR PEX-AL-PEX PIPES



- **Female** flanged elbow press fitting for gas
- Maximum operating pressure: MOP 0,5 BAR
- Thread: UNI EN 10226-1 (ex ISO 7/1)
- Temperature range: min. -20 °C - max +70 °C
- Manufactured according to UNI/TS11344

DIMENSIONS:

A	R	B	C
16	1/2"	53	53
20	1/2"	53	53

PACKAGING:

	16-1/2"	20-1/2"
CODE	44541604	44542004
PIECES PER BAG	10	10
PIECES PER CARTON	80	60

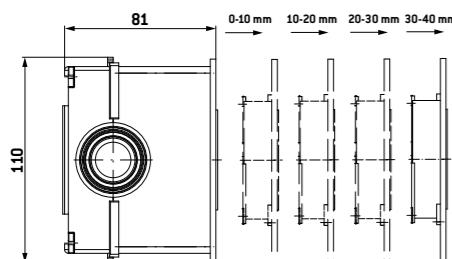
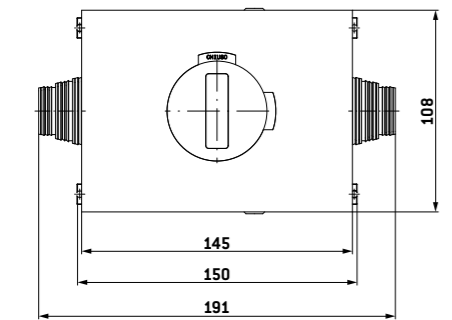
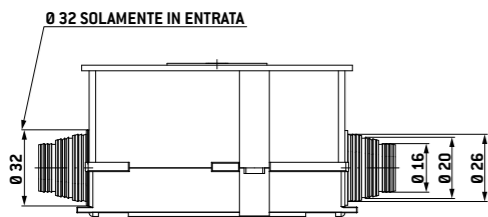
7941...

HOME GAS BUILT-IN BOX

HOME GAS PRESS FITTINGS
FOR PEX-AL-PEX PIPES

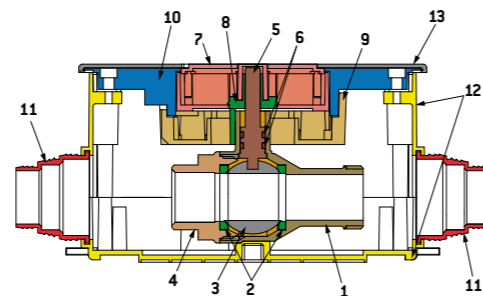


PAT. PENDING



- Built-in box for gas ball valve 1 outlet
- M/M 3/4" ball valve
- Thread male: ISO 228
- Pressure class: 0,5 bar (500 Mbar)
- Temperature range: min. -20 °C - max +70 °C

Bonomi **HOME GAS** can be installed in units with a single nominal heat input not greater than 35 kW.
The box can be inspected by removing the outer plate.
The top of the box is completely removable from the wall, and it is completely replaceable without damaging the tile surface.
DN20 full bore valve for a flow satisfying the needs.
The control of the valve's opening and closing state by the end user is visual, immediate, and infallible.
Innovative design according to modern canons, which require a non-invasive impact of plant equipments. Double safety in opening for a complete peace especially when children are present.
The shape of the maneuver organ not protruding from the wall doesn't attract attention, also shooting in the opening of security makes the task even more complicated, especially for a child.
Possibility to adjust the height of the control knob from 0-10mm kit without repair kit, from 10-40mm with a repair kit.
The repair kit is included in the box, it is not necessary to add additional costs in the event of incorrect installation.
Easy to install.



COMPONENTS:

POSN.	PART NAME	No. Pcs.	MATERIAL
1	Body	1	CW617N UNI-EN 12165
2	Seal	2	PTFE
3	Ball	1	CW617N UNI-EN 12165 Chrome-plated
4	End connection	1	CW617N UNI-EN 12165
5	Stem	1	CW617N UNI-EN 12164
6	O-ring	2	VITON®
7	Knob	1	ABS chrome-plated
8	Extension	1	Polystyrene
9	Safety stop	1	Polystyrene
10	Frame	1	Polystyrene
11	Hose connection	2	Polystyrene
12	Box	1	Polystyrene
13	Chrome plate	1	ABS chrome-plated

PACKAGING:

CODE	3/4"
79410000	
PIECES PER BOX	1
PIECES PER CARTON	-

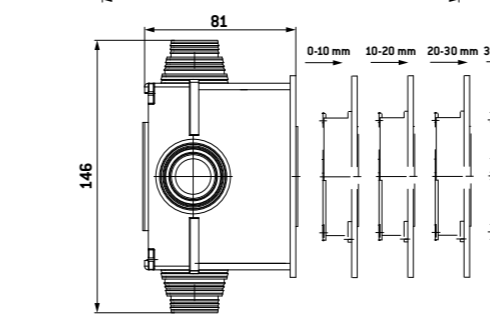
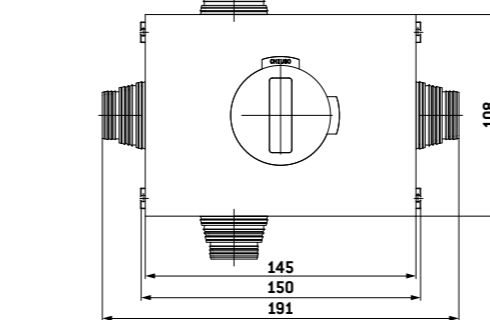
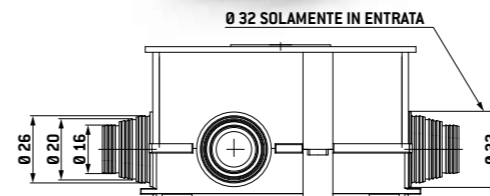
7940...

HOME GAS BUILT-IN BOX

HOME GAS PRESS FITTINGS
FOR PEX-AL-PEX PIPES

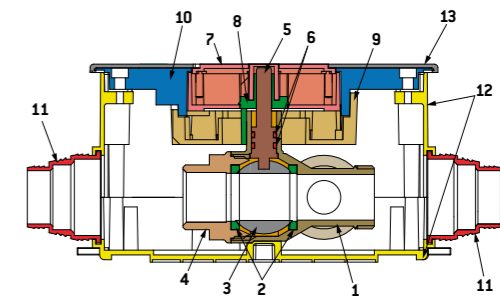


PAT. PENDING



- Built-in box for gas ball valve 3 outlets
- M/M 3/4" ball valve
- Thread male: ISO 228
- Pressure class: 0,5 bar (500 Mbar)
- Temperature range: min. -20 °C - max +70 °C

Bonomi **HOME GAS** can be installed in units with a single nominal heat input not greater than 35 kW.
The box can be inspected by removing the outer plate.
The top of the box is completely removable from the wall, and it is completely replaceable without damaging the tile surface.
DN20 full bore valve for a flow satisfying the needs.
The control of the valve's opening and closing state by the end user is visual, immediate, and infallible.
Innovative design according to modern canons, which require a non-invasive impact of plant equipments. Double safety in opening for a complete peace especially when children are present.
The shape of the maneuver organ not protruding from the wall doesn't attract attention, also shooting in the opening of security makes the task even more complicated, especially for a child.
Possibility to adjust the height of the control knob from 0-10mm kit without repair kit, from 10-40mm with a repair kit.
The repair kit is included in the box, it is not necessary to add additional costs in the event of incorrect installation.
Easy to install.



COMPONENTS:

POSN.	PART NAME	No. Pcs.	MATERIAL
1	Body	1	CW617N UNI-EN 12165
2	Seal	2	PTFE
3	Ball	1	CW617N UNI-EN 12165 Chrome-plated
4	End connection	1	CW617N UNI-EN 12165
5	Stem	1	CW617N UNI-EN 12164
6	O-ring	2	VITON®
7	Knob	1	ABS chrome-plated
8	Extension	1	Polystyrene
9	Safety stop	1	Polystyrene
10	Frame	1	Polystyrene
11	Hose connection	2	Polystyrene
12	Box	1	Polystyrene
13	Chrome plate	1	ABS chrome-plated

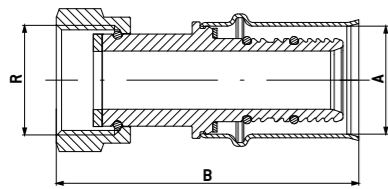
PACKAGING:

CODE	3/4"
79400000	
PIECES PER BOX	1
PIECES PER CARTON	-

4406...

STRAIGHT FITTINGS

HOMEGAS PRESS FITTINGS FOR PEX-AL-PEX PIPES



- Straight press fitting with **swivel nut** for gas
- Maximum operating pressure: MOP 0,5 BAR
- Thread: ISO 228
- Temperature range: min. -20 °C - max +70 °C
- Manufactured according to UNI/TS11344

DIMENSIONS:

A	R	B
16	3/4"	56
20	3/4"	56
26	3/4"	60

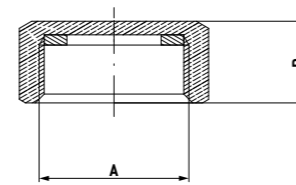
PACKAGING:

	16	20	26
CODE	44061606	44062006	44062606
PIECES PER BAG	10	10	10
PIECES PER CARTON	200	120	100

7948...

FEMALE CAP

HOMEGAS PRESS FITTINGS FOR PEX-AL-PEX PIPES



- Female cap with seal for gas

DIMENSIONS:

A	B
3/4"	12

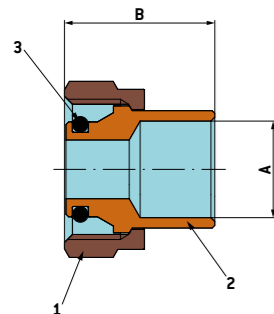
DIMENSIONS:

MIS. A	3/4"
ACCESSORY CODE	79480006

7949...

WELDING CONNECTION

HOMEGAS PRESS FITTINGS FOR PEX-AL-PEX PIPES



- **Welding connection** for gas
- Maximum operating pressure: MOP 0,5 BAR
- Thread: ISO 228
- Temperature range: min. -20 °C - max +70 °C

COMPONENTS:

POSN.	PART NAME	No. Pcs.	MATERIAL
1	Nut	1	CW617N UNI-EN 12165
2	Fitting	1	CW617N UNI-EN 12164
3	O-ring	1	HNBR

DIMENSIONS:

A	B
12	26
14	26
16	26
18	26

PACKAGING:

	12	14	16	18
CODE	79491206	79491406	79491606	79491806
PIECES PER BAG	5	5	5	5
PIECES PER CARTON				

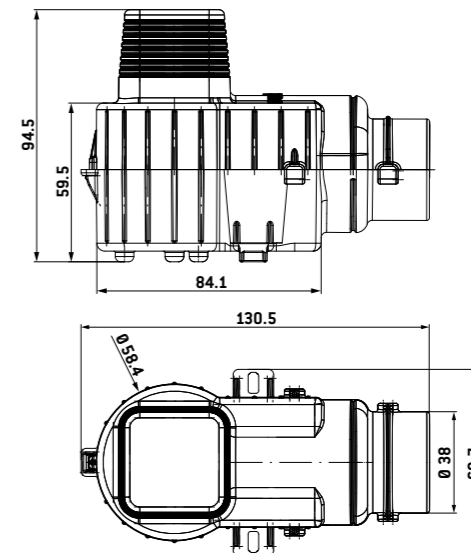
79420000G...

JUNCTION BOX

HOMEGAS PRESS FITTINGS FOR PEX-AL-PEX PIPES



- Junction box for flanged elbow press fittings for gas



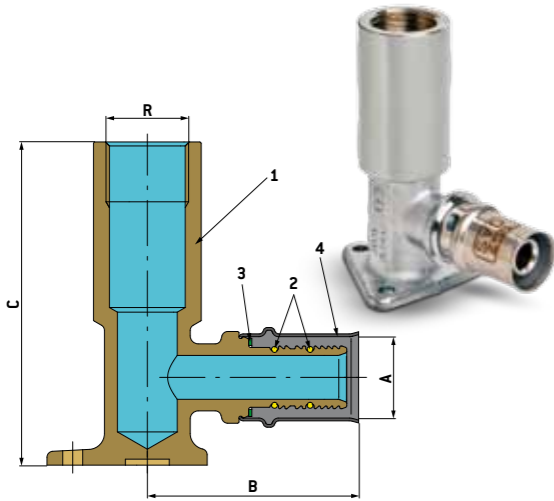
DIMENSIONS:

ACCESSORY CODE	79420000G
----------------	------------------

7942...

FEMALE ELBOW FITTINGS

HOMEGAS PRESS FITTINGS
FOR PEX-AL-PEX PIPES



- Female flanged elbow press fitting for gas
- Chrome plated
- Maximum operating pressure: MOP 0,5 BAR
- Thread: UNI EN 10226-1 [ex ISO 7/1]
- Temperature range: min. -20 °C - max +70 °C
- Manufactured according to UNI/TS11344

COMPONENTS:

POSN.	PART NAME	No. Pcs.	MATERIAL
1	Fitting	1	CW617N UNI EN 12165 Nickel-plated
2	O-Ring	2	NBR UNI EN 682/06 - DVGW EN 549
3	Washer	1	PTFE
4	Bushing	1	AISI 304 stainless steel "gas marked"

DIMENSIONS:

A	R	C	B
16	1/2"	81	53
20	1/2"	81	53

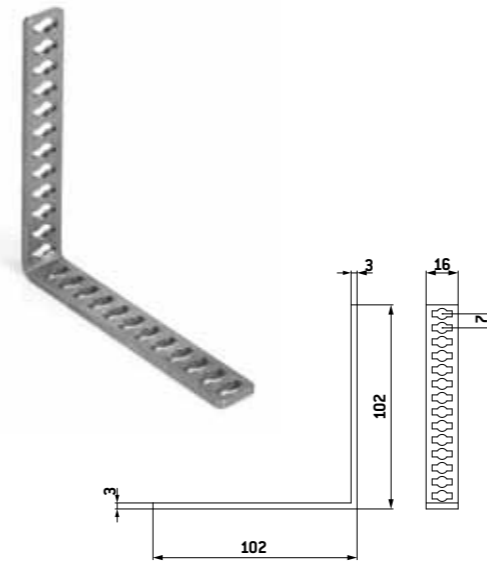
PACKAGING:

	16	20
CODE	79421604	79422004
PIECES PER BAG	5	5
PIECES PER CARTON		

79390000XA...

ANGLE BRACKET

HOMEGAS PRESS FITTINGS
FOR PEX-AL-PEX PIPES



- Iron zinc plated angle bracket with screw for Homegas box

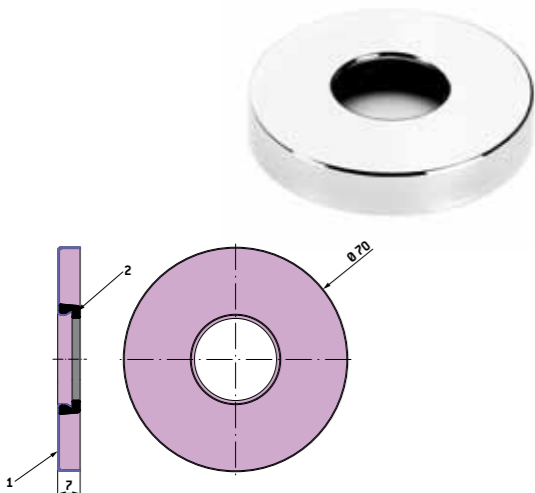
DIMENSIONS:

ACCESSORY CODE	79390000XA
----------------	------------

79420004XA...

ROSETTE WITH SEAL

HOMEGAS PRESS FITTINGS
FOR PEX-AL-PEX PIPES



- Rosette with seal for junction box for gas

COMPONENTS:

POSN.	PART NAME	No. Pcs.	MATERIAL
1	Rosette	1	Chromed brass
2	Seal	1	NBR

PACKAGING:

CODE	79420004XA
PIECES PER BAG	-
PIECES PER CARTON	5

MOUNTING INSTRUCTIONS IDROPRESS CONNECTORS FROM Ø 16 mm to Ø 32 mm



1 Cut perpendicularly the pipe with shears art.3812 **avoiding** to misshape it.



2 Gauge carefully the end of the pipe using the apposite calibrator-countersink art. 3813.



3 **Verify** the correct flare and **eliminate** the materials residues, those could **damage** the sealing O-Rings.



4 Insert the nut and the olive into the external pipe, **make sure** that the connector enter to the pipe till to touch the dielectrical washer. **Avoid to use damaged fittings.**



5 Screw the union nut.



6 Tighten the nut with the key that fits properly, according to the torque specified below.



7 Pipe perfectly assembled to the connector.



IMPORTANT: the sealing O-Rings have **NOT** to be lubricated

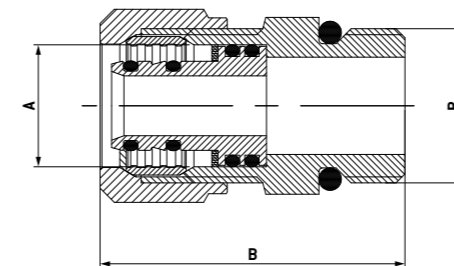
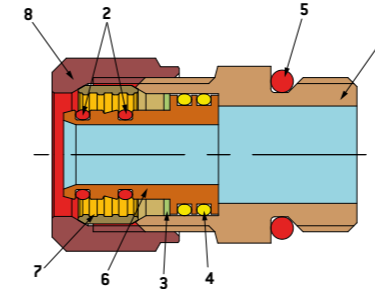
RECOMMENDED TORQUE:

	CONNECTION Ø 16	CONNECTION Ø 18	CONNECTION Ø 20	CONNECTION Ø 26	CONNECTION Ø 32
Nm	30	40	55	65	80

3891...

MALE STRAIGHT FITTING

COMPRESSION FITTINGS FOR PEX-AL-PEX PIPES



- **Male** straight compression fitting with O-Ring
- Maximum operating pressure: 10 bar
- Thread: ISO 228
- Temperature range: 0 - 95°C

This fitting is particularly indicated for distributing generally non-corrosive fluids that are compatible with the materials of the fitting. Excellent fields of application are in plant engineering for plumbing and heating, and industry, especially for use in high- and low-temperature heating, air-conditioning and climate control systems, and in drinking water installations. Seal is provided by two EPDM Perox O-rings, which are ideal for use with water and glycol solutions max 50%. The fitting is secured externally with a pipe clip to guarantee a perfect joint and excellent resistance to external stress.

COMPONENTS:

POSN.	PART NAME	No. Pcs.	MATERIAL
1	Fitting	1	CW617N UNI EN 12164 Nickel-plated
2	O-Ring	2	EPDM Perox
3	Washer	1	PTFE
4	O-Ring	2	EPDM Perox
5	O-Ring [16x3]	1	EPDM Perox
6	Hose-end	1	CW617N UNI EN 12164
7	Olive	1	CW617N UNI EN 12164
8	Nut	1	CW617N UNI EN 12165 Nickel-plated

DIMENSIONS:

A	R	B
16x2	1/2"	41

PIPE'S DIAMETER AND THICKNESS:

Ø	Thickness
16	2

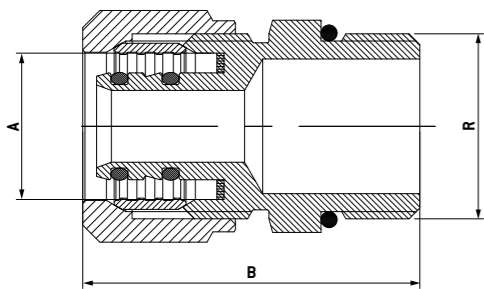
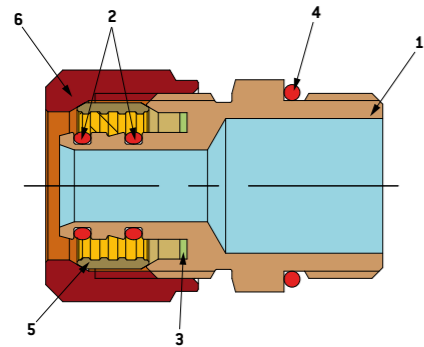
PACKAGING:

	1/2"x16
CODE	38911604
PIECES PER BAG	10
PIECES PER CARTON	250

3892...

MALE STRAIGHT FITTING

COMPRESSION FITTINGS
FOR PEX-AL-PEX PIPES



PIPE'S DIAMETER AND THICKNESS:

Ø	Thickness
16	2
20	2

PACKAGING:

	1/2"x16	1/2"x20
CODE	38921604	38922004
PIECES PER BAG	10	10
PIECES PER CARTON	250	150

- Male straight compression fitting with O-Ring
- Maximum operating pressure: 10 bar
- Thread: ISO 228
- Temperature range: 0 - 95°C

COMPONENTS:

POSN.	PART NAME	No. Pcs.	MATERIAL
1	Fitting	1	CW617N UNI EN 12164 Nickel-plated
2	O-Ring	2	EPDM Perox
3	Washer	1	PTFE
4	O-Ring (18,77x1,78)	2	EPDM Perox
5	Olive	1	CW617N UNI EN 12164
6	Nut	1	CW617N UNI EN 12165 Nickel-plated

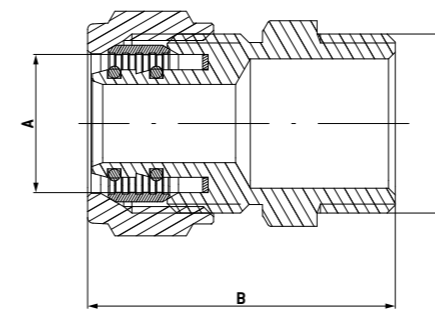
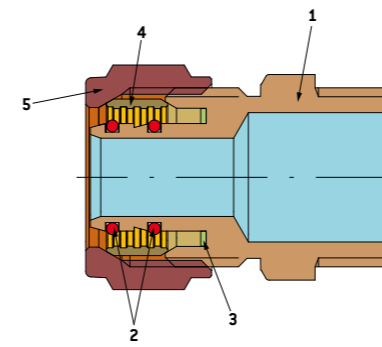
DIMENSIONS:

A	R	B
16	1/2"	38
20	1/2"	41

3901...

MALE STRAIGHT FITTING

COMPRESSION FITTINGS
FOR PEX-AL-PEX PIPES



PIPE'S DIAMETER AND THICKNESS:

Ø	Thickness
14	2
16	2
18	2
20	2
26	3
32	3

PACKAGING:

	3/8"x14	1/2"x14	3/8"x16	1/2"x16	3/4"x16	1/2"x18	3/4"x18	1/2"x20	3/4"x20	3/4"x26	1"x26	1"x32
CODE	39011403	39011404	39011603	39011604	39011606	39011804	39011806	39012004	39012006	39012606	39012608	39013208
PIECES PER BAG	10	10	10	10	10	10	10	10	10	5	5	5
PIECES PER CARTON	300	250	250	250	200	200	150	150	150	100	100	50

- Male straight compression fitting
- Maximum operating pressure: 10 bar
- Thread: ISO 228
- Temperature range: 0 - 95°C

This fitting is particularly indicated for distributing generally non-corrosive fluids that are compatible with the materials of the fitting. Excellent fields of application are in plant engineering for plumbing and heating, and industry, especially for use in high- and low-temperature heating, air-conditioning and climate control systems, and in drinking water installations.

Seal is provided by two EPDM Perox O-rings, which are ideal for use with water and glycol solutions max 50%.

The fitting is secured externally with a pipe clip to guarantee a perfect joint and excellent resistance to external stress.

COMPONENTS:

POSN.	PART NAME	No. Pcs.	MATERIAL
1	Fitting	1	CW617N UNI EN 12165 (hot pressed) Nickel-plated CW617N UNI EN 12164 (from bar) Nickel-plated
2	O-Ring	2	EPDM Perox
3	Washer	1	PTFE
4	Olive	1	CW617N UNI EN 12164
5	Nut	1	CW617N UNI EN 12165 Nickel-plated

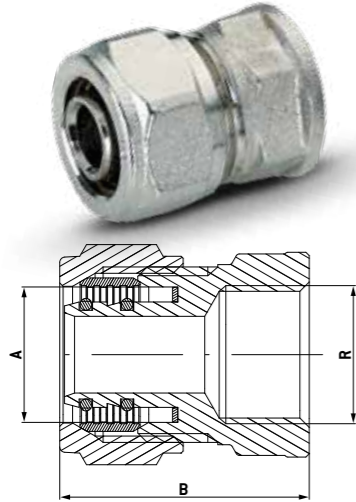
DIMENSIONS:

A	R	B
14	3/8"	36
14	1/2"	36
16	3/8"	36
16	1/2"	37
16	3/4"	40
18	1/2"	38
18	3/4"	41
20	1/2"	41
20	3/4"	43
26	3/4"	50
26	1"	53
32	1"	58

3902...

FEMALE STRAIGHT FITTING

COMPRESSION FITTINGS FOR PEX-AL-PEX PIPES



- **Female** straight compression fitting
- Maximum operating pressure: 10 bar
- Thread: ISO 228
- Temperature range: 0 - 95°C

DIMENSIONS:

A	R	B
14	3/8"	35
14	1/2"	37
14	3/4"	37
16	3/8"	35
16	1/2"	37
16	3/4"	37
18	1/2"	36
18	3/4"	37
20	1/2"	38
20	3/4"	40
26	3/4"	42
26	1"	46
32	1"	50

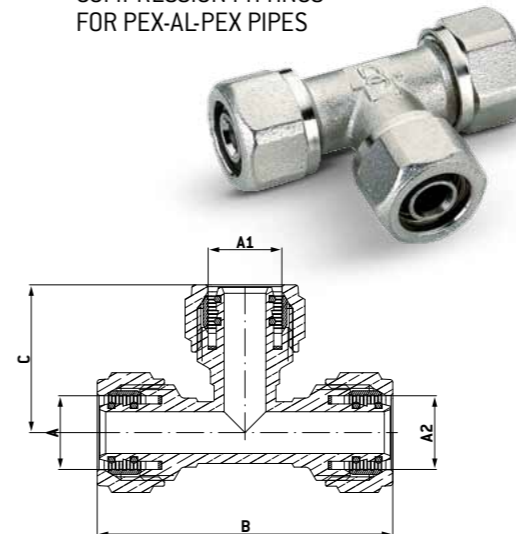
PACKAGING:

	3/8"x14	1/2"x14	3/4"x14	3/8"x16	1/2"x16	3/4"x16	1/2"x18	3/4"x18	1/2"x20	3/4"x20	3/4"x26	1"x26	1"x32
CODE	39021403	39021404	39021406	39021603	39021604	39021606	39021804	39021806	39022004	39022006	39022606	39022608	39023208
PIECES PER BAG	10	10	10	10	10	10	10	10	10	10	5	5	5
PIECES PER CARTON	300	250	200	250	200	180	200	150	150	150	100	80	50

3931...

EQUAL TEE FITTING

COMPRESSION FITTINGS FOR PEX-AL-PEX PIPES



DIMENSIONS:

A	A1	A2	B	C
14	14	14	67	34
16	16	16	67	34
18	16	18	76	37
18	18	18	76	39
20	16	16	77	34
20	16	20	81	38
20	18	20	81	39
20	20	16	77	41
20	20	20	81	41
26	20	20	88	43
26	20	26	93	43
26	26	20	88	47
26	26	26	93	47
32	32	32	112	56

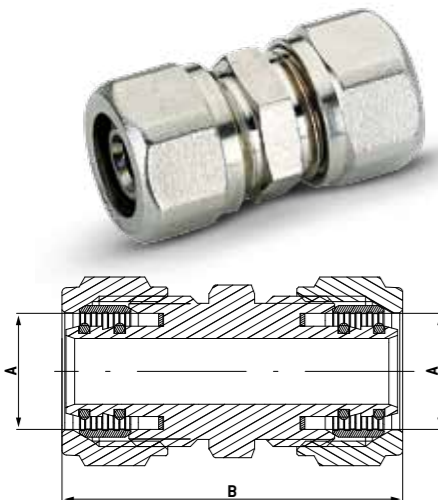
PACKAGING:

	14x14x14	16x16x16	18x16x18	18x18x18	20x16x16	20x16x20	20x18x20	20x20x16	20x20x20	26x20x20	26x20x26	26x26x20	26x26x26	32x32x32
CODE	3931141414	3931161616	3931181618	3931181818	3931201616	3931201620	3931201820	3931202016	3931202020	3931262020	3931262026	3931262620	3931262626	3931323232
PIECES PER BAG	10	10	5	5	5	5	5	5	5	5	5	5	5	5
PIECES PER CARTON	100	100	70	70	70	70	70	70	50	40	40	40	40	40

3903...

INTERMEDIATE STRAIGHT FITTINGS

COMPRESSION FITTINGS FOR PEX-AL-PEX PIPES



- **Intermediate** straight compression fitting
- Maximum operating pressure: 10 bar
- Temperature range: 0 - 95°C

DIMENSIONS:

A	B
14	46
16	46
18	46
20	52
26	62
32	75

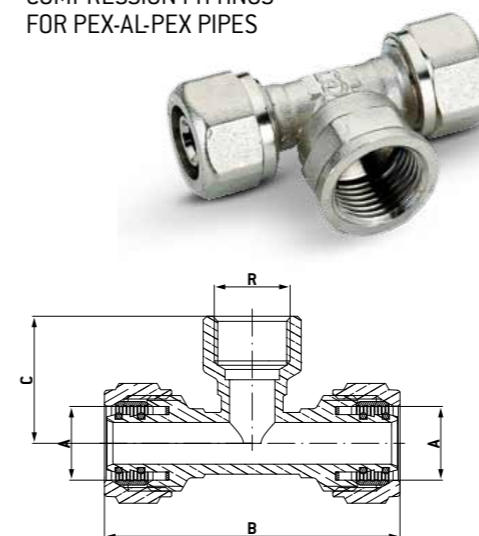
PACKAGING:

	14x14	16x16	18x18	20x20	26x26	32x32
CODE	39031414	39031616	39031818	39032020	39032626	39033232
PIECES PER BAG	10	10	10	10	5	5
PIECES PER CARTON	200	200	150	120	70	30

3932...

FEMALE TEE FITTING

COMPRESSION FITTINGS FOR PEX-AL-PEX PIPES



DIMENSIONS:

A	R	B	C
14	1/2"	67	28
16	1/2"	67	28
18	1/2"	76	35
18	3/4"	76	31
20	1/2"	81,5	35
20	3/4"	80,5	31
26	3/4"	93	40
26	1"	93	43
32	3/4"	112	45
32	1"	112	44

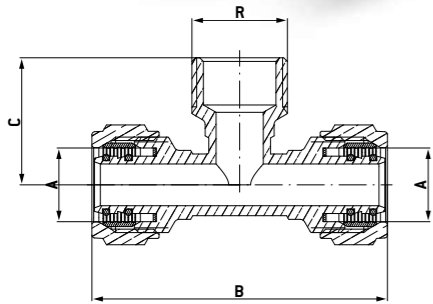
PACKAGING:

	1/2"x14	1/2"x16	1/2"x18	3/4"x18	1/2"x20	3/4"x20	3/4"x26	1"x26	3/4"x32	1"x32
CODE	3932140414	3932160416	3932180418	3932180618	3932200420	3932200620	3932260626	3932260826	3932320632	3932320832
PIECES PER BAG	10	10	10	5	10	5	5	5	5	5
PIECES PER CARTON	100	100	80	70	80	70	40	40	20	20

3933...

MALE TEE FITTING

COMPRESSION FITTINGS FOR PEX-AL-PEX PIPES



- Male tee compression fitting
- Maximum operating pressure: 10 bar
- Thread: ISO 228
- Temperature range: 0 - 95°C

DIMENSIONS:

A	R	B	C
14	1/2"	67	27
16	1/2"	67	28
18	1/2"	76	30
18	3/4"	76	35
20	1/2"	81	31
20	3/4"	81	35
26	3/4"	93	38
26	1"	92,5	41
32	1"	112	47

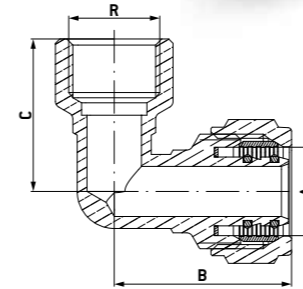
PACKAGING:

	1/2"x14	1/2"x16	1/2"x18	3/4"x18	1/2"x20	3/4"x20	3/4"x26	1"x26	1"x32
CODE	3933140414	3933160416	3933180418	3933180618	3933200420	3933200620	3933260626	3933260826	3933320832
PIECES PER BAG	10	10	10	5	10	5	5	5	5
PIECES PER CARTON	100	100	80	70	80	70	40	40	20

3952...

FEMALE ELBOW FITTING

COMPRESSION FITTINGS FOR PEX-AL-PEX PIPES



- Female elbow compression fitting
- Maximum operating pressure: 10 bar
- Thread: ISO 228
- Temperature range: 0 - 95°C

DIMENSIONS:

A	R	B	C
14	1/2"	35	28
14	3/4"	38	32
16	1/2"	35	28
16	3/4"	38	32
18	1/2"	37	28
18	3/4"	39	32
20	1/2"	39	28
20	3/4"	41	32
26	3/4"	47	41
26	1"	47	43
32	1"	56	45

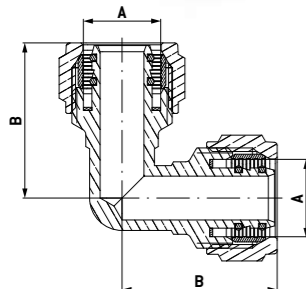
PACKAGING:

	1/2"x14	3/4"x14	1/2"x16	3/4"x16	1/2"x18	3/4"x18	1/2"x20	3/4"x20	3/4"x26	1"x26	1"x32
CODE	39521404	39521406	39521604	39521606	39521804	39521806	39522004	39522006	39522606	39522608	39523208
PIECES PER BAG	10	10	10	10	10	10	10	10	5	5	5
PIECES PER CARTON	160	120	160	120	140	120	140	100	70	60	30

3951...

EQUAL ELBOW FITTING

COMPRESSION FITTINGS FOR PEX-AL-PEX PIPES



- Equal elbow compression fitting
- Maximum operating pressure: 10 bar
- Temperature range: 0 - 95°C

DIMENSIONS:

A	B
14	34
16	34
18	39
20	41
26	47
32	56

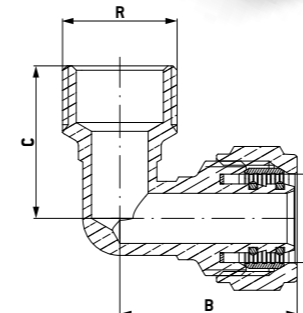
PACKAGING:

	14x14	16x16	18x18	20x20	26x26	32x32
CODE	39511414	39511616	39511818	39512020	39512626	39513232
PIECES PER BAG	10	10	10	10	5	5
PIECES PER CARTON	160	160	100	100	50	30

3953...

MALE ELBOW FITTING

COMPRESSION FITTINGS FOR PEX-AL-PEX PIPES



- Male elbow compression fitting
- Maximum operating pressure: 10 bar
- Thread: ISO 228
- Temperature range: 0 - 95°C

DIMENSIONS:

A	R	B	C
14	1/2"	35	28
14	3/4"	35	28
16	1/2"	35	28
16	3/4"	35	34
18	1/2"	38	39
18	3/4"	39	35
20	1/2"	41	29
20	3/4"	41	35
26	3/4"	47	38
26	1"	47	41
32	1"	56	47

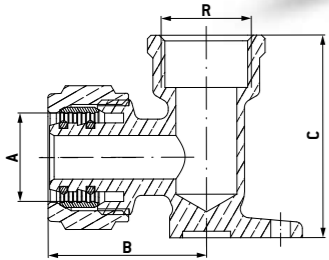
PACKAGING:

	1/2"x14	3/4"x14	1/2"x16	3/4"x16	1/2"x18	3/4"x18	1/2"x20	3/4"x20	3/4"x26	1"x26	1"x32
CODE	39531404	39531406	39531604	39531606	39531804	39531806	39532004	39532006	39532606	39532608	39533208
PIECES PER BAG	10	10	10	10	10	10	10	10	5	5	5
PIECES PER CARTON	200	120	200	120	140	120	140	120	80	70	30

3954...

FEMALE ELBOW FITTING

COMPRESSION FITTINGS FOR PEX-AL-PEX PIPES



- **Female** flanged elbow compression fitting
- Maximum operating pressure: 10 bar
- Thread: ISO 228
- Temperature range: 0 - 95°C

DIMENSIONS:

A	R	B	C
14	1/2"	35	44
16	1/2"	35	44
16	3/4"	38	50
18	1/2"	37	47
18	3/4"	39	50
20	1/2"	39	47
20	3/4"	41	50

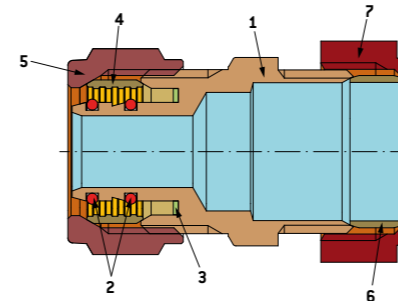
PACKAGING:

	1/2"x14	1/2"x16	3/4"x16	1/2"x18	3/4"x18	1/2"x20	3/4"x20
CODE	39541404	39541604	39541606	39541804	39541806	39542004	39542006
PIECES PER BAG	10	10	5	10	5	10	5
PIECES PER CARTON	100	100	70	80	70	80	70

3907..

INTERMEDIATE STRAIGHT FITTING

COMPRESSION FITTINGS FOR PEX-AL-PEX PIPES



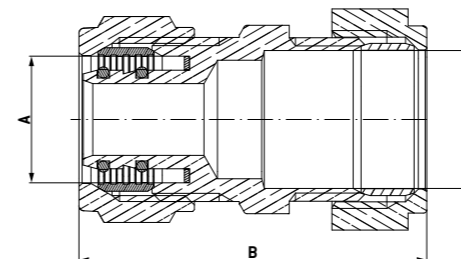
- **Intermediate** straight compression fitting with compression end
- Maximum operating pressure: 10 bar
- Temperature range: 0 - 95°C

COMPONENTS:

POSN.	PART NAME	No. Pcs.	MATERIAL
1	Fitting	1	CW617N UNI EN 12164 Nickel-plated (from bar) CW617N UNI EN 12165 Nickel-plated (hot pressed)
2	O-Ring	2	EPDM Perox
3	Washer	1	PTFE
4	Olive	1	CW617N UNI-EN 12164
5	Nut	1	CW617N UNI EN 12165 Nickel-plated
6	Olive	1	CW508L
7	Nut	1	CW617N UNI EN 12165 Nickel-plated

DIMENSIONS:

A Pex-Al-Pex	A1 Tu-Cu	B
16	15	46
20	22	56
26	22	60



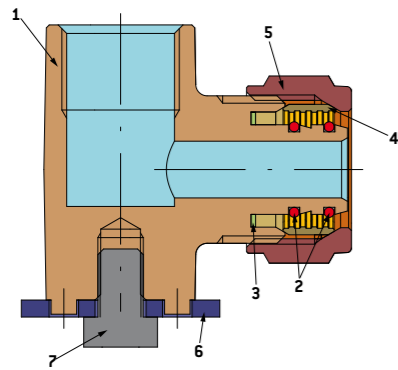
PACKAGING:

	16xTu-Cu 15	20xTu-Cu 22	26xTuCu 22
CODE	39071666	39072069	39072669
PIECES PER BAG	10	10	5
PIECES PER CARTON	200	100	50

3904...

PIPE CLIP FITTING

COMPRESSION FITTINGS
FOR PEX-AL-PEX PIPES



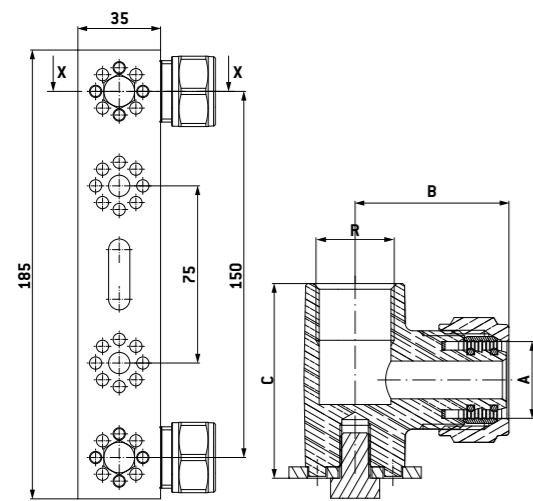
- Fitting for compression pipe clip
- Maximum operating pressure: 10 bar
- Thread: ISO 228
- Temperature range: 0 - 95°C

COMPONENTS:

POSN.	PART NAME	No. Pcs.	MATERIAL
1	Fitting	2	CW617N UNI EN 12165 Nickel-plated
2	O-Ring	4	EPDM Perox
3	Washer	2	PTFE
4	Olive	2	CW617N UNI EN 12164
5	Nut	2	CW617N UNI EN 12165 Nickel-plated
6	Spacer pipe clip	1	Galvanized iron
7	Vite	2	Galvanized iron

DIMENSIONS:

A	R	B	C
16	1/2"	40	51



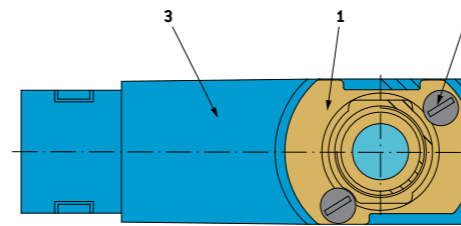
PACKAGING:

CODE	1/2"x16
39041604	
PIECES PER BOX	25
PIECES PER CARTON	25

9640...

DHW FITTING

COMPRESSION FITTINGS
FOR PEX-AL-PEX PIPES



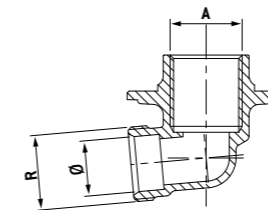
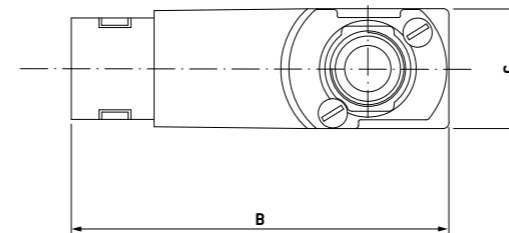
- Extractable DHW fitting, 1/2" F, M22x1.5
- Maximum operating pressure: 10 bar
- Thread: female ISO 228 and male M22x1.5
- Temperature range: 0 - 95°C

COMPONENTS:

POSN.	PART NAME	No. Pcs.	MATERIAL
1	Fitting	1	CW617N UNI EN 12165
2	Screw	2	Galvanized iron
3	Box	1	Plastic

DIMENSIONS:

A	R	Ø	B	C
1/2"	M22x1,5	16	101	35



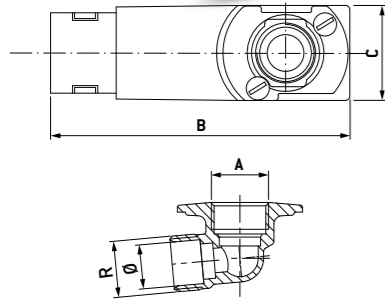
PACKAGING:

CODE	1/2"
96400004	
PIECES PER BOX	1
PIECES PER CARTON	50

9641...

DHW FITTING

COMPRESSION FITTINGS
FOR PEX-AL-PEX PIPES



- Extractable DHW fitting, 1/2" F, M22x1.5
- Maximum operating pressure: 10 bar
- Thread: female ISO 228 and male M22x1.5
- Temperature range: 0 - 95°C

DIMENSIONS:

A	R	Ø	B	C
1/2"	M22x1,5	16	101	35

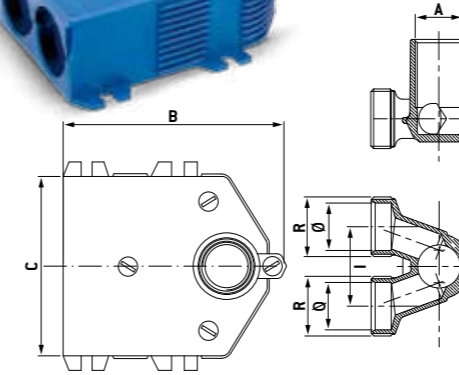
PACKAGING:

	1/2"
CODE	96410004
PIECES PER BOX	1
PIECES PER CARTON	50

9642...

EXTRACTABLE DUAL FITTING

COMPRESSION FITTINGS
FOR PEX-AL-PEX PIPES



- Extractable fitting, 1/2" F x 3/4" M
- Maximum operating pressure: 10 bar
- Thread: ISO 228
- Temperature range: 0 - 95°C

DIMENSIONS:

A	R	Ø	B	C	I
1/2"	3/4"	20	125	75,5	35

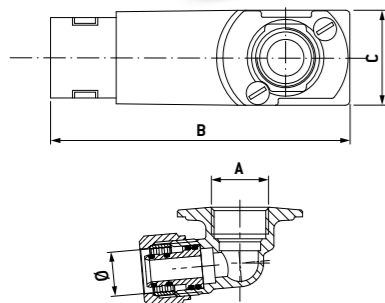
PACKAGING:

	1/2"
CODE	96420004
PIECES PER BOX	1
PIECES PER CARTON	32

9645...

DHW FITTING

COMPRESSION FITTINGS
FOR PEX-AL-PEX PIPES



- Extractable DHW fitting, 1/2" F - 16x2
- Maximum operating pressure: 10 bar
- Thread: ISO 228
- Temperature range: 0 - 95°C

DIMENSIONS:

A	Ø	B	C
1/2"	16	101	35

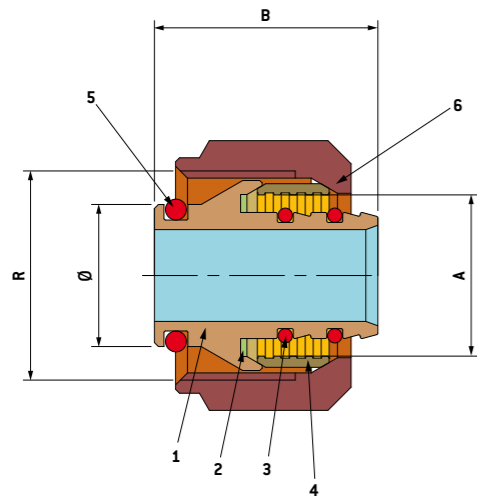
PACKAGING:

	1/2"
CODE	96450004
PIECES PER BOX	1
PIECES PER CARTON	50

3980...

PIPE ADAPTOR

COMPRESSION FITTINGS
FOR PEX-AL-PEX PIPES



- Pex-Al-Pex pipe adaptor
- Maximum operating pressure: 10 bar
- Temperature range: 0 - 95°C

COMPONENTS:

POSN.	PART NAME	No. Pcs.	MATERIAL
1	Hose-end pipe	1	CW617N UNI EN 12164
2	Washer	1	PTFE
3	O-Ring	2	EPDM Perox
4	Olive	1	CW617N UNI EN 12164
5	O-Ring	1	EPDM Perox
6	Nut	1	CW617N UNI EN 12165 Nickel-plated

DIMENSIONS:

A	R	Ø	B
14	1/2"	16	24
14	24x19	18	23
16	1/2"	16	25
16	24x19	18	24
16	3/4"	18	25
18	24x19	18	26
18	3/4"	18	26
20	24x19	18	26
20	3/4"	18	28

PIPE'S DIAMETER AND THICKNESS:

Ø	Thickness
14	2
16	2
18	2
20	2

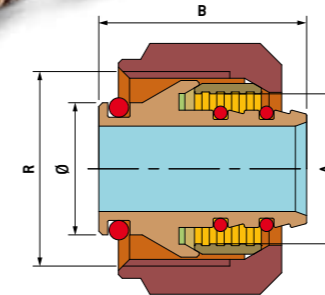
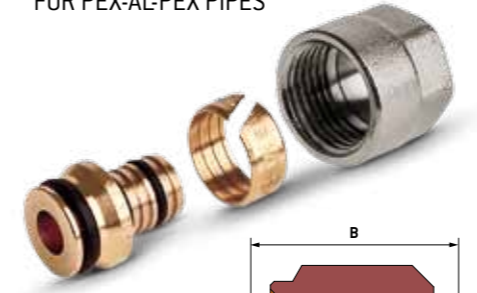
PACKAGING:

	14-1/2"	14-24x19	16-1/2"	16-24x19	16-3/4"	18-24x19	18-3/4"	20-24x19	20-3/4"
ACCESSORY CODE	39801404	39801405	39801604	39801605	39801606	39801805	39801806	39802005	39802006
PIECES PER BAG	10	10	10	10	10	50	10	10	10
PIECES PER CARTON	250	250	250	250	250	400	250	250	250

3981...

EXTRA-THICK TUBE ADAPTOR

COMPRESSION FITTINGS
FOR PEX-AL-PEX PIPES



- Extra-thick pipe adaptor Ø 16x2,5
- Maximum operating pressure: 10 bar
- Temperature range: 0 - 95°C

DIMENSIONS:

A	R	Ø	B
16x2,25	1/2"	18,5	24
16x2,25	24x19	18,5	25

PACKAGING:

	16x2,25-1/2"	16x2,25-24x19
ACCESSORY CODE	39811604	39811605
PIECES PER BAG	10	10
PIECES PER CARTON	250	250

3810...

ELECTRIC CRIMPING MACHINE

- Electric crimping machine-pressing tongs 16-20-26



PACKAGING:

CODE	38100000
PIECES PER BOX	1
PIECES PER CARTON	1

3811...

PRESSING TONGS TH



- Pressing tongs TH

PACKAGING:

	Ø 14	Ø 16	Ø 18	Ø 20	Ø 26	Ø 32	Ø 40	Ø 50	Ø 63
CODE	38110014	38110016	38110018	38110020	38110026	38110032	38110040	38110050	38110063
PIECES PER BOX	1	1	1	1	1	1	1	1	1
PIECES PER CARTON	10	10	10	10	10	10	10	10	10

3812...

CUTTER FOR PIPE



- Cutter for pipe
- Code 38121040 for pipe from 10 to 40 mm
- Code 38121063 for pipe from 10 to 63 mm

PACKAGING:

	10-40	10-63
CODE	38121040	38121063
PIECES PER BOX	1	1
PIECES PER CARTON	10	10

3813...

DEBURRING/CALIBRATING TOOL



- Deburring/calibrating tool for pipe
- Code 38131420 tube from 14 to 20 mm
- Code 38132040 tube from 20 to 40 mm
- Code 38134063 tube from 40 to 63 mm

PACKAGING/PRICE:

	Ø 14-20	Ø 20-40	Ø 40-63
PRICE	38131420	38132040	38134063
PIECES PER BOX	-	-	-
PIECES PER CARTON	50	30	20

38130000...

PIPE PLUG GAUGE



- Universal pipe plug gauge

PACKAGING/PRICE:

	Ø 14-32
CODE	38130000
PIECES PER BOX	5
PIECES PER CARTON	100

3814...

INTERNAL SPRING



- Internal bending spring

PACKAGING/PRICE:

	Ø 16	Ø 18	Ø 20	Ø 26
CODE	38140016	38140018	38140020	38140026
PIECES PER BOX	1	1	1	1
PIECES PER CARTON	10	10	10	5

ALPHANUMERICAL INDEX

Code	Page
1000	76
1010	74
1020	77
1030	75
1300	130
1305	131
1905	80
1920	79
2000	140
2010	141
2030	142
2100	135
2101	134
2121	132
2131	133
2470	110
2475	111
2490	112
2700	143
3000	139
3001	138
3010	137
3011	136
3290	64
3295	67
3300	65
3325	66
3570	100
3619	126
3620	125
3621	126
3625	122
3626	122
3627	123
3630	124
3631	125
3635	123
3636	124
3650	127
3651	127
3660	191
3661	192
3671	193
3700	102
3712	101
3727	153
3729	148
37290001	149
37290004XD	150
37290008	149
37290604XA	151
37290604XB	151
3730	150
3735	153

Code	Page
3736	157
3737	158
3738	157
3740	156
3742	158
3745	152
37450000WA	155
37500003	113
3751	154
3752	159
3753	164
3754	164
3760	92
3800	198
3810	253
3811	254
3812	254
3813	255
38130000	255
3814	255
3891	239
3892	240
3901	241
3902	242
3903	242
3904	248
3907	247
3931	243
3932	243
3933	244
3940	86
3951	244
3952	245
3953	245
3954	246
3960	84
3970	85
3980	163
3980	252
3981	253
3992	190
4001	201
4002	202
4003	203
4004	210
4005	211
4006	212
4007	214
4008	215
4009	202
4031	204
4032	205
4033	206
4050	209

Code	Page
4051	206
4052	207
4053	207
4054	208
4055	209
4056	213
4058	208
4060	118
4080	119
4401	227
4402	228
4403	228
4406	234
4431	229
4432	229
4451	230
4452	230
4453	231
4454	231
4480	225
4481	225
4501	219
4502	219
4503	220
4531	220
4532	221
4551	221
4552	222
4553	222
4554	223
4600	215
5230	70
5240	69
5601	178
5601E	184
5602	179
5602E	185
5603	181
5603E	187
5604	182
5604E	188
5605	179
5605E	185
5606	180
5606E	186
5607	182
5607E	188
5608	183
5608E	189
5609	172
5609E	174
5611	173
5611E	175
56130001	176

Code	Page
56130002	176
5615	180
5615E	186
5617	183
5617E	189
700020	72
700021	73
7050	78
7300	96
7320	98
7350	97
7380	99
7480	58
7480XC	107
7485	59
7490	56
7495	57
7500XC	108
7520	60
7520XC	106
7530	61
7535	62
7550XC	109
7560	63
7600	27
760001	28
7602	28
7605	30
760501	30
7607	31
76080008B	32
76080008R	31
7611	29
7615	33
7617	34
7620	34
7645	32
7647	33
7650	35
7650B	35
7660B	37
7660R	36
7667	115
7670	114
7671	115
7700	40
7710	41
7720	41
7730	42
7735	43
7736	44
7737	44
7738	45
7739	45

Code	Page
775000	39
775002	38
7756	83
7759	82
77620000B	161
77620000R	160
77630004B	162
77630004R	161
7775	99
7830	116
7831	117
7850	98
7855	97
7930	15
7935	15
79390000XA	237
7940	233
7941	232
7942	236
79420000G	235
79420004XA	236
7948	235
7949	234
7950	12
7950A	13
7951	19
7951 from 2.1/2" to 4"	20
795101	21
795101 from 2.1/2" to 4"	21
7952	13
7953	22
7954	24
7955	14
795501	14
7956	24
7957	23
795701	23
795702	22
7960	25
7964	26
7966	26
7970	18
7990	16
8000	218
8000	91
8002	218
8002	91
8005	217
8005	90
9610	166
9611	167
9612	167
9616	168
9619	168

Code	Page
9620	165
9640	249
9641	250
9642	251
9645	250
9660	216
9698	165

CERTIFICATO ◆ CERTIFICADO ◆ CERTIFIKAT ◆ 認 証 証 書 ◆ CERTIFICATE ◆ ZERTIFIKAT



CERTIFICATO

Nr 50 100 3809 - Rev. 02

Si attesta che / This is to certify that

IL SISTEMA QUALITÀ DI
THE QUALITY SYSTEM OF

IDROSANITARIA BONOMI S.p.A.

SEDE LEGALE E OPERATIVA: VIA MONSUELLO 36 P.O.B. 7
I-25065 LUMEZZANE (BS)

ASSEMBLAGGIO E LOGISTICA: VIA VALGOBBIA 70
I-25068 SAREZZO (BS)

È CONFORME AI REQUISITI DELLA NORMA
HAS BEEN FOUND TO COMPLY WITH THE REQUIREMENTS OF

UNI EN ISO 9001:2008

Riferirsi al manuale della qualità per eventuali dettagli delle esclusioni
ai requisiti della norma ISO 9001:2008
Refer to quality manual for possible details of exclusions of requirements
of the norm ISO 9001:2008

Questo certificato è valido per il seguente campo di applicazione
This certificate is valid for the following product or service range

**Progettazione e fabbricazione di componenti per sistemi
idrotermosanitari in leghe di rame. Commercializzazione di
componenti per sistemi idrotermosanitari in leghe di rame (EA 17, 29a)**

**Design and manufacture of components of hydraulic pneumatic,
heating and sanitary systems in copper alloys. Trade of hydraulic,
pneumatic, heating and sanitary systems in copper alloys (EA 17, 29a)**

SINCERT

SGQ N° 048A
SGIA N° 018D
SCR N° 005P
SRI N° 005G
PRD N° 061B
Membro degli Accordi di Mutuo Riconoscimento EA e IAF
Signatory of EA and IAF Mutual Recognition Agreements

Per l'Organismo di Certificazione
For the Certification Body
TÜV Italia S.r.l.

Andrea Vivi
Andrea Vivi
Administratore Delegato - CEO

Data di emissione / Issue date
2010-02-10

Data di scadenza / Expiry date
2012-12-12

Rinnovo del certificato emesso per la prima volta in data 2003-12-30

"La validità del presente certificato è subordinata a sorveglianza periodica a 12 mesi e al riesame completo del sistema di gestione aziendale con periodicità triennale"

"The validity of the present certificate depends on the annual surveillance every 12 months and on the complete review of company's management system after three-years"

TÜV Italia • Gruppo TÜV SÜD • Via Carducci 125, Pal. 23 • 20099 Sesto San Giovanni (MI) • Italia • www.tuv.it TÜV®



ACS



COMMUNICATION OF ANOMALIES AND AUTHORIZATION TO REJECT

In accordance with our quality system, in order to manage the abovestated communications in an orderly and correct manner, we inform you that, as of date of receipt of this letter, all the claims you send will be examined only if they are written and they will have to contain the following reference data:

- PRODUCT'S TYPE
- INVOLVED QUANTITY
- DETAILED DESCRIPTION OF THE DECLARED ANOMALY
- REFERENCES TO THE TRANSPORT DOCUMENT / INVOICE
- WHERE INDICATED, THE NUMBER OF THE BATCH (marked on box)

The claimed goods have to be send back free of charges and well packed to IDROSANITARIA BONOMI SPA.

The refund or replacement of the claimed goods will be done only after verify of them done by our quality control dept.

If the manufacturing blemish will be ascertained the bookeeping dept. will provide for the credit or the replacement of the goods and the repayment of the expenses supported by the client.

GENERAL SALE'S CONDITIONS

Italian orders: minimum Euro 300,00, complete boxes

Export orders: minimum Euro 3.000,00, complete boxes

Characteristics, dimensions and weights indicate the standards of every item and can be subjected to variations without notice.

All the prices mentioned in this catalogue are in Euro.



IDROSANITARIA BONOMI S.p.A.
via monsuello, 36
25065 lumezzane s.s. bs // italy
T // +39 030 8922121
F // +39 030 8922151

www.idrosanitariabonomi.com
info@idrobonomi.com

