

Aqua
Ambient

**LINEAR, POINT
AND WALL BATHROOM
INLETS**



THE FUNCTIONALITY AND ELEGANCE OF AQUA AMBIENT BATHROOM INLETS WILL CHANGE THE LOOK OF YOUR BATHROOM

AQUA AMBIENT LINEAR, WALL AND POINT BATHROOM INLETS ARE ADVANCED DRAINAGE DEVICES. IDEAL FOR REPLACING CONVENTIONAL SOLUTIONS SUCH AS SHOWER BASES AND CLOSED SHOWER CABINS.

THEY ARE MANUFACTURED ACCORDING TO THE HIGHEST STANDARDS, FINISHED WITH AN ELEGANT STAINLESS STEEL GRATE, AND ARE A FUNCTIONAL AND CONVENIENT SOLUTION FOR ANY INTERIOR.

MODERN DESIGN IS OUR PASSION. THANKS TO WHICH ONE-OF-A-KIND, UNIQUE DESIGNS ARE CREATED WHICH MAKE YOUR BATHROOM DIFFERENT FROM ALL OTHERS.



Aqua
Ambient

* LINEAR BATHROOM
INLET WITH THE SPOT
GRATE

LINEAR BATHROOM INLETS



IN A WATERPROOFING FLANGE VERSION

* ALSO AVAILABLE IN A VERSION WITH AN ADDITIONAL WATERPROOFING FLANGE



THE PERFECTLY-SMOOTH SURFACE OF THE GRATE PROVIDES HIGH COMFORT OF USE

THE APPLICATION OF THE FLANGE ENSURES IMPERVIOUSNESS DUE TO EASY INSTALLATION, AND THE PROLONGED DURABILITY OF THE WATERPROOFING LAYER IN THE FLOOR

Made of stainless steel.

The functional, easily pulled-out syphon ensures easy cleaning and maintenance.

Standard lengths available: 600, 700, 800, 900 and 1000 mm.

Minimum installation height 81 mm.

Flow: 0.8 litres/s.



Capricorn Quality



NEW LINEAR INLETS CONSTRUCTION WITH A WIDER FLANGE GUARANTEEING BETTER HYDROISOLATION PROPERTIES

CHOOSE ONE OF THE ORIGINAL DESIGNS OF GRATES AND GRILLS

TYPES OF FINISH



ARCO



SPOT



ORIENT



CUBE



PLAIN



STONE

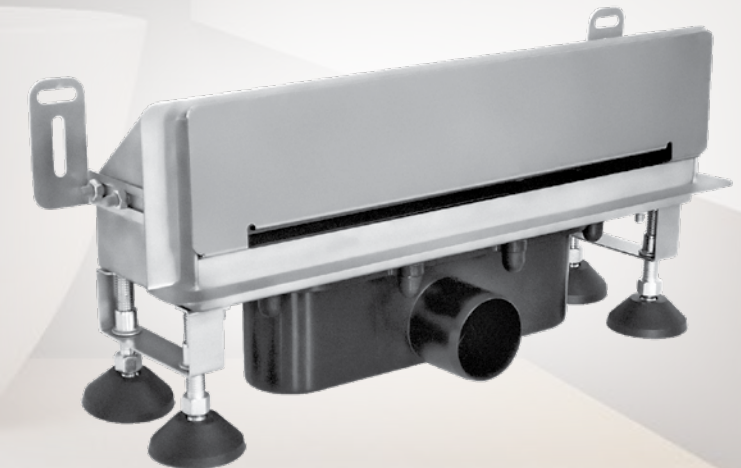
LENGTH [MM]	ARCO	SPOT	ORIENT	CUBE	PLAIN	STONE
600	9-2993-600-00-24-12	9-2992-600-00-24-12	9-2991-600-00-24-12	9-2994-600-00-24-12	9-2995-600-00-24-12	9-2965-600-00-24-12
700	9-2993-700-00-24-12	9-2992-700-00-24-12	9-2991-700-00-24-12	9-2994-700-00-24-12	9-2995-700-00-24-12	9-2965-700-00-24-12
800	9-2993-800-00-24-12	9-2992-800-00-24-12	9-2991-800-00-24-12	9-2994-800-00-24-12	9-2995-800-00-24-12	9-2965-800-00-24-12
900	9-2993-900-00-24-12	9-2992-900-00-24-12	9-2991-900-00-24-12	9-2994-900-00-24-12	9-2995-900-00-24-12	9-2965-900-00-24-12
1000	9-2993-000-00-24-12	9-2992-000-00-24-12	9-2991-000-00-24-12	9-2994-000-00-24-12	9-2995-000-00-24-12	9-2965-000-00-24-12



WALL BATHROOM INLETS

THE WALL BATHROOM INLETS LINE IS MADE TO THE HIGHEST STANDARDS, AND IS A MODERN AND FUNCTIONAL SOLUTION FOR EVERY BATHROOM.

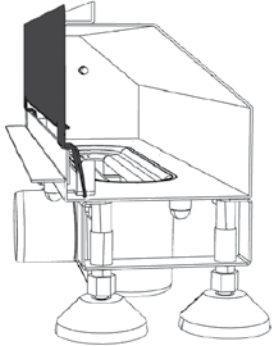
IT IS PERFECT FOR MINIMALISTIC INTERIORS. IT IS DESIGNED FOR ROOMS OF AN INCREASED STANDARD.



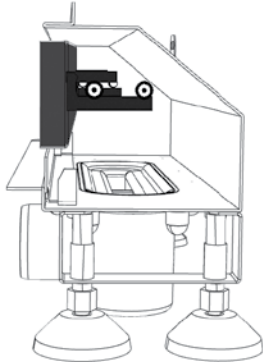
* WALL BATHROOM INLET
WITH A POLISHED COVER

WALL BATHROOM INLETS

IN A POLISHED-COVER VERSION



IN AN UNDER-TILE COVER



Aqua wall bathroom inlets are made of stainless steel. Full access to the syphon ensures easy cleaning and maintenance. Each solution provides an amazing aesthetic experience of a finished bathroom. Drain-flow capacity: 0.8 litres/s.

THE AQUA AMBIENT WALL BATHROOM INLET IS A NEW TREND OF WATER DRAINAGE

SPECIALLY DESIGNED FOR FILLING WITH TILES OR NATURAL STONES AND A POLISHED COVER VERSION GRATE ARE A FUNCTIONAL AND, AT THE SAME TIME, SUBTLE ELEMENT OF INTERIOR DESIGN.



* WALL BATHROOM INLET WITH AN UNDER TILE COVER



SUPER AND CLASSIC POINT BATHROOM INLETS

THANKS TO THEIR ADVANCED CONSTRUCTION AND STYLISH DESIGN, THEY ARE IDEAL FOR BATHROOMS, SWIMMING POOLS AND SPA FACILITIES.



* POINT BATHROOM INLETS
WITH THE ORIENT GRATE

CLASSIC POINT INLETS



Connection type:
side



Connection type:
side with a flange



Connection type:
straight



Connection type:
straight with a flange

SUPER POINT INLETS



Connection type:
flow



Connection type:
side

THE AQUA AMBIENT POINT BATHROOM INLET LINE IS CHARACTERISED BY MODERN DESIGN AND AT THE SAME TIME PROVIDES AN ELEGANT ALTERNATIVE TO CONVENTIONAL SHOWER CABINS.

Made of stainless steel - makes cleaning easier.
Universal - fit every interior type.
Designed for Ø 50-diameter pipes.
Minimum installation height: 116 mm.
Flow: 0.8 litres/s.

DESIGNED SPECIALLY FOR ROOMS WITH LIMITED FLOOR HEIGHT (WOODEN CEILINGS, ATTICS, ETC.)

The low body (60 mm) facilitates installation in low-floor rooms.

Designed for Ø 40 or Ø 50 diameter pipes.

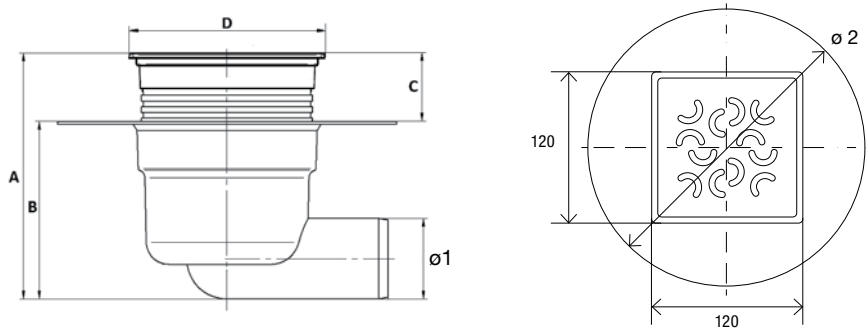
Minimum installation height: 63 mm.

Flow:
Ø 40 - 0.2 litres/s
Ø 50 - 0.4 litres/s



* POINT BATHROOM INLETS
WITH THE CUBE GRATE

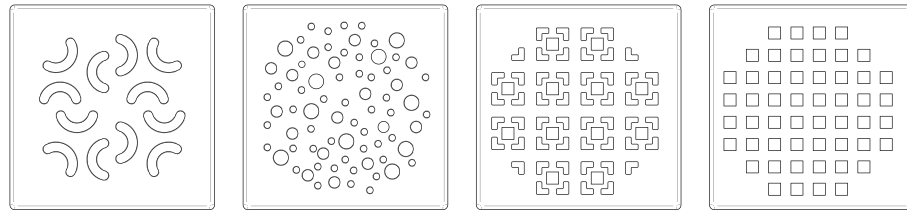
CLASSIC POINT INLETS



CONNECTION TYPE	DIMENSIONS [MM]					
	A	B	C	D	Ø1	Ø2
SIDE Ø50	120÷150	110	10÷30	120	50	-
SIDE WITH A FLANGE Ø50	120÷150	110	10÷30	120	50	210
STRAIGHT Ø50	146÷177	138	8÷31	120	50	-
STRAIGHT WITH A FLANGE Ø50	146÷177	140	6÷31	120	50	210

Material
 body: plastic
 grate: stainless steel
 Designed for Ø 50 diameter

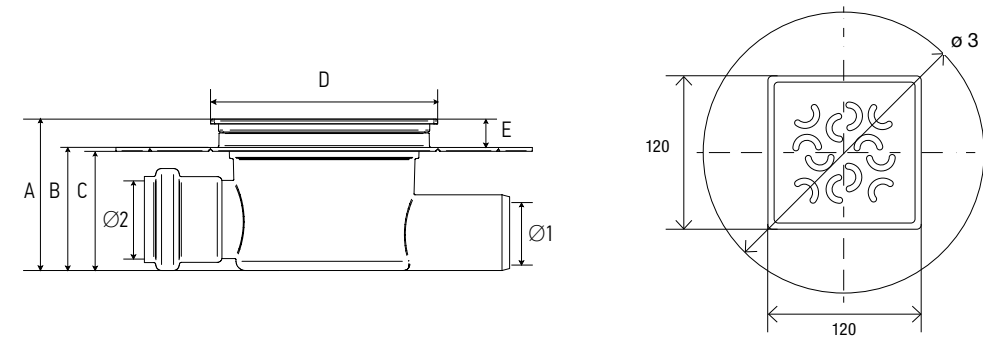
TYPES OF FINISH



ARCO SPOT ORIENT CUBE

	SIDE	SIDE WITH A FLANGE	STRAIGHT	STRAIGHT WITH A FLANGE
ARCO	9-2605-050-47-01-10	9-2625-050-47-01-10	9-2605-050-46-01-10	9-2625-050-46-01-10
SPOT	9-2604-050-47-01-10	9-2624-050-47-01-10	9-2604-050-46-01-10	9-2624-050-46-01-10
CUBE	9-2608-050-47-01-10	9-2628-050-47-01-10	9-2608-050-46-01-10	9-2628-050-46-01-10
ORIENT	9-2609-050-47-01-10	9-2629-050-47-01-10	9-2609-050-46-01-10	9-2629-050-46-01-10

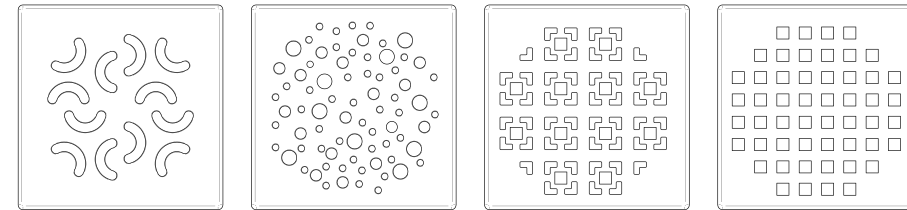
SUPER POINT INLETS



CONNECTION TYPE	DIMENSIONS [MM]							
	A	B	C	D	E	Ø1	Ø2	Ø3
SIDE Ø40	80÷105	65	63	120	15	40	-	220
SIDE Ø50	80÷105	65	63	120	15	50	-	220
FLOW Ø40	80÷105	65	63	120	15	40	40	220
FLOW Ø50	80÷105	65	63	120	15	50	50	220

Material
 body: plastic
 grate: stainless steel
 Designed for Ø 50 or Ø 40 diameter

TYPES OF FINISH



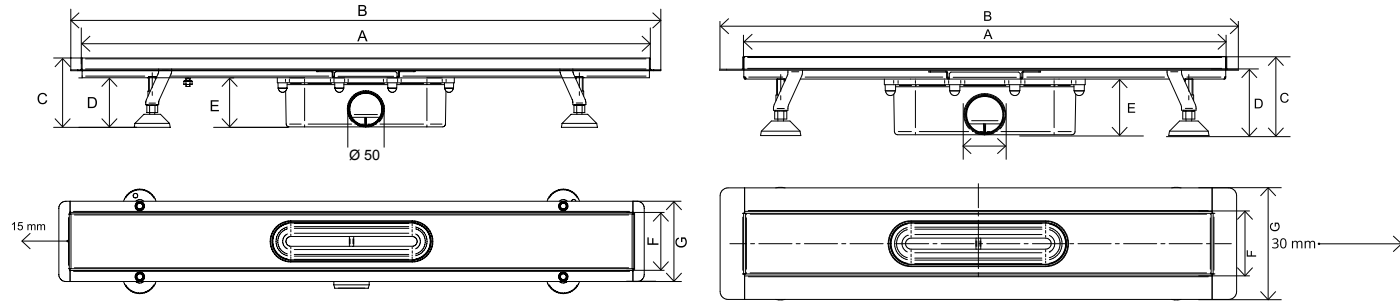
ARCO SPOT ORIENT CUBE

	SIDE Ø40	SIDE Ø50	FLOW Ø40	FLOW Ø50
ARCO	9-2631-040-47-01-10	9-2631-050-47-01-10	9-2631-040-48-01-10	9-2631-050-48-01-10
SPOT	9-2632-040-47-01-10	9-2632-050-47-01-10	9-2632-040-48-01-10	9-2632-050-48-01-10
CUBE	9-2633-040-47-01-10	9-2633-050-47-01-10	9-2633-040-48-01-10	9-2633-050-48-01-10
ORIENT	9-2634-040-47-01-10	9-2634-050-47-01-10	9-2634-040-48-01-10	9-2634-050-48-01-10

LINE INLETS

Material
body: stainless steel
siphon: ABS/PP

Flow
0,8 litres/s



LENGTH [MM]	Ø	DIMENSIONS [MM]						
		A	B	C	D	E	F	G
600	50	600	630	98+127	70+99	69	83	114
700	50	700	730	98+127	70+99	69	83	114
800	50	800	830	98+127	70+99	69	83	114
900	50	900	930	98+127	70+99	69	83	114
1000	50	1000	1030	98+127	70+99	69	83	114

LENGTH [MM]	Ø	DIMENSIONS [MM]						
		A	B	C	D	E	F	G
600	50	600	660	98+127	70+99	69	83	114
700	50	700	760	98+127	70+99	69	83	114
800	50	800	860	98+127	70+99	69	83	114
900	50	900	960	98+127	70+99	69	83	114
1000	50	1000	1060	98+127	70+99	69	83	114

PRODUCT CODE

LENGTH [MM]	STANDARD VERSION
600	9-2970-600-50-24-12
700	9-2970-700-50-24-12
800	9-2970-800-50-24-12
900	9-2970-900-50-24-12
1000	9-2970-000-50-24-12

LENGTH [MM]	WATERPROOFING FLANGE VERSION
600	9-2970-600-30-24-12
700	9-2970-700-30-24-12
800	9-2970-800-30-24-12
900	9-2970-900-30-24-12
1000	9-2970-000-30-24-12

LENGTH [MM]	WATERPROOFING FLANGE VERSION
600	9-2971-600-50-24-12
700	9-2971-700-50-24-12
800	9-2971-800-50-24-12
900	9-2971-900-50-24-12
1000	9-2971-000-50-24-12

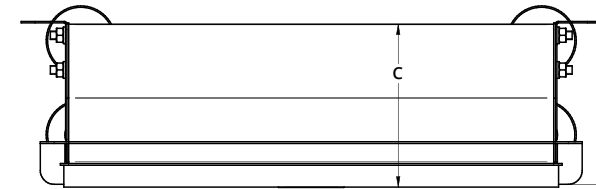
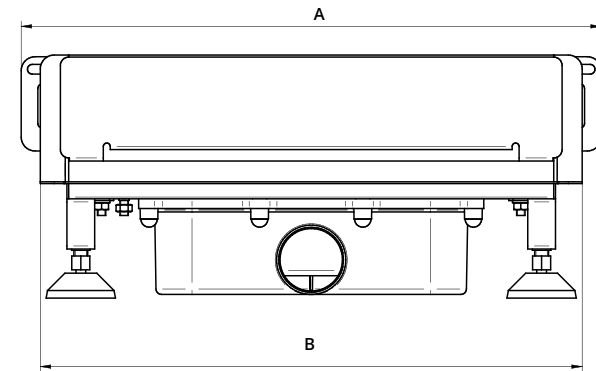
LENGTH [MM]	INLET 30MM WITH WATERPROOFING FLANGE
600	9-2971-600-30-24-12
700	9-2971-700-30-24-12
800	9-2971-800-30-24-12
900	9-2971-900-30-24-12
1000	9-2971-000-30-24-12

GRATE CODES

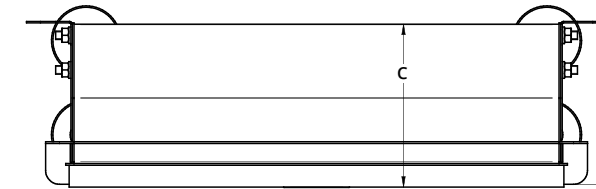
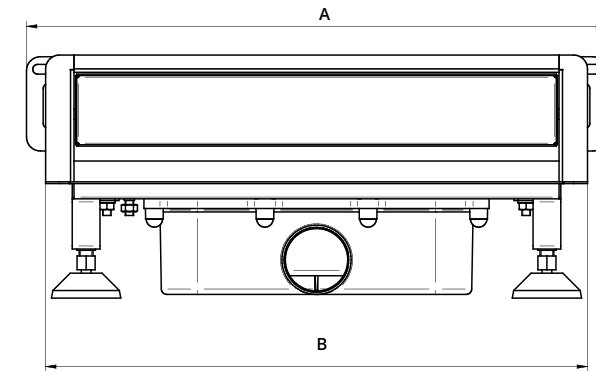
LENGTH [MM]	ARCO	SPOT	ORIENT	CUBE	PLAIN	STONE
600	9-2993-600-00-24-12	9-2992-600-00-24-12	9-2991-600-00-24-12	9-2994-600-00-24-12	9-2995-600-00-24-12	9-2965-600-00-24-12
700	9-2993-700-00-24-12	9-2992-700-00-24-12	9-2991-700-00-24-12	9-2994-700-00-24-12	9-2995-700-00-24-12	9-2965-700-00-24-12
800	9-2993-800-00-24-12	9-2992-800-00-24-12	9-2991-800-00-24-12	9-2994-800-00-24-12	9-2995-800-00-24-12	9-2965-800-00-24-12
900	9-2993-900-00-24-12	9-2992-900-00-24-12	9-2991-900-00-24-12	9-2994-900-00-24-12	9-2995-900-00-24-12	9-2965-900-00-24-12
1000	9-2993-000-00-24-12	9-2992-000-00-24-12	9-2991-000-00-24-12	9-2994-000-00-24-12	9-2995-000-00-24-12	9-2965-000-00-24-12

WALL INLETS

WITH A POLISHED COVER



WITH AN UNDER TILE COVER



Material
body: stainless steel
siphon: ABS/PP

Flow
0.8 litres/s

PRODUCT CODE

PRODUCT CODE	MODEL
9-2922-050-00-24-12	AQUA AMBIENT WALL BATHROOM INLET WITH A POLISHED COVER
9-2925-050-00-24-12	AQUA AMBIENT WALL BATHROOM INLET WITH AN UNDERTILE COVER

WALL INLET	DIMENSIONS (MM)			
	A	B	C	D
WITH A POLISHED COVER	418,5	391	118	116,5
WITH AN UNDER TILE COVER	418,5	391	118	116,5



Visit our website:



CAPRICORN S.A.
CIERNIE 11, 58-160 ŚWIEBODZICE

TEL.: +48 74 854 05 16
FAX: +48 71 722 28 18

zamowienia@capricorn.pl
www.capricorn.pl

