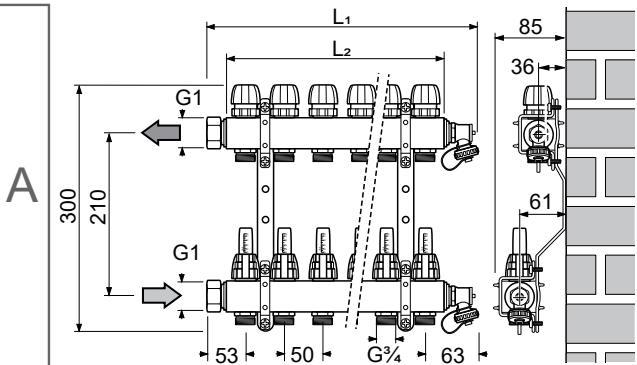
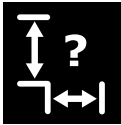
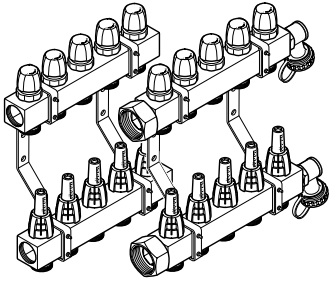
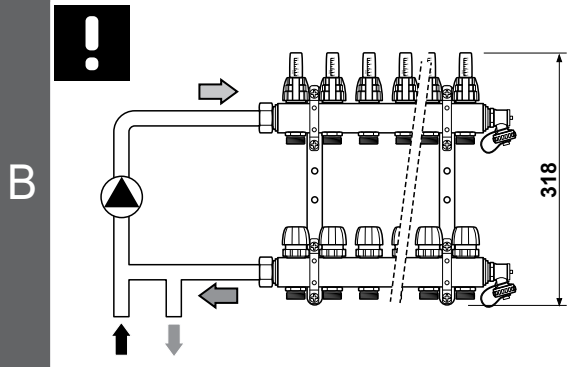


## Uponor Vario C manifold FM

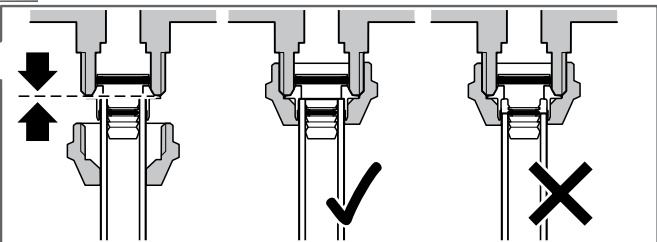
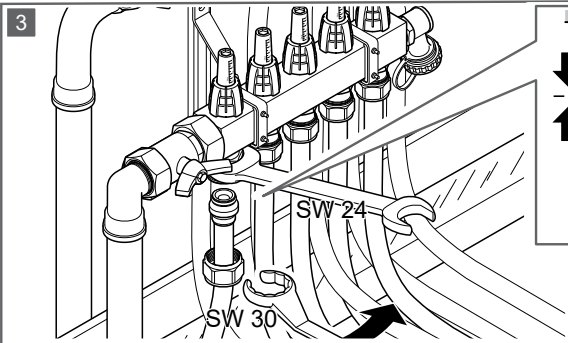
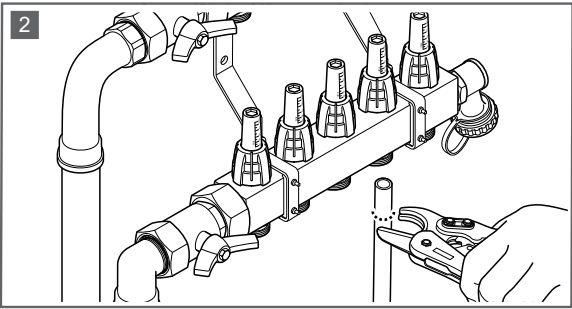
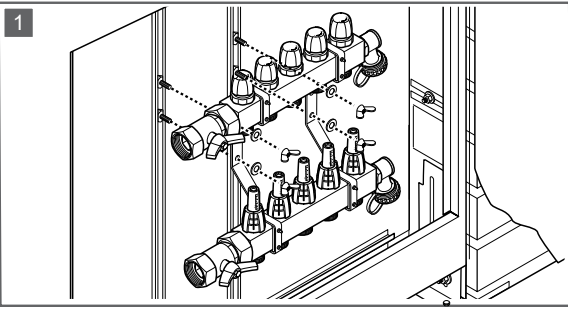


n	L <sub>1</sub> [mm]	L <sub>2</sub> [mm]	n	L <sub>1</sub> [mm]	L <sub>2</sub> [mm]
2	167	111	8	467	402
3	217	152	9	517	452
4	267	202	10	567	502
5	317	252	11	617	552
6	367	302	12	667	602
7	417	352			

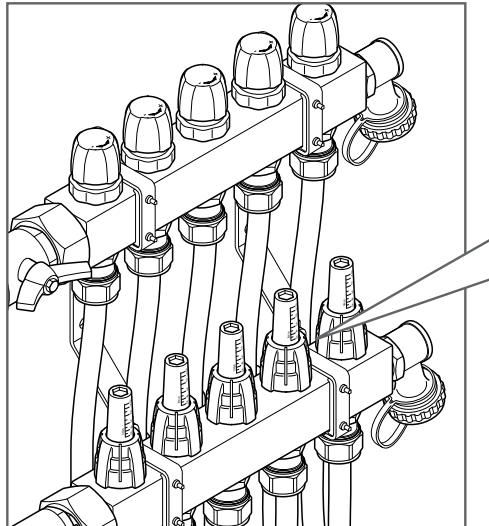
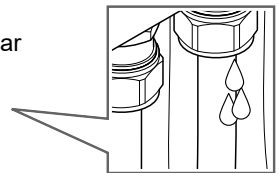
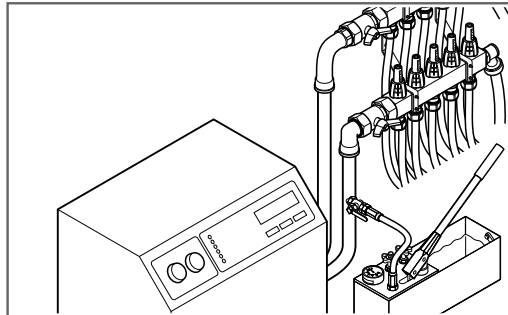
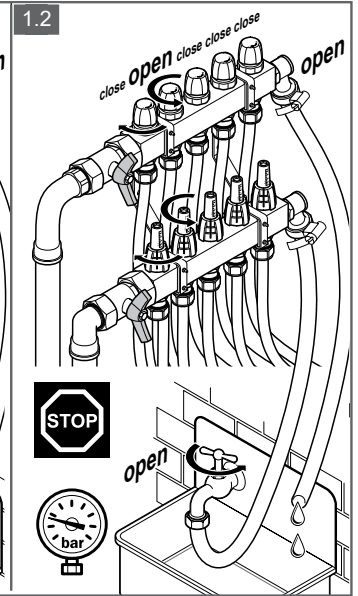
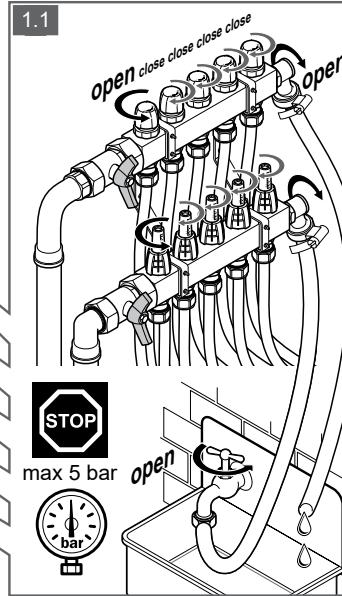
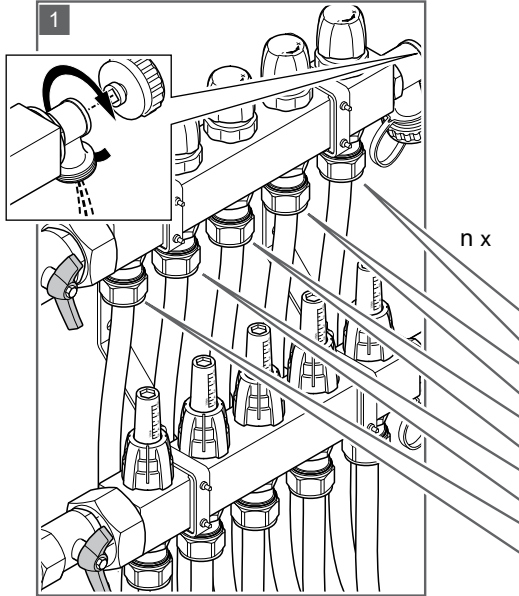


$\vartheta_{sec} = 15 - 60^{\circ}C$ 
 $P_{max} = 6 \text{ bar}$ 
 $P_{test} = 10 \text{ bar}$

$kvs = 0,93 \text{ m}^3/h$ 
 $\dot{V}_{max} = 3,6 \text{ m}^3/h$   
(12 loops)



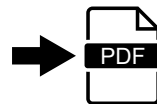
max. 25-30 Nm



1	1	2 l/m	0,5
1	2	5 l/m	3
2	3	2 l/m	0,5
3	4	4 l/m	4
4	5	<b>1,5 l/m</b>	2



Uponor Vario C



## Uponor GmbH

Industriestraße 56,  
D-97437 Hassfurt, Germany

1122087 v3\_06\_2022  
Production: Uponor / SDE\_FM

Uponor reserves the right to make changes, without prior notification, to the specification of incorporated components in line with its policy of continuous improvement and development.

