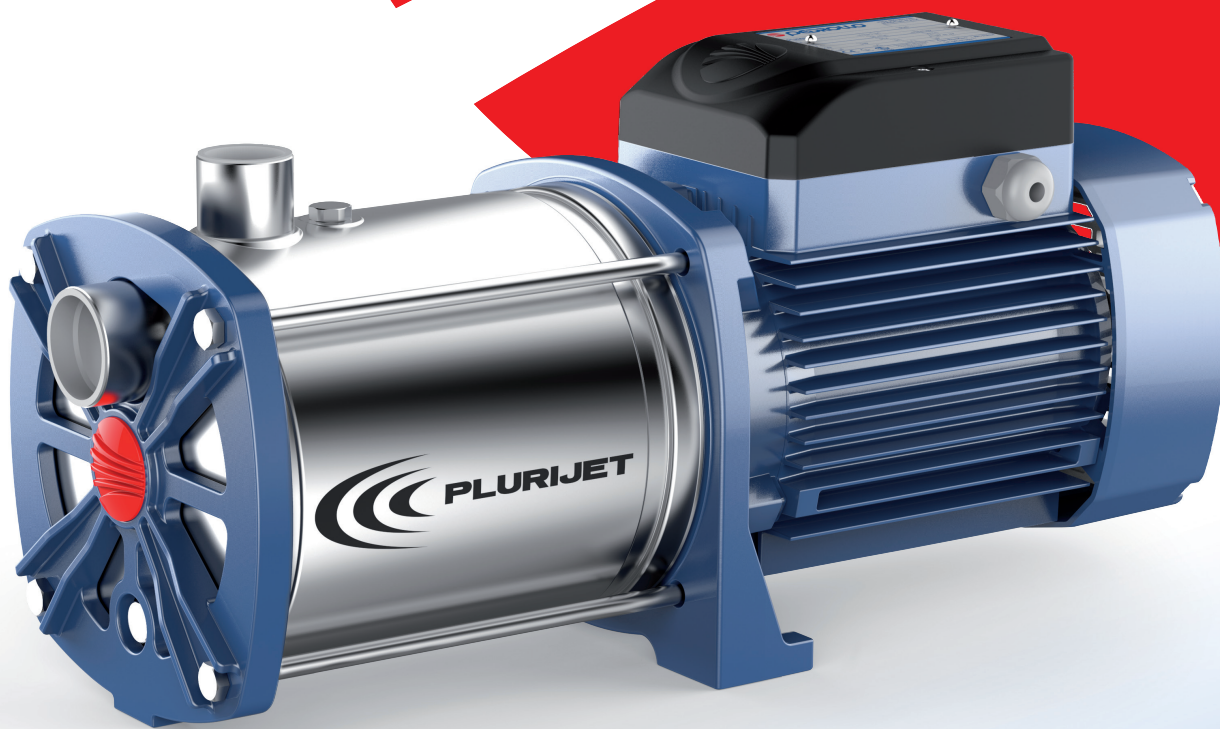


EN
NEW

PLURIJET®



 **PEDROLLO®**
... the spring of life



NEW

New more compact version for easier installation. It is highly recommended for silent and efficient self-priming water pump.

TECHNICAL CHARACTERISTICS

- ▶ Priming time reduced by 30%.
- ▶ Suction lift up to 9 meters
- ▶ Silent
- ▶ Compact
- ▶ Floating antiwear impellers (patented)

INSTALLATION AND USE

The self-priming "PLURIJET" pumps are designed to pump water even in cases where air is present. As a result of their quietness, reliability and low energy consumption they are recommended for use in domestic and civil applications such as the pressurisation and distribution of water in combination with pressure sets, and in rain water recovery and irrigation systems, etc.

APPLICATION LIMITS

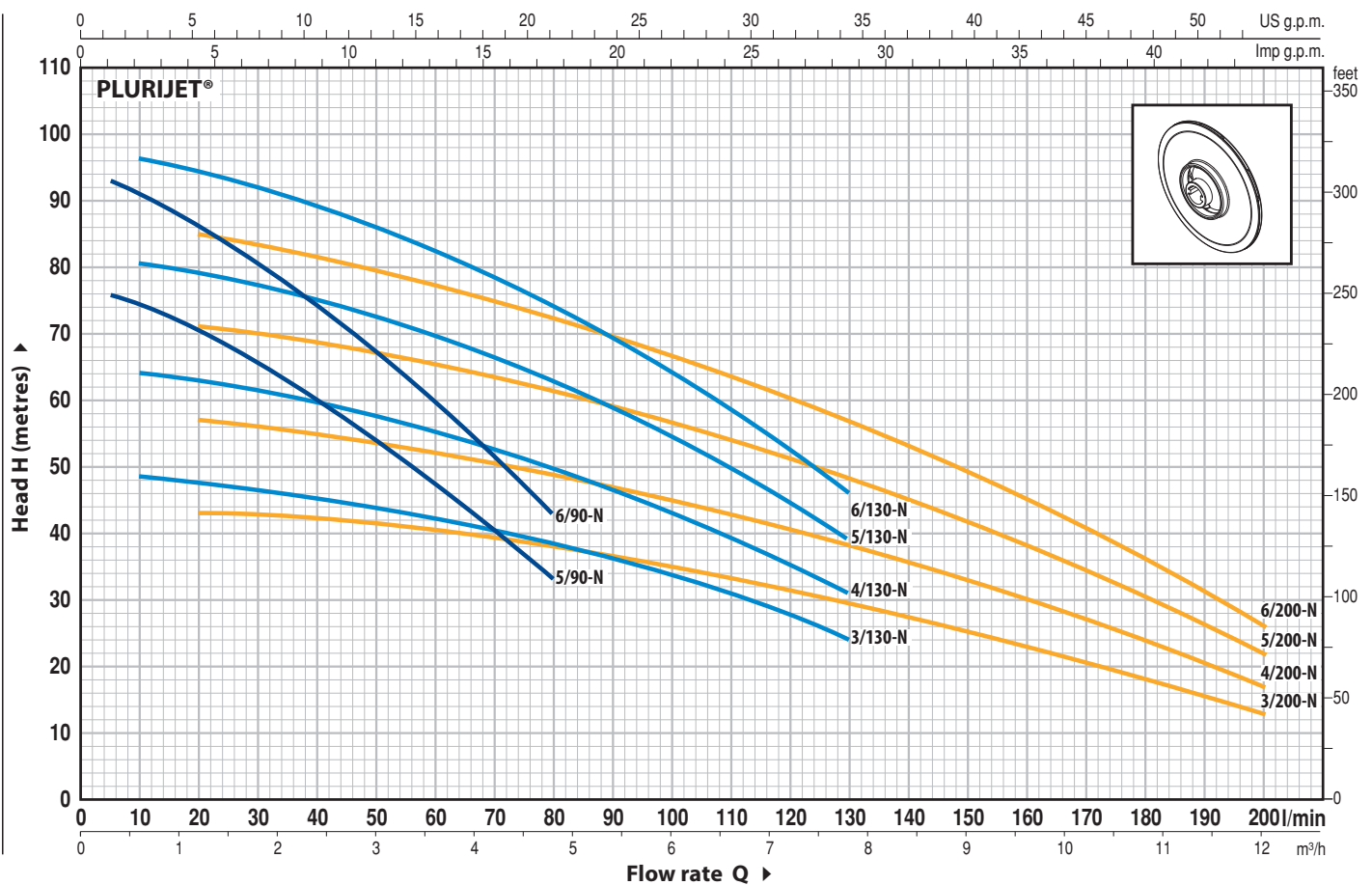
- Manometric suction lift up to **9 m** (HS)
- Liquid temperature between **-10 °C** and **+40 °C**
- Ambient temperature up to **+40 °C**
- Max. working pressure **10 bar**

TRADE MARK

- PLURIJET® is a registered trade mark n° 3974301

CHARACTERISTIC CURVES AND PERFORMANCE DATA

50 Hz n= 2900 1/min HS= 0 m

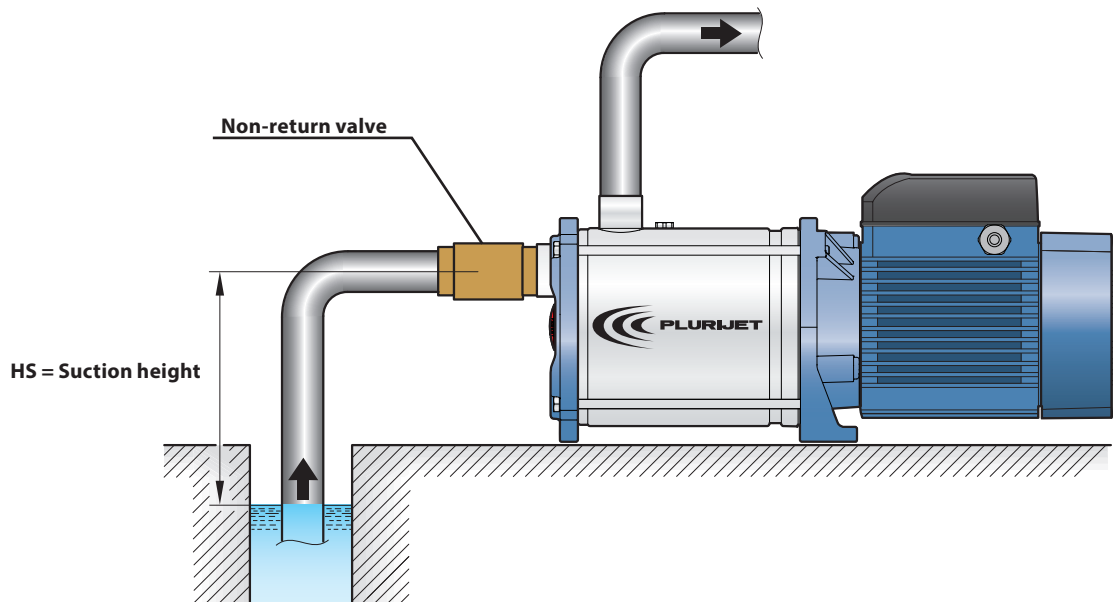


MODEL		POWER		Q	H metres												
Single-phase	Three-phase	kW	HP		0	0.3	0.6	1.2	2.4	3.6	4.8	6.0	7.8	8.4	9.6	10.8	12.0
PLURIJETm 5/90-N	PLURIJET 5/90-N	1.1	1.5	0	76	76	73.5	70	60.5	47	33						
PLURIJETm 6/90-N	PLURIJET 6/90-N	1.5	2	5	93	93	90.5	86	74.5	59.5	43						
PLURIJETm 3/130-N	PLURIJET 3/130-N	1.1	1.5	10	49	49	48.5	47.5	45	42.5	38.5	33.5	24				
PLURIJETm 4/130-N	PLURIJET 4/130-N	1.5	2	20	65	65	64	63	60	56	50	43	31				
-	PLURIJET 5/130-N	1.8	2.5	40	81	81	80.5	79	75	70	62.5	54	39				
-	PLURIJET 6/130-N	2.2	3	60	97	97	96.5	94.5	90	83	74.5	64	46				
PLURIJETm 3/200-N	PLURIJET 3/200-N	1.1	1.5	80	44	43.5	43.5	43	42	40.5	38	35	29	27.5	23	18	13
PLURIJETm 4/200-N	PLURIJET 4/200-N	1.5	2	100	58	57.5	57.5	57	55	52.5	49.5	45	38	35.5	30	24	17
-	PLURIJET 5/200-N	1.8	2.5	120	73	72	71.5	71	69	65.5	62	56.5	48	44.5	38	30	22
-	PLURIJET 6/200-N	2.2	3	140	87	86	85.5	85	82	78	73	67	57	53	45	36	26

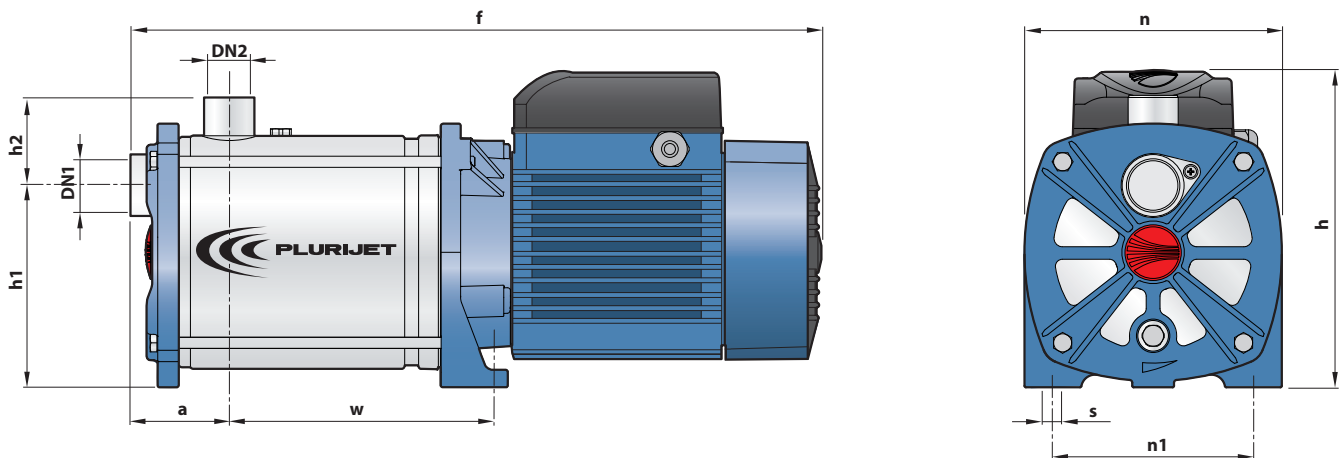
Q = Flow rate H = Total manometric head HS = Suction height

Tolerance of characteristic curves in compliance with EN ISO 9906 Grade 3.

EXAMPLE OF INSTALLATION



DIMENSIONS



MODEL		PORTS		DIMENSIONS mm								
Single-phase	Three-phase	DN1	DN2	a	f	h	h1	h2	n	n1	w	s
PLURIJETm 5/90-N	PLURIJET 5/90-N	1 1/4"	1"	71.5	549	230	145	64	185	145	245	10
PLURIJETm 6/90-N	PLURIJET 6/90-N				575						271	
PLURIJETm 3/130-N	PLURIJET 3/130-N				497						193	
PLURIJETm 4/130-N	PLURIJET 4/130-N				523						220	
-	PLURIJET 5/130-N				549						245	
-	PLURIJET 6/130-N				575						271	
PLURIJETm 3/200-N	PLURIJET 3/200-N				497						193	
PLURIJETm 4/200-N	PLURIJET 4/200-N				523						220	
-	PLURIJET 5/200-N				549						245	
-	PLURIJET 6/200-N				575						271	



Pedrollo S.p.A. – Via Enrico Fermi, 7 – 37047 – San Bonifacio (VR)
tel. 045 6136311 – fax 045 7614663 – sales@pedrollo.com – www.pedrollo.com