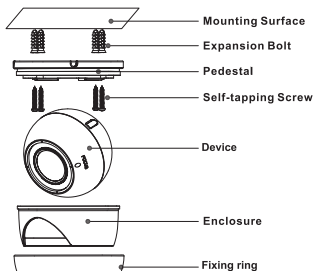
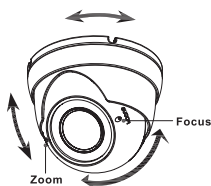


Quick Installation Guide V1.0.0

NOTE

- Please make sure the mounting surface is strong enough to hold at least three times of the camera weight.
- For wooden mounting surface, expansion bolts are optional.

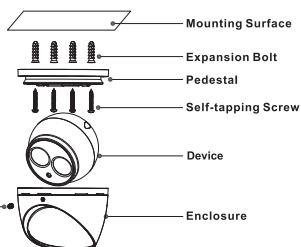
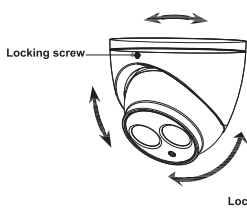
Model A



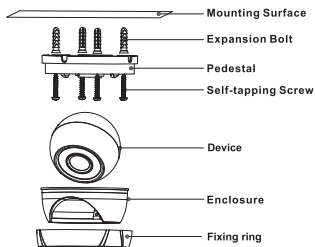
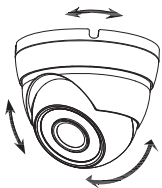
NOTE

You can adjust zoom and focus with a screwdriver.

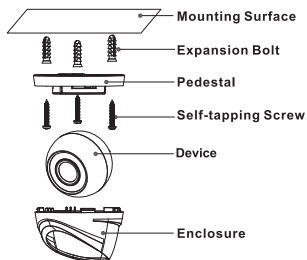
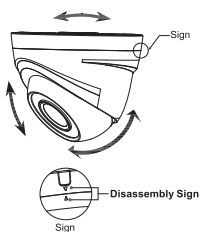
Model B



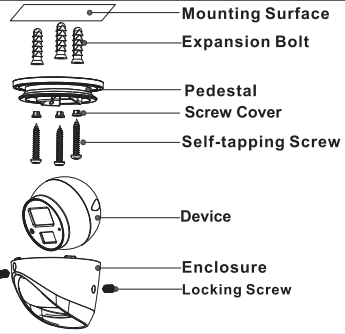
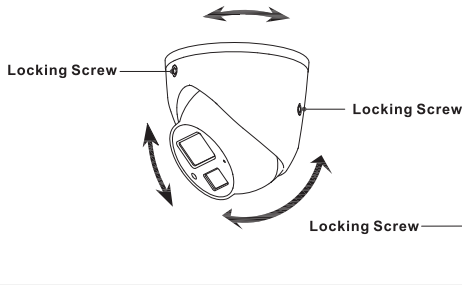
Model C



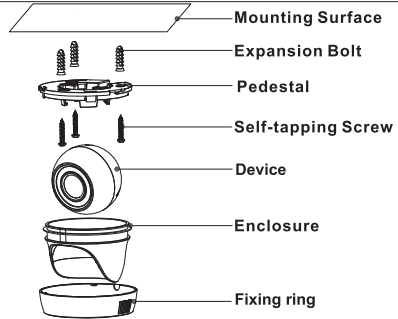
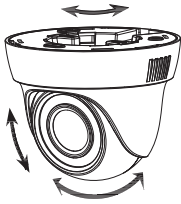
Model D



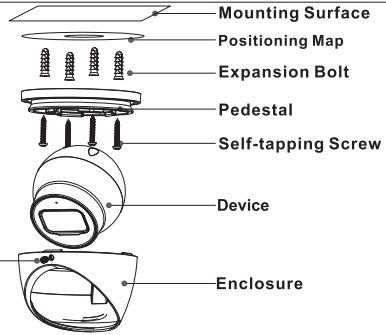
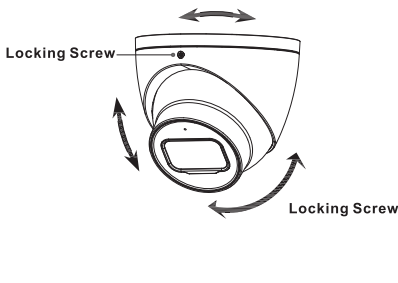
Model E



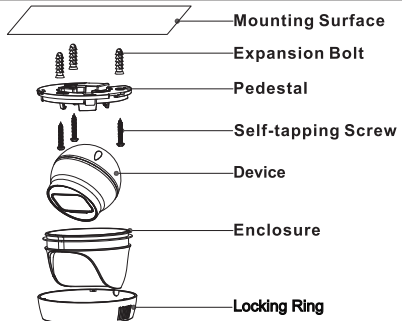
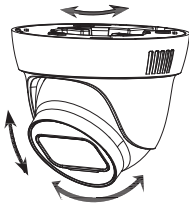
Model F



Model G



Model H



NOTE

This manual is for reference only. Please visit our website or contact your local service engineer for more information.