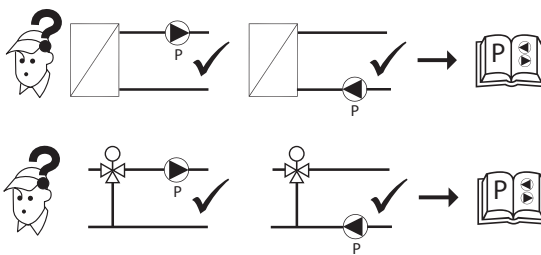
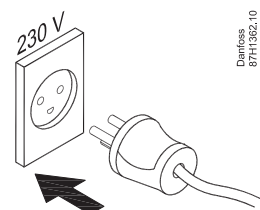
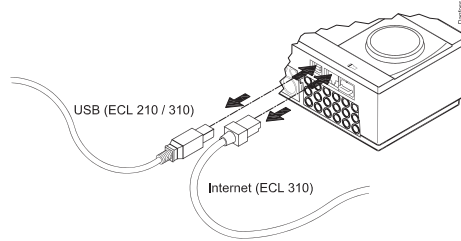
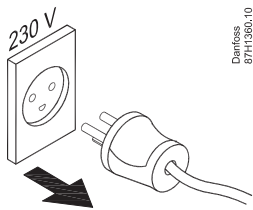
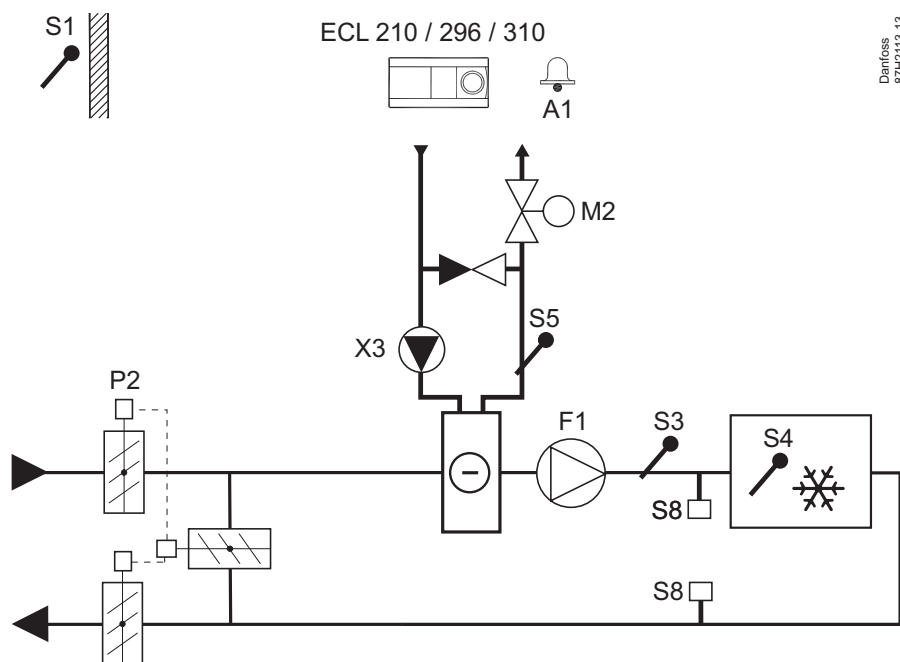


Installation Guide

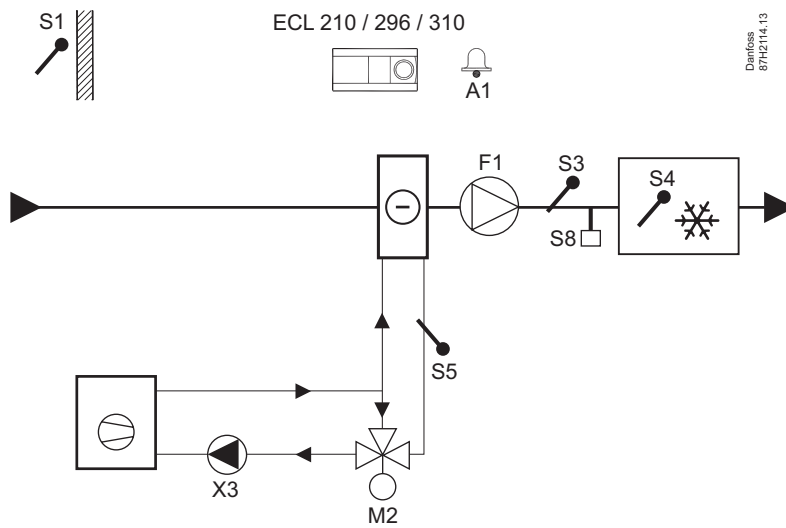
ECL Comfort 210 / 296 / 310, A214 / A314 (code no. 087H3811)



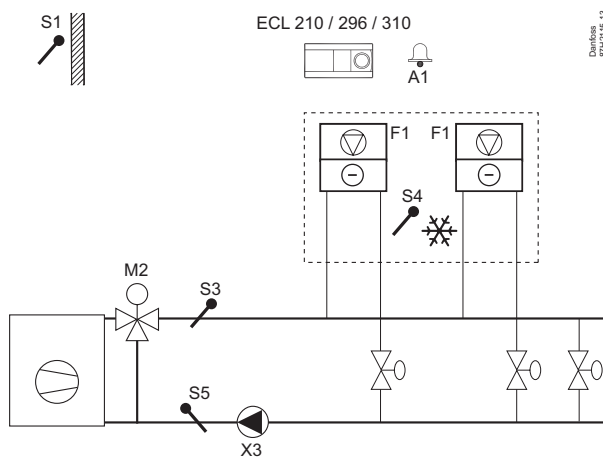
A214.1, ex. a:



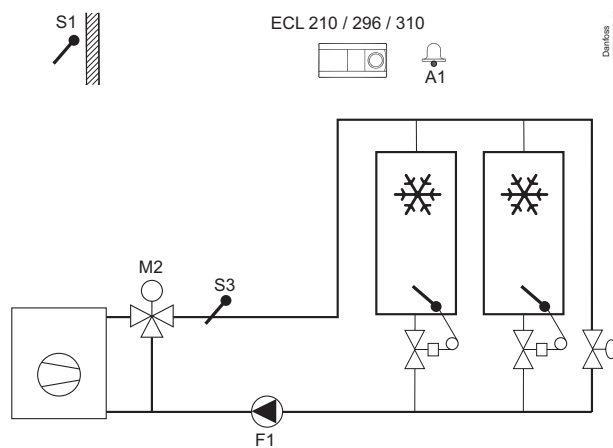
A214.1 (ex. b):



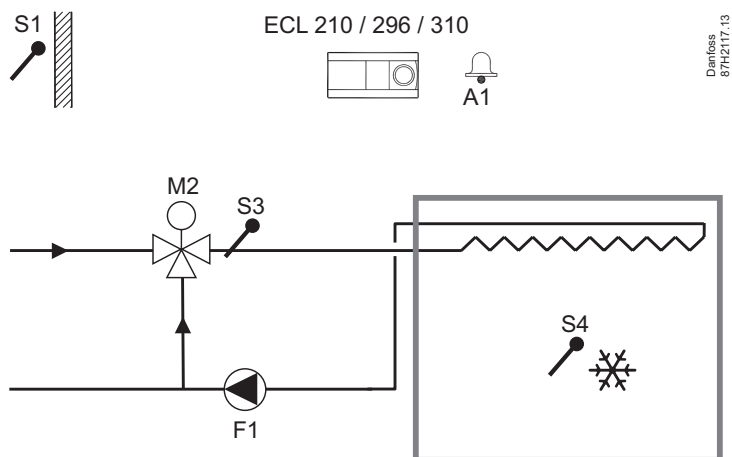
A214.1 (ex. c):



A214.1 (ex. d):

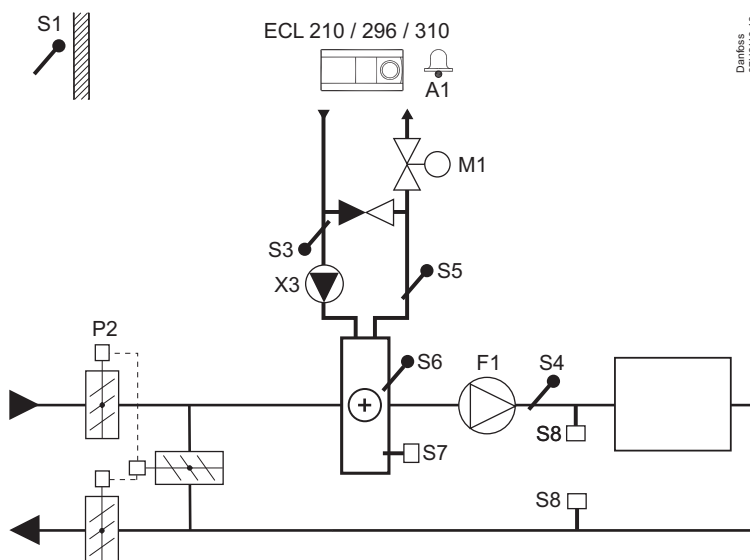


214.1 (ex. e):



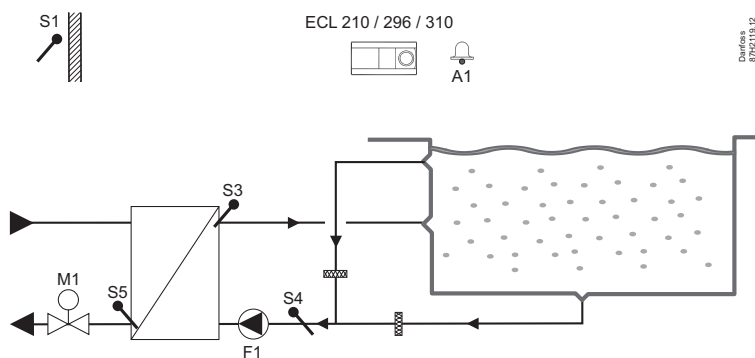
Danfoss
87H2117.13

A214.2 (ex. a):



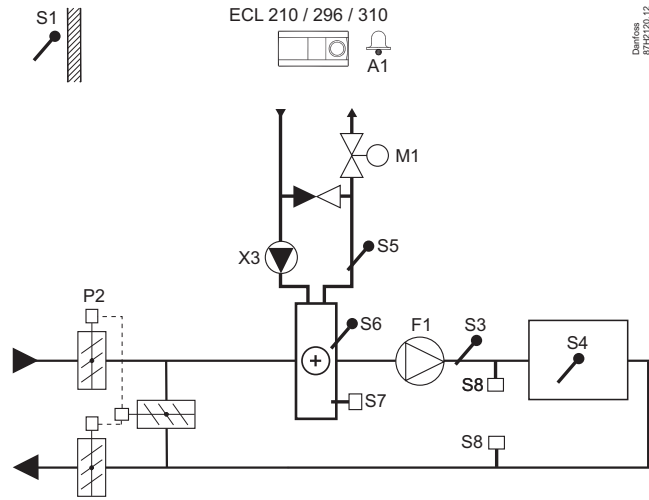
Danfoss
87H2118.12

A214.2 (ex. b):

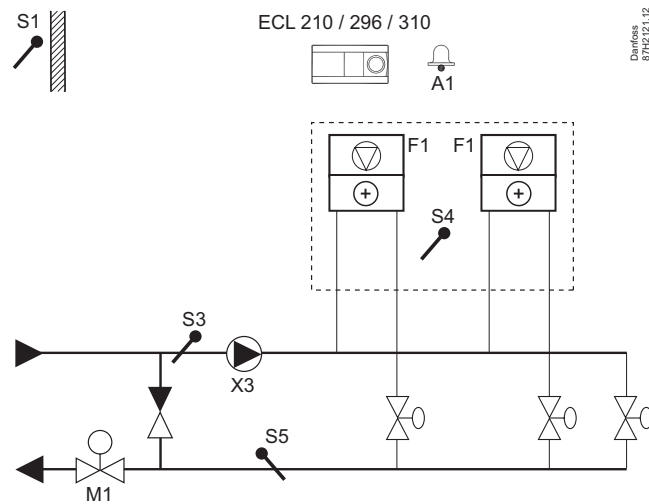


Danfoss
87H2119.12

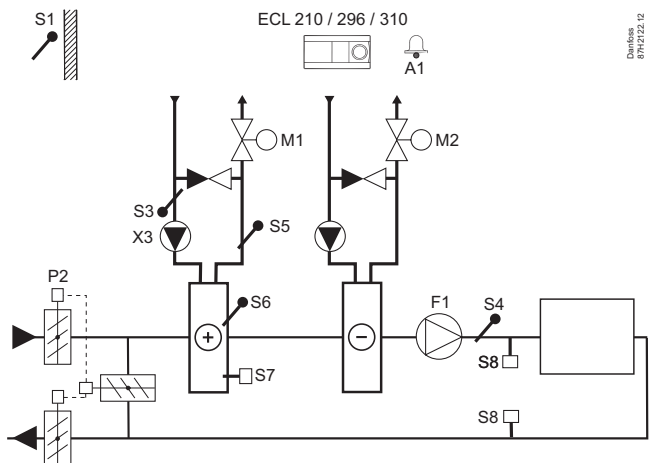
A214.3 (ex. a:)



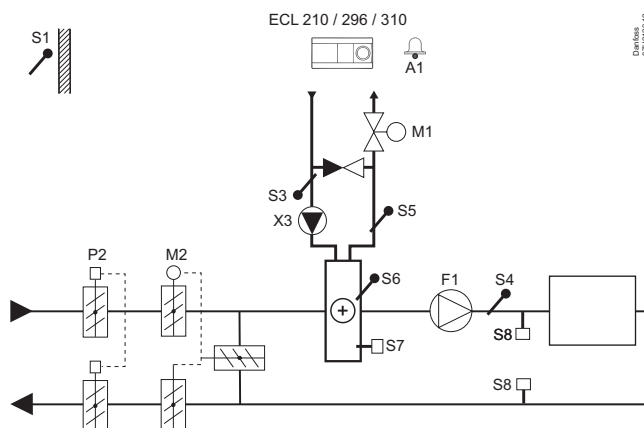
A214.3 (ex. b:)



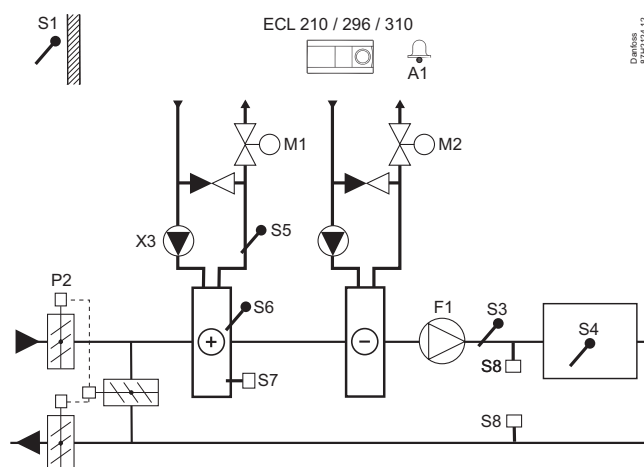
A214.4 (ex. a:)



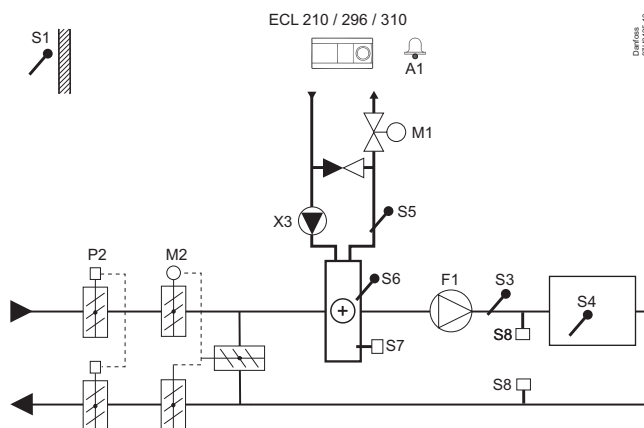
A214.4 (ex. b):



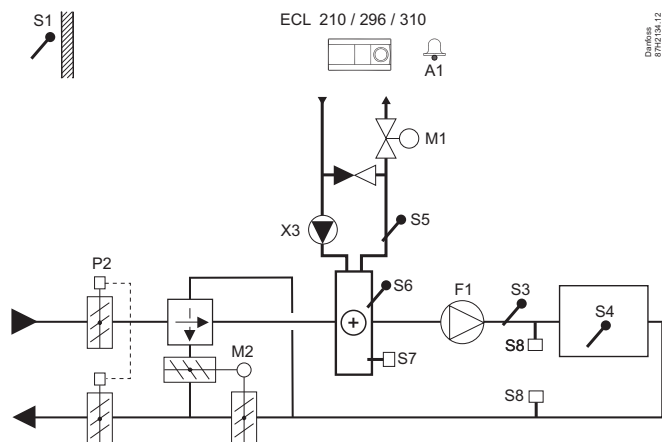
A214.5 (ex. a):



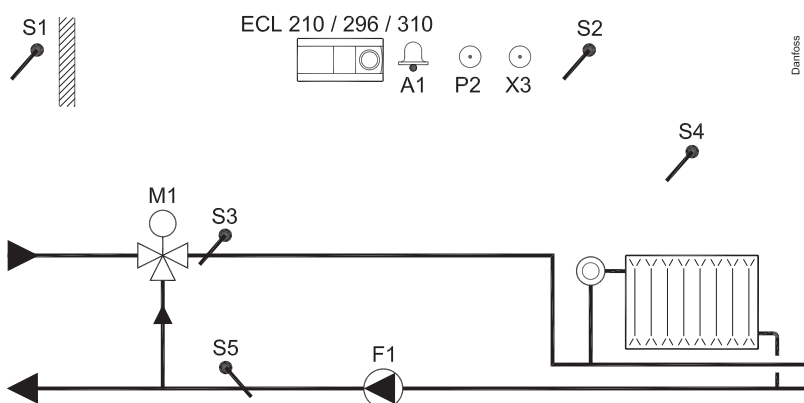
A214.5 (ex. b):



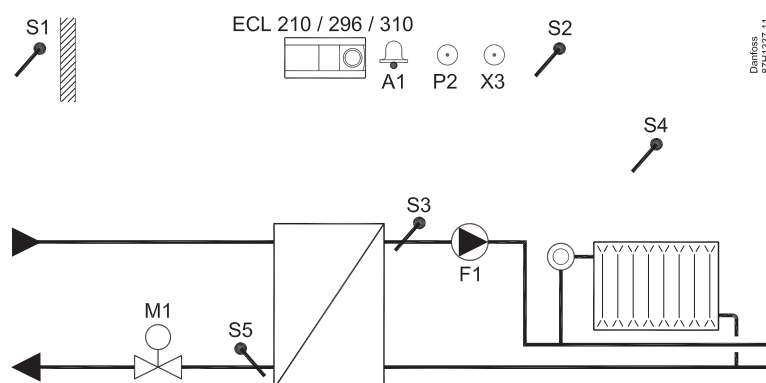
A214.5 (ex. c)



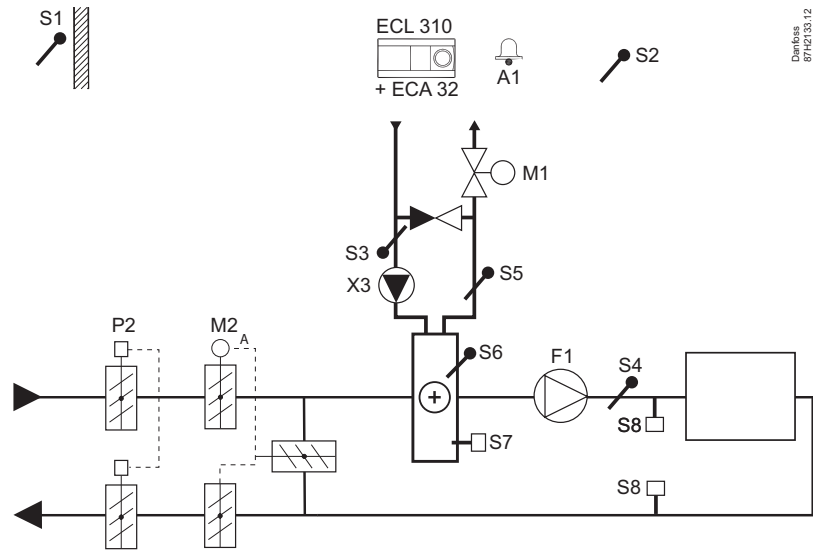
A214.6 (ex. a)



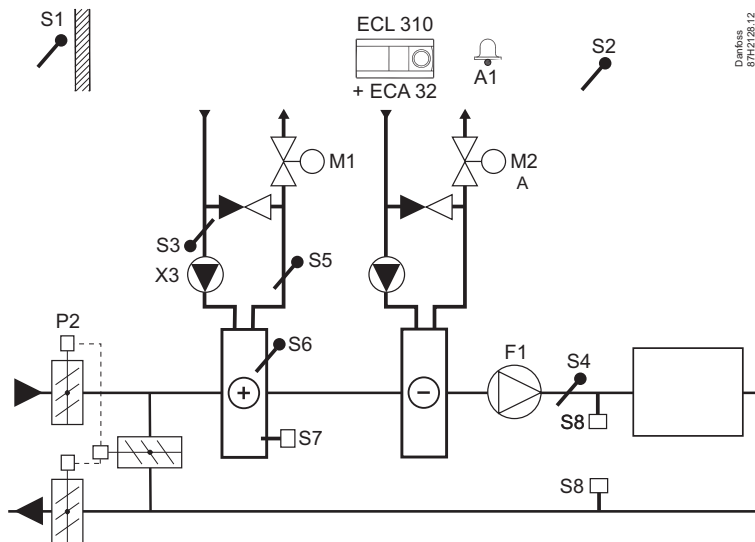
A214.6 (ex. b)



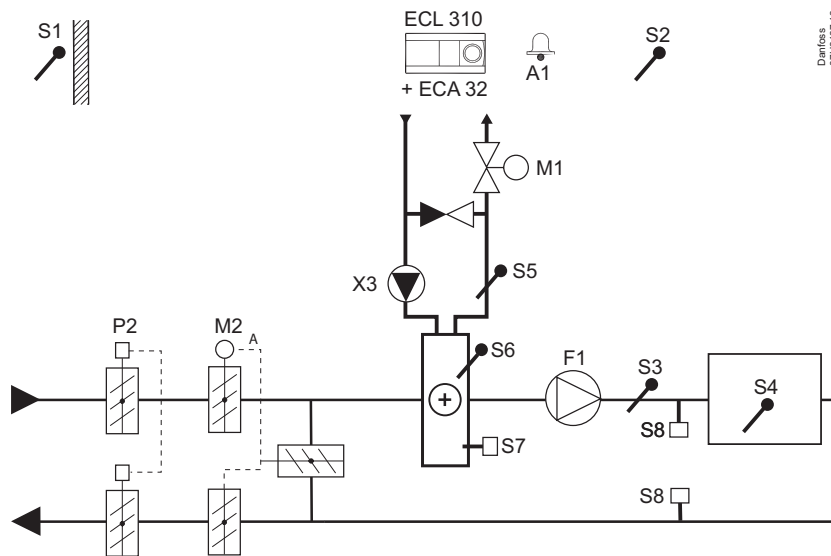
A314.1 (ex. a):



A314.1 (ex. b):

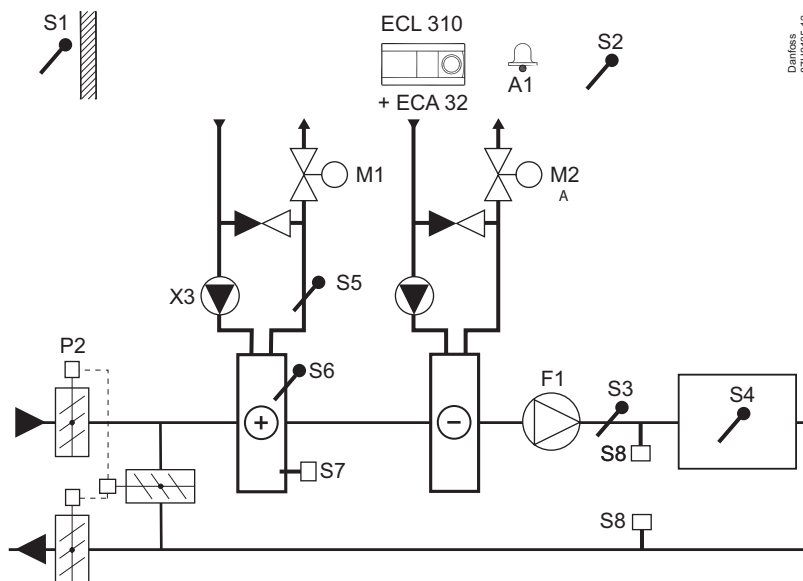


A314.2 (ex. a:)



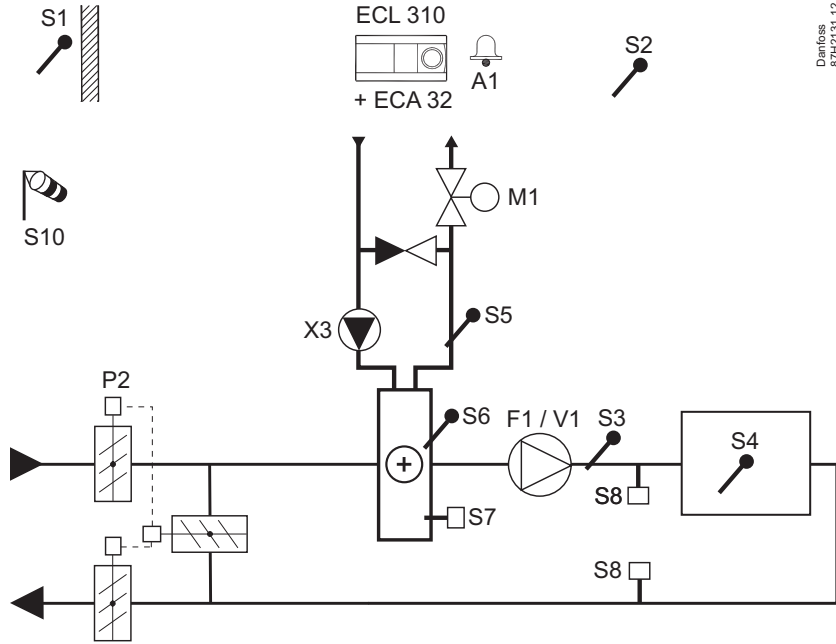
Danfoss
87142127.12

A314.2 (ex. b:)

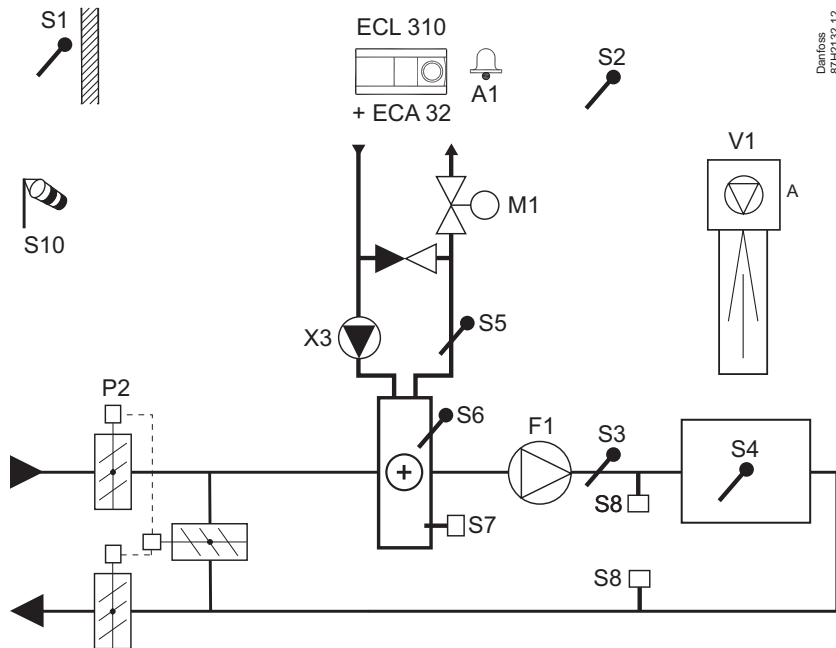


Danfoss
87142125.12

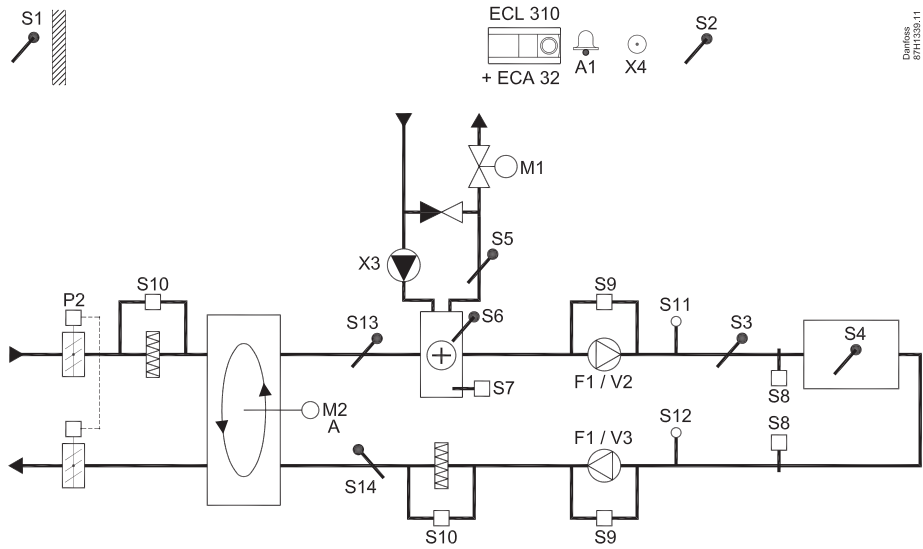
A314.3 (ex. a:)



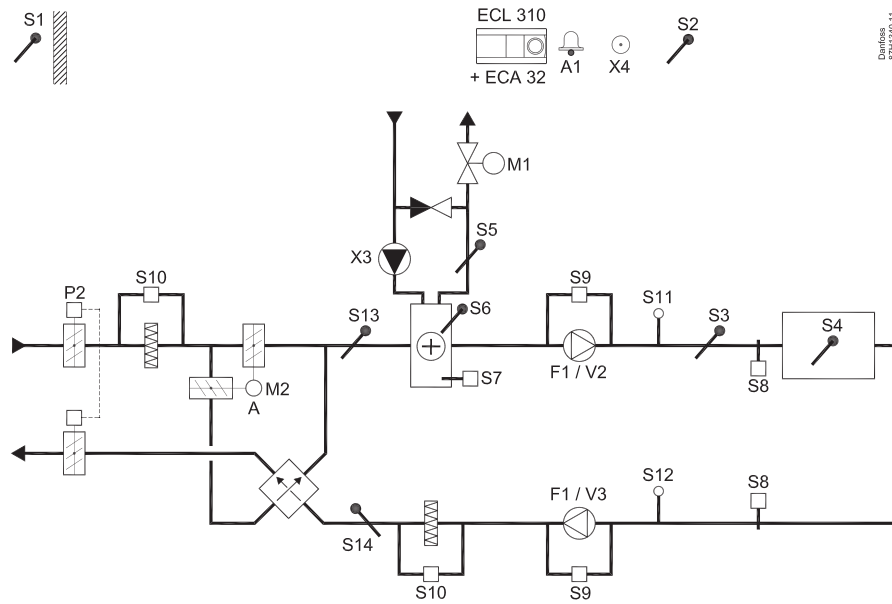
A314.3 (ex. b:)



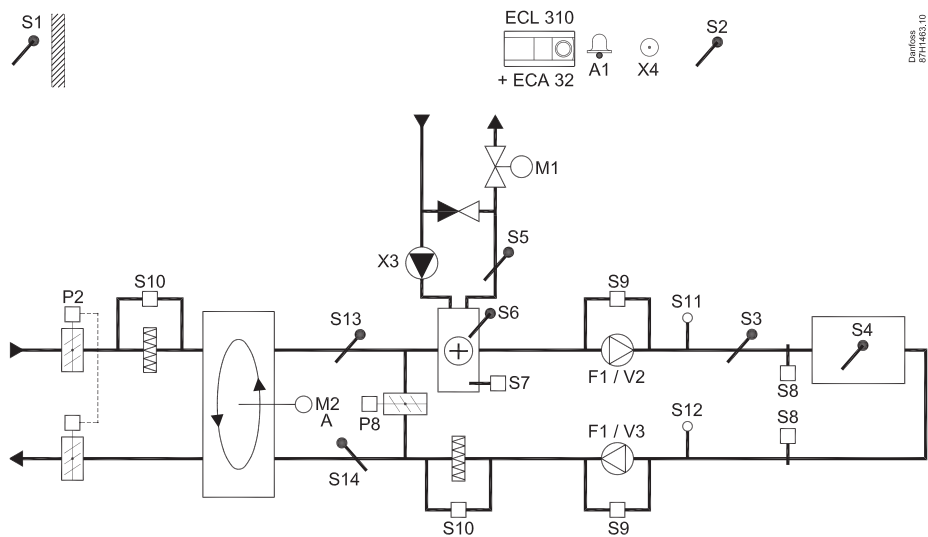
A314.4 (ex. a):



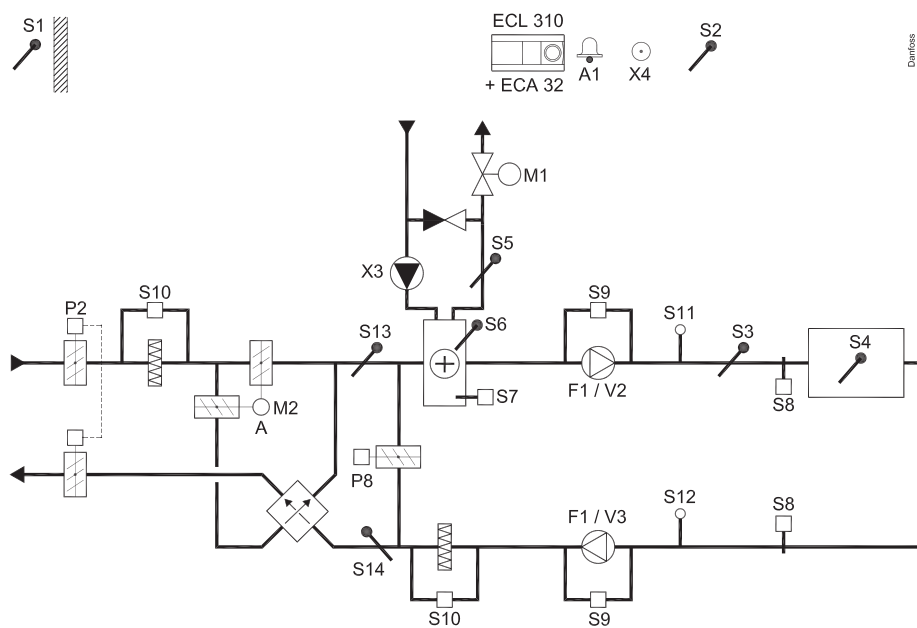
A314.4 (ex. b):



A314.4 (ex. c:)

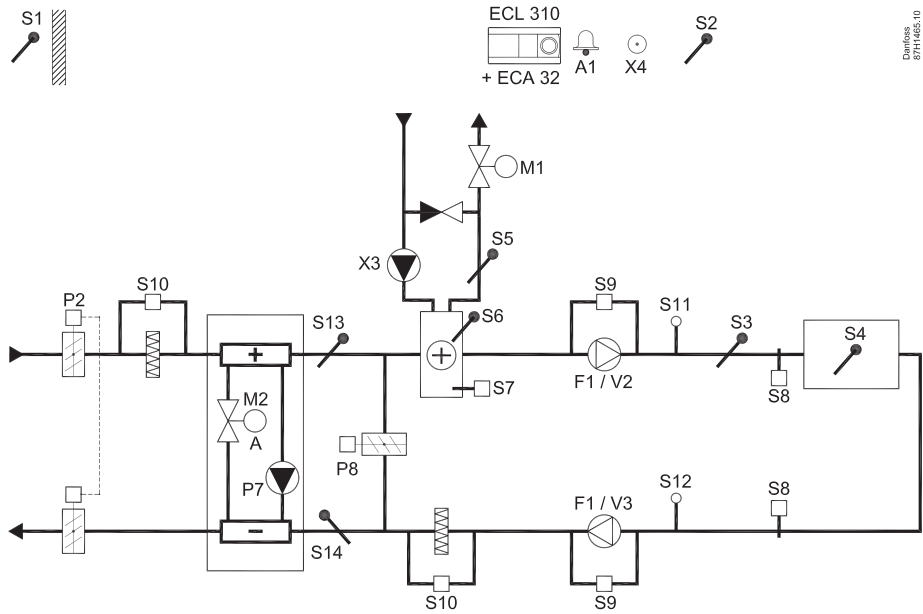


A314.4 (ex. d:)

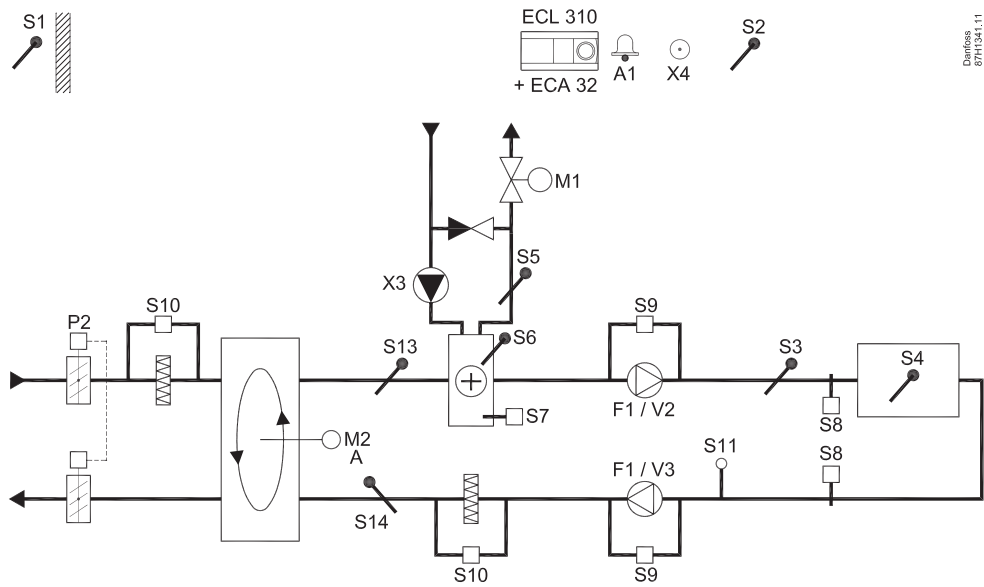


Installation Guide, ECL Comfort 210 / 296 / 310, A214 / A314

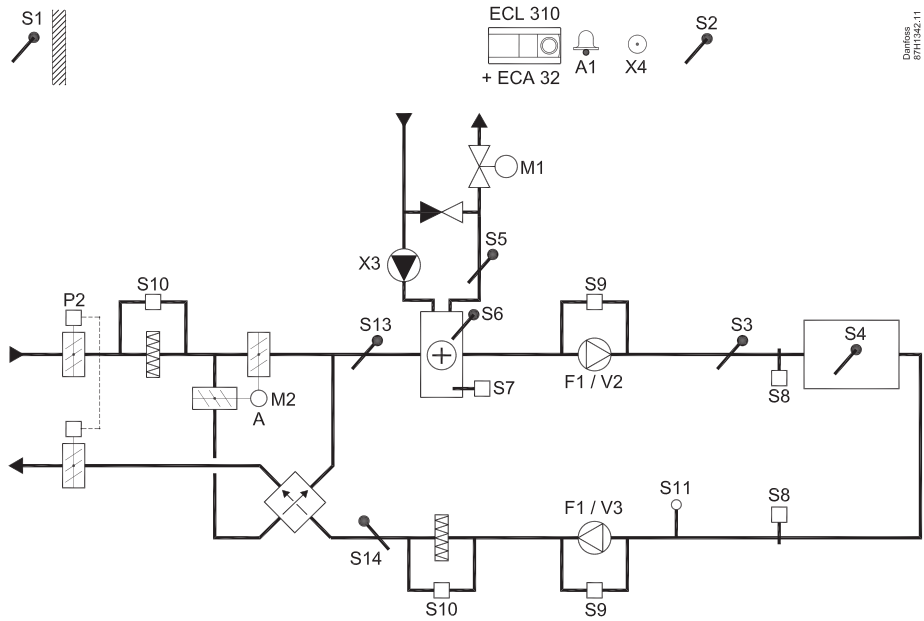
A314.4 (ex. e):



A314.5 (ex. a):

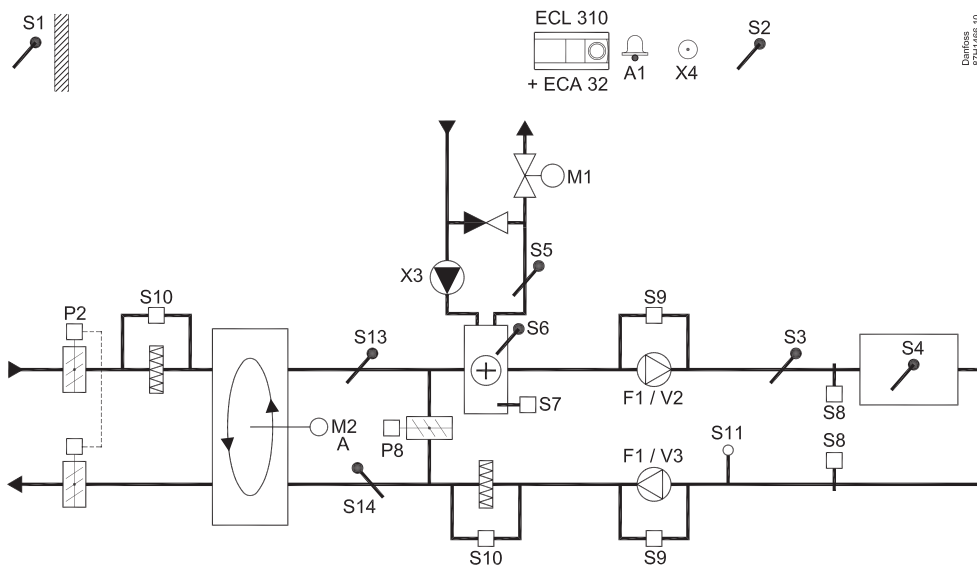


A314.5 (ex. b:)



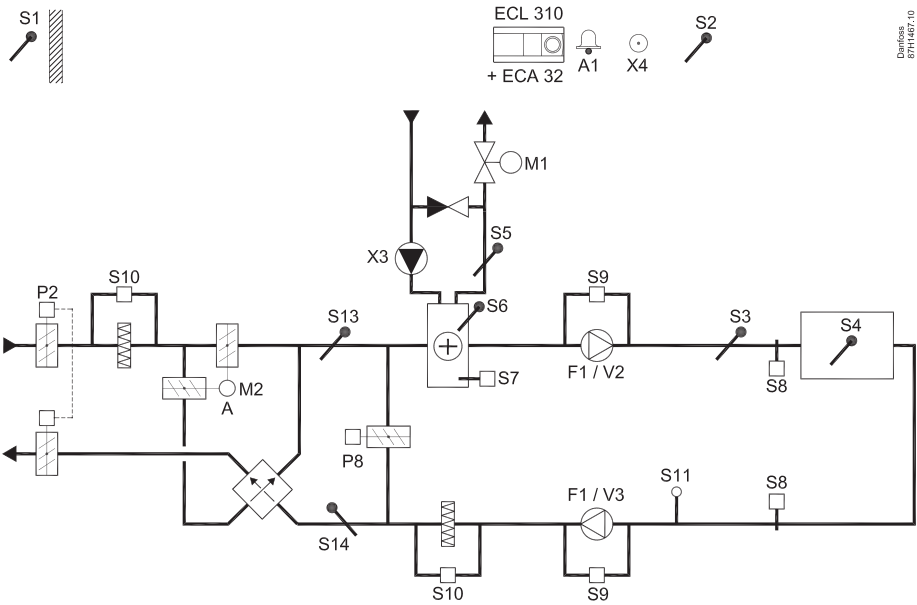
Danfoss
8711342.11

A314.5 (ex. c:)

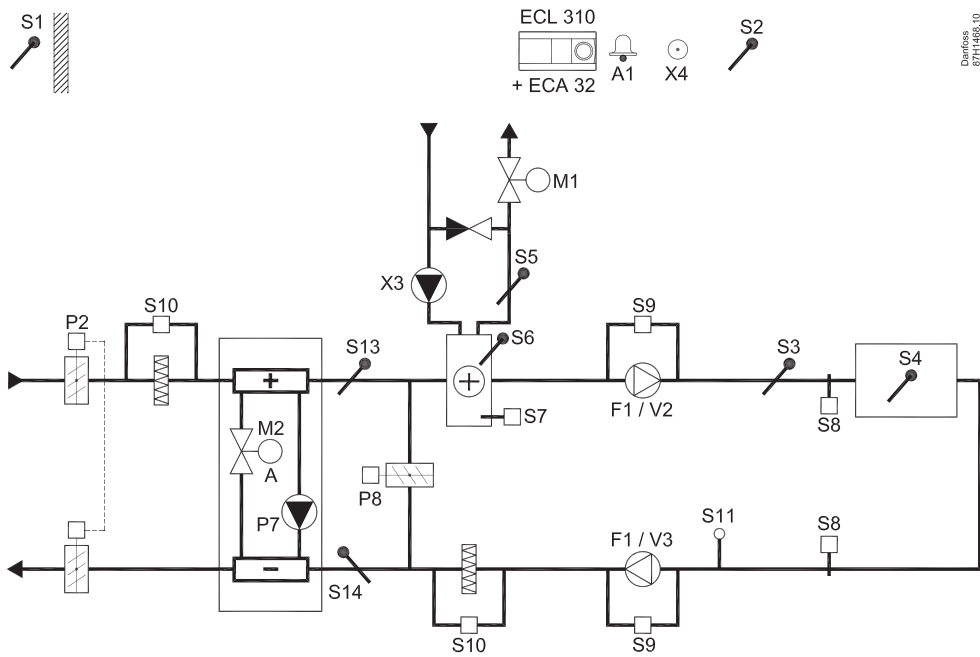


Danfoss
8711466.10

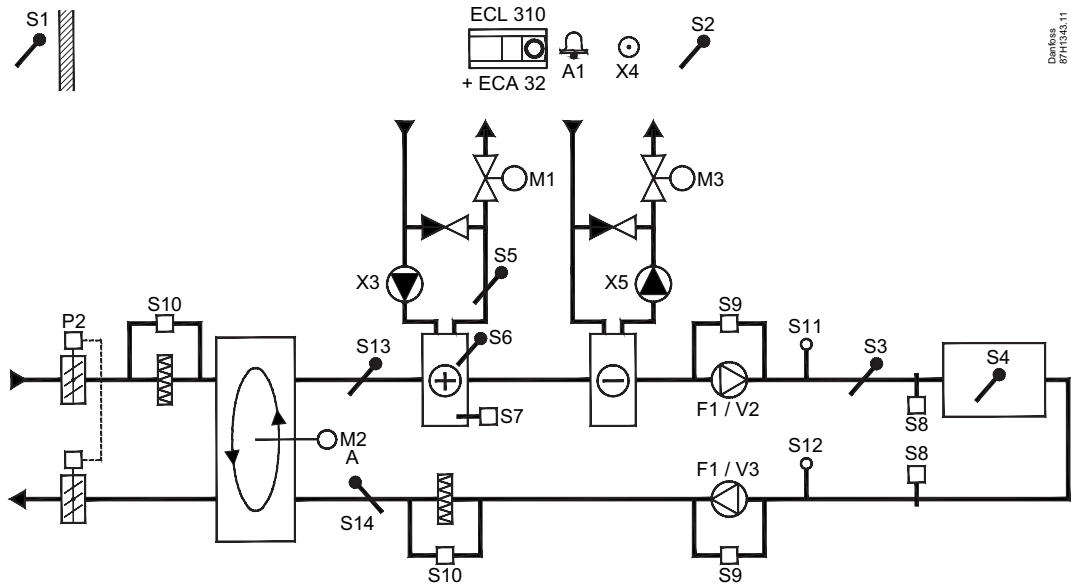
A314.5 (ex. d):



A314.5 (ex. e):

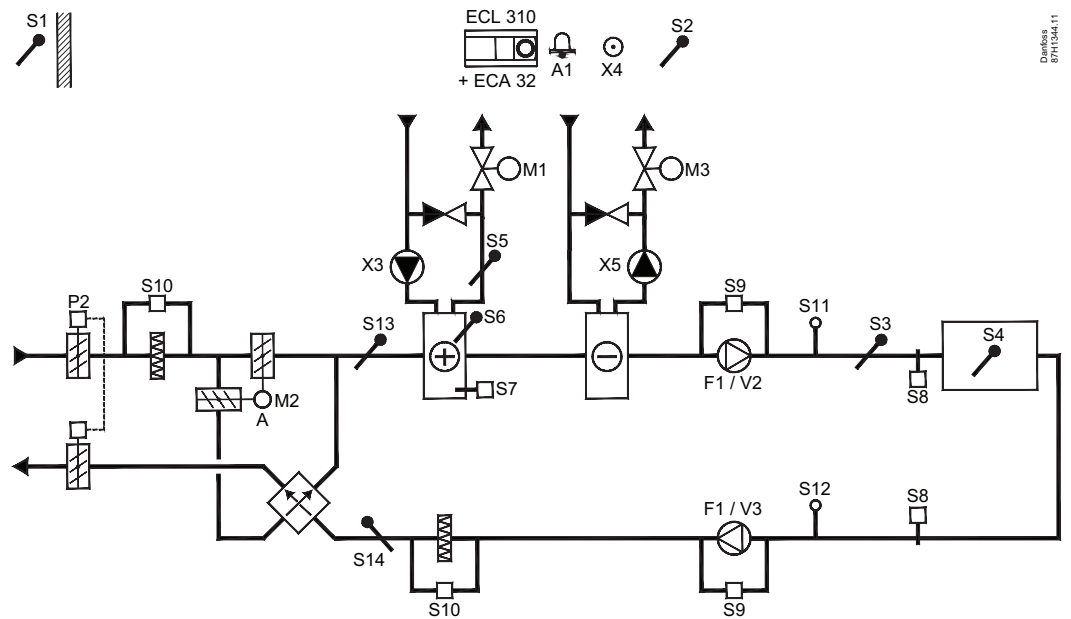


A314.6 (ex. a):



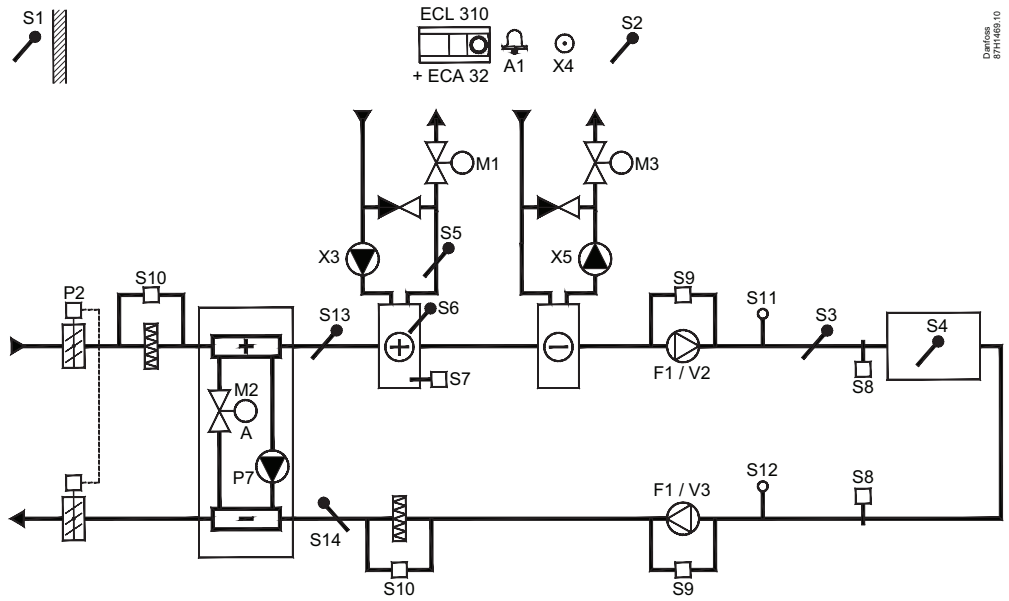
Danfoss
8711343.11

A314.6 (ex. b):

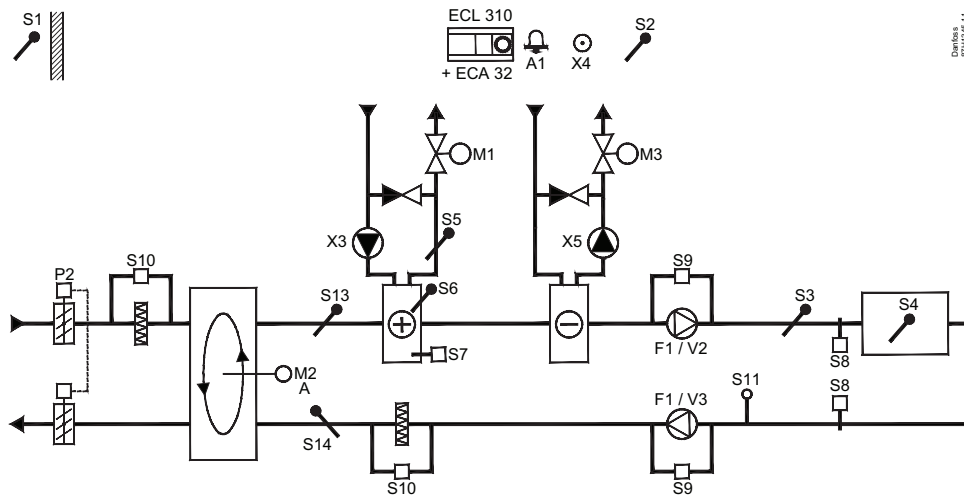


Danfoss
8711344.11

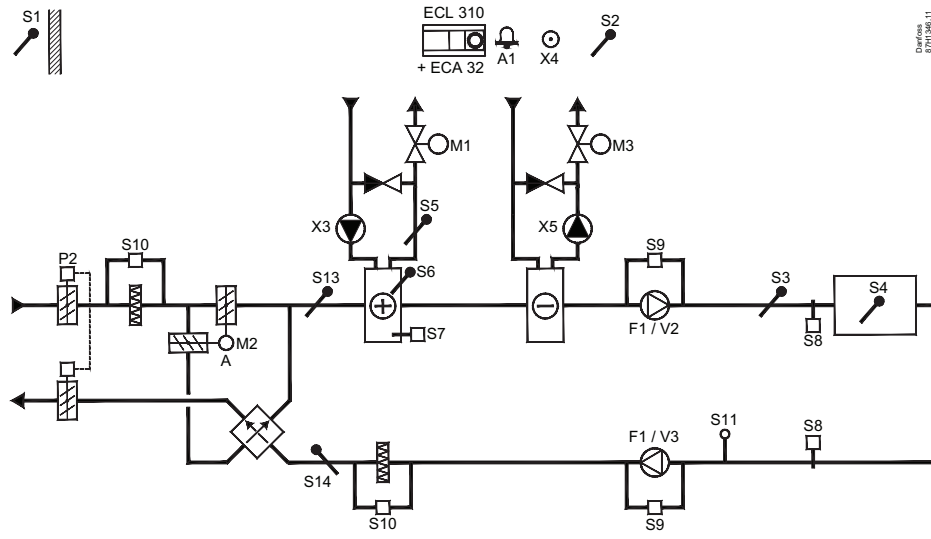
A314.6 (ex. c:)



A314.7 (ex. a:)

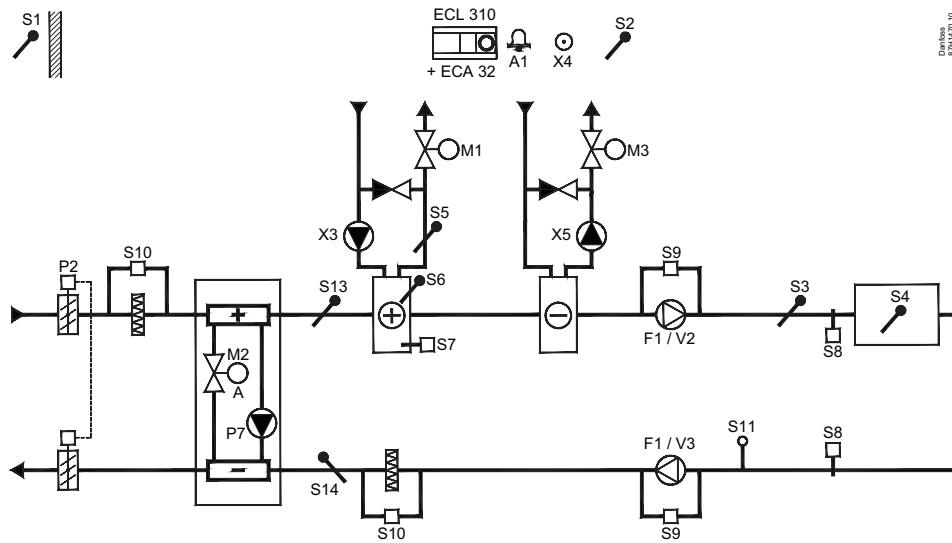


A314.7 (ex. b):



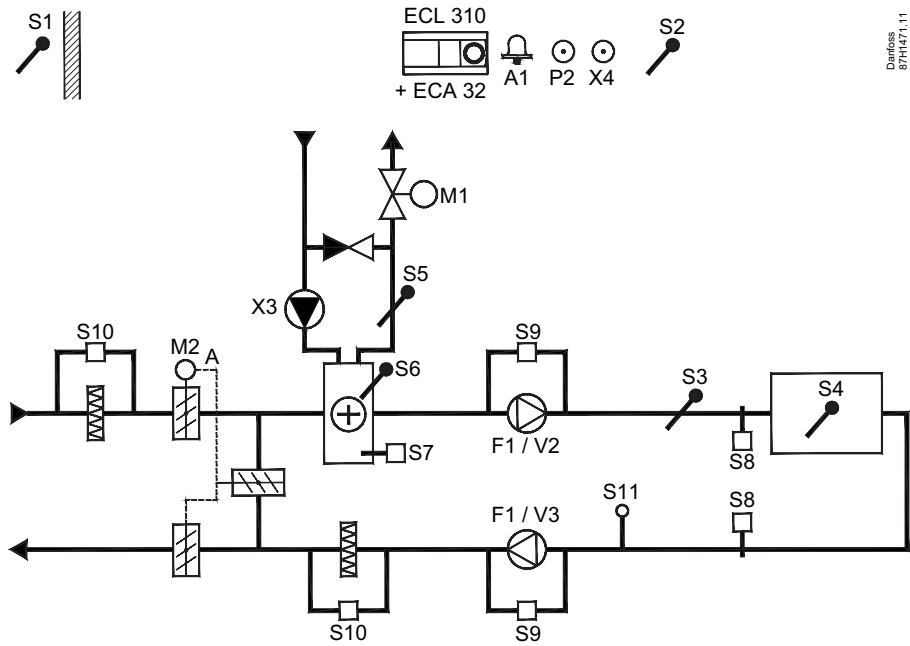
Danfoss
09/19/2011

A314.7 (ex. c):



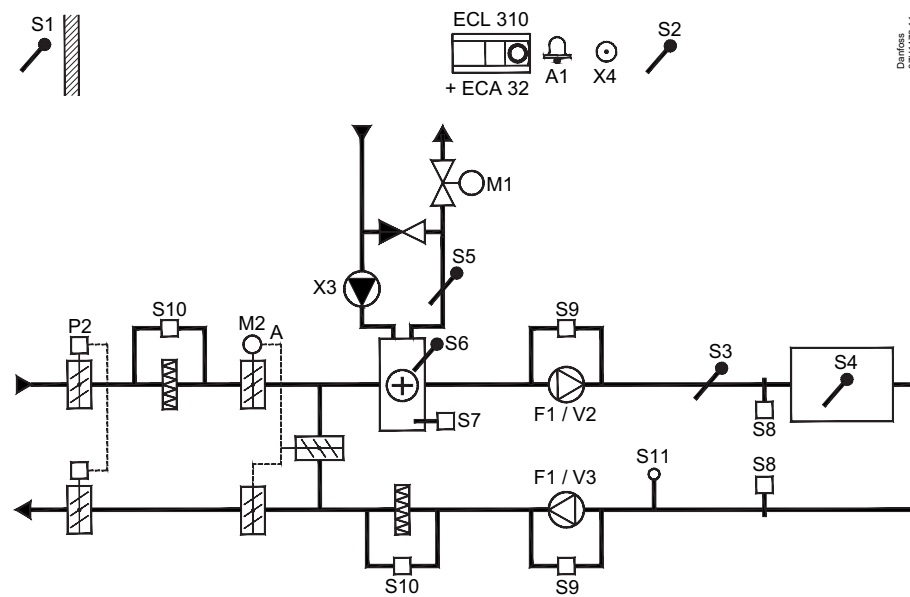
Danfoss
09/19/2011

A314.9 (ex. a):



Danfoss
87H47Z.11

A314.9 (ex. b):



Danfoss
87H47Z.11

230 V a.c., A214

ECL 210 / 310:

| | 3-point: | | |
|--------|----------|----|----|
| | M1 | M2 | M3 |
| A214.1 | | ✓ | |
| A214.2 | ✓ | | |
| A214.3 | ✓ | | |
| A214.4 | ✓ | ✓ | |
| A214.5 | ✓ | ✓ | |
| A214.6 | ✓ | | |

ECL 310:

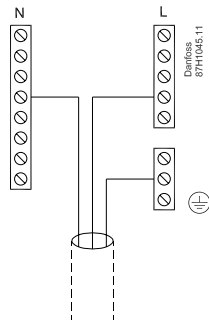
| | 3-point: | | | | 0 - 10 V: (ECA 32) | |
|--------|----------|----|----|--|-----------------------|----|
| | M1 | M2 | M3 | | M1 | M2 |
| A314.1 | ✓ | | | | ✓ | |
| A314.2 | ✓ | | | | ✓ | |
| A314.3 | ✓ | | | | | |
| A314.4 | ✓ | | | | ✓ | |
| A314.5 | ✓ | | | | ✓ | |
| A314.6 | ✓ | | ✓ | | ✓ | |
| A314.7 | ✓ | | ✓ | | ✓ | |
| | | | | | | |
| A314.9 | ✓ | | | | ✓ | |

| | ECL Comfort 210 | | | | | | |
|--------|-----------------|----|----|----|----|--------|----|
| | ECL Comfort 310 | | | | | ECA 32 | |
| | F1 | P2 | X3 | X4 | X5 | P7 | P8 |
| A214.1 | ✓ | ✓ | ✓ | | | | |
| A214.2 | ✓ | ✓ | ✓ | | | | |
| A214.3 | ✓ | ✓ | ✓ | | | | |
| A214.4 | ✓ | ✓ | ✓ | | | | |
| A214.5 | ✓ | ✓ | ✓ | | | | |
| A214.6 | ✓ | ✓ | ✓ | | | | |
| | | | | | | | |
| A314.1 | ✓ | ✓ | ✓ | | | | |
| A314.2 | ✓ | ✓ | ✓ | | | | |
| A314.3 | ✓ | ✓ | ✓ | | | | |
| A314.4 | ✓ | ✓ | ✓ | ✓ | | ✓ | ✓ |
| A314.5 | ✓ | ✓ | ✓ | ✓ | | ✓ | ✓ |
| A314.6 | ✓ | ✓ | ✓ | ✓ | ✓ | ✓ | |
| A314.7 | ✓ | ✓ | ✓ | ✓ | ✓ | ✓ | |
| | | | | | | | |
| A314.9 | ✓ | ✓ | ✓ | ✓ | ✓ | | |

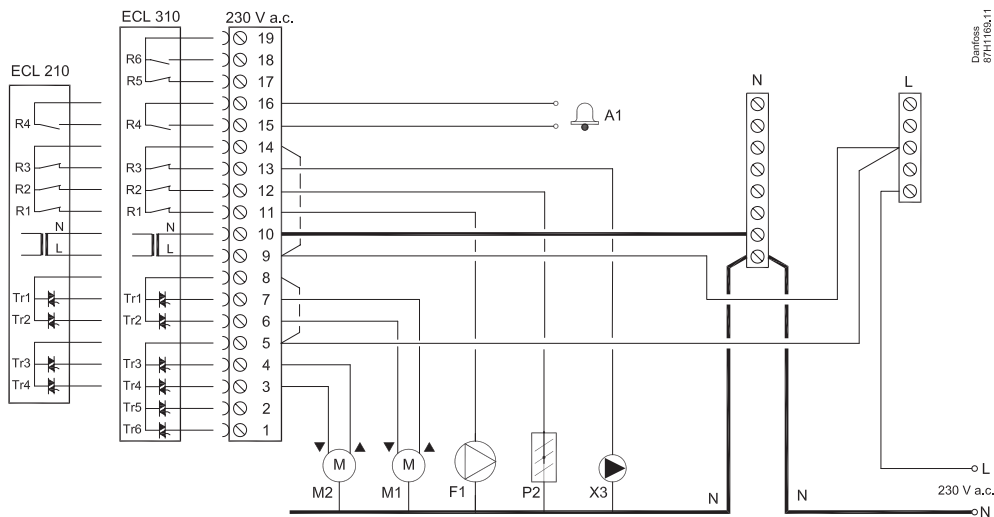
Installation Guide, ECL Comfort 210 / 296 / 310, A214 / A314

ECL Comfort 210 / 310: 230 V a.c.

| | | |
|----|--|---------------------|
| R | | 4 (2) A / 24 V a.c. |
| R | | |
| Tr | | 1 A / 24 V a.c. |

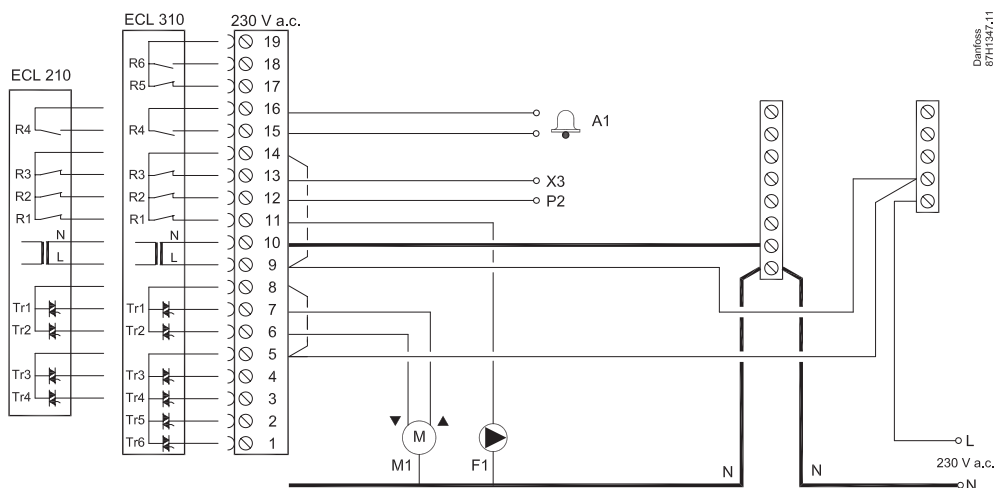


230 V a.c., A214



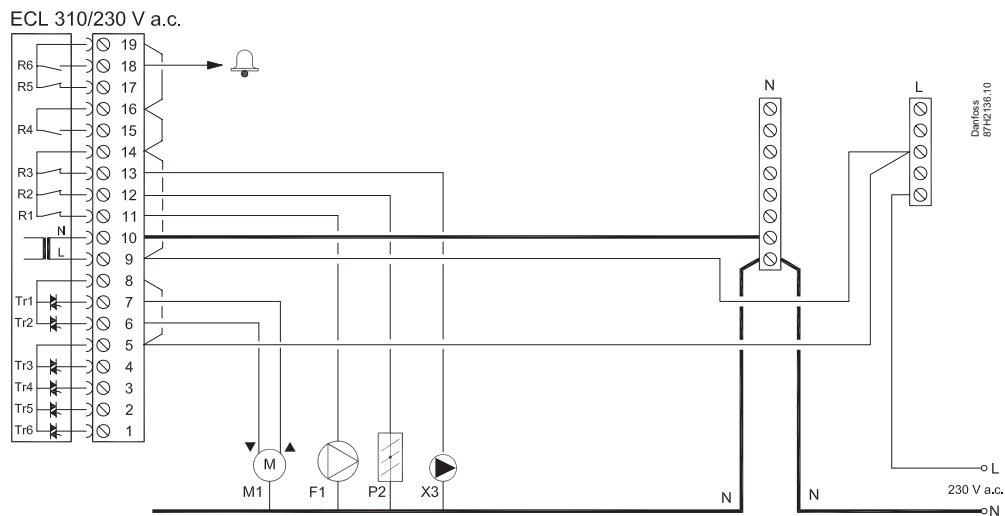
Danfoss
87H1169.11

230 V a.c. (A214.6)

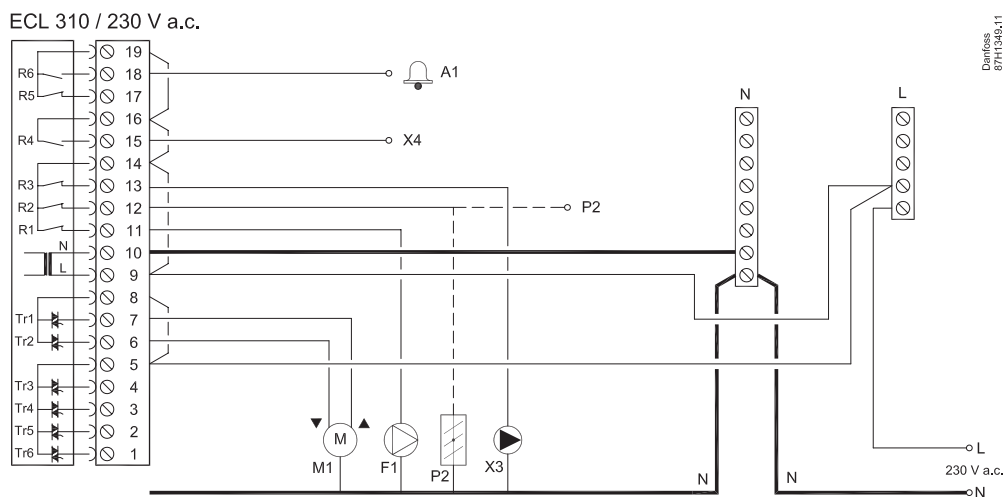


Danfoss
87H1347.11

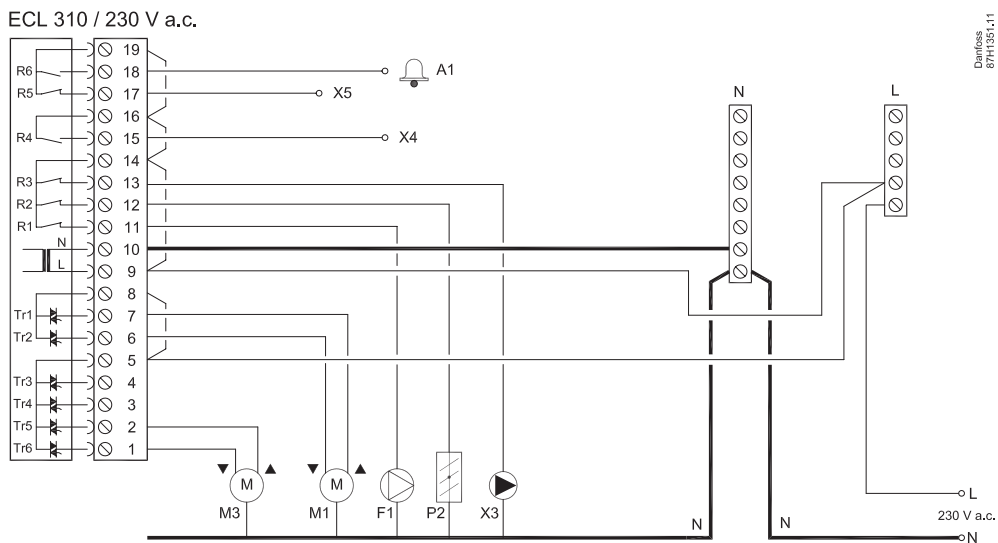
230 V a.c. (A314.1 / A314.2 / A314.3)



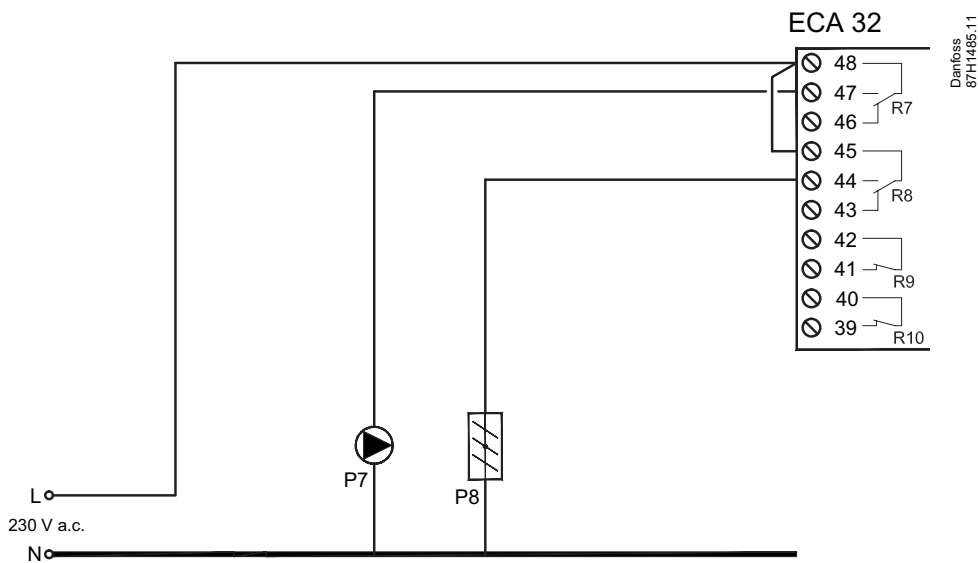
230 V a.c. (A314.4 / A314.5 / A314.9)



230 V a.c. (A314.6 / A314.7)



ECA 32



24 V a.c., A214

ECL 310:

| | 3-point: | | |
|--------|----------|----|----|
| | M1 | M2 | M3 |
| A214.1 | | ✓ | |
| A214.2 | ✓ | | |
| A214.3 | ✓ | | |
| A214.4 | ✓ | ✓ | |
| A214.5 | ✓ | ✓ | |
| A214.6 | ✓ | | |

ECL 310:

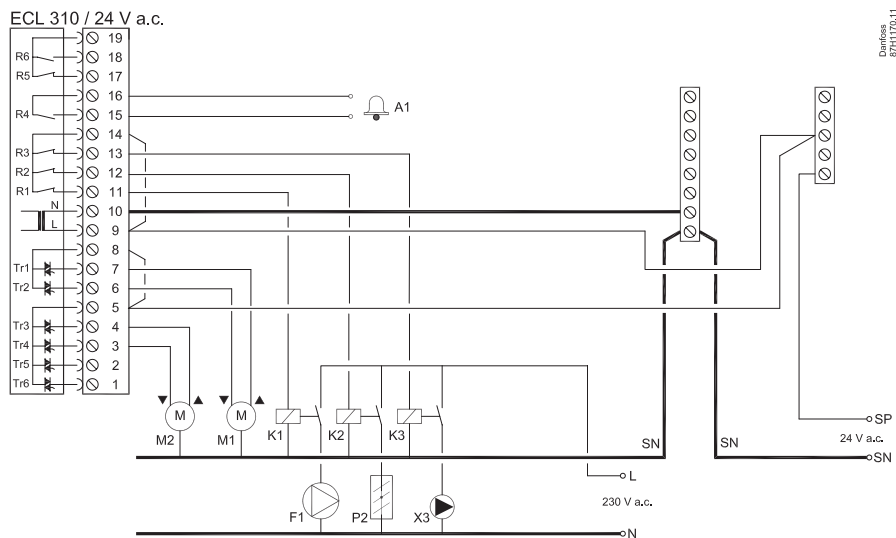
| | 3-point: | | | | 0 - 10 V: (ECA 32) | |
|--------|----------|----|----|--|-----------------------|----|
| | M1 | M2 | M3 | | M1 | M2 |
| A314.1 | ✓ | | | | ✓ | |
| A314.2 | ✓ | | | | ✓ | |
| A314.3 | ✓ | | | | | |
| A314.4 | ✓ | | | | ✓ | |
| A314.5 | ✓ | | | | ✓ | |
| A314.6 | ✓ | | ✓ | | ✓ | |
| A314.7 | ✓ | | ✓ | | ✓ | |
| | | | | | | |
| A314.9 | ✓ | | | | ✓ | |

| | ECL Comfort 310 | | | | | | ECA 32 | |
|--------|-----------------|----|----|----|----|---|--------|----|
| | F1 | P2 | X3 | X4 | X5 | | P7 | P8 |
| A214.1 | ✓ | ✓ | ✓ | | | | | |
| A214.2 | ✓ | ✓ | ✓ | | | | | |
| A214.3 | ✓ | ✓ | ✓ | | | | | |
| A214.4 | ✓ | ✓ | ✓ | | | | | |
| A214.5 | ✓ | ✓ | ✓ | | | | | |
| A214.6 | ✓ | ✓ | ✓ | | | | | |
| | | | | | | | | |
| A314.1 | ✓ | ✓ | ✓ | | | | | |
| A314.2 | ✓ | ✓ | ✓ | | | | | |
| A314.3 | ✓ | ✓ | ✓ | | | | | |
| A314.4 | ✓ | ✓ | ✓ | ✓ | | ✓ | ✓ | |
| A314.5 | ✓ | ✓ | ✓ | ✓ | | ✓ | ✓ | |
| A314.6 | ✓ | ✓ | ✓ | ✓ | ✓ | ✓ | | |
| A314.7 | ✓ | ✓ | ✓ | ✓ | ✓ | ✓ | | |
| | | | | | | | | |
| A314.9 | ✓ | ✓ | ✓ | ✓ | ✓ | | | |

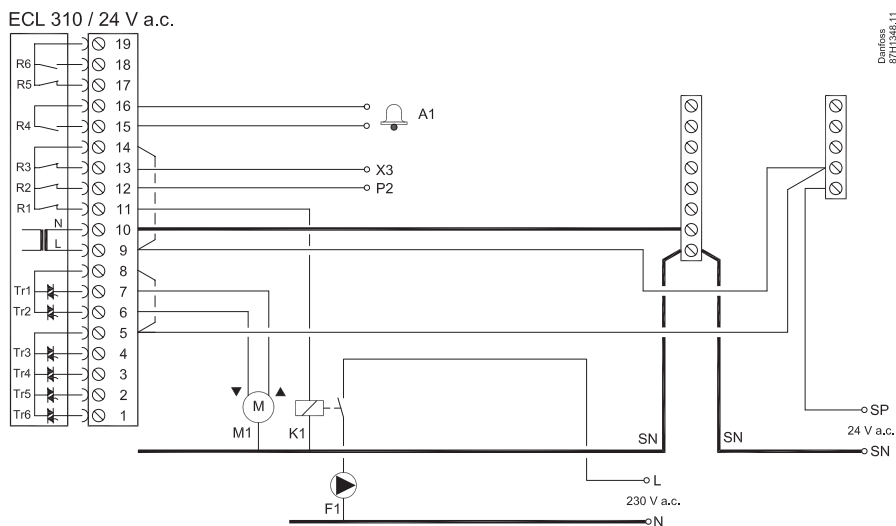
ECL Comfort 210 / 310:
24 V a.c.

| | | |
|----|--|---------------------|
| R | | 4 (2) A / 24 V a.c. |
| Tr | | 1 A / 24 V a.c. |

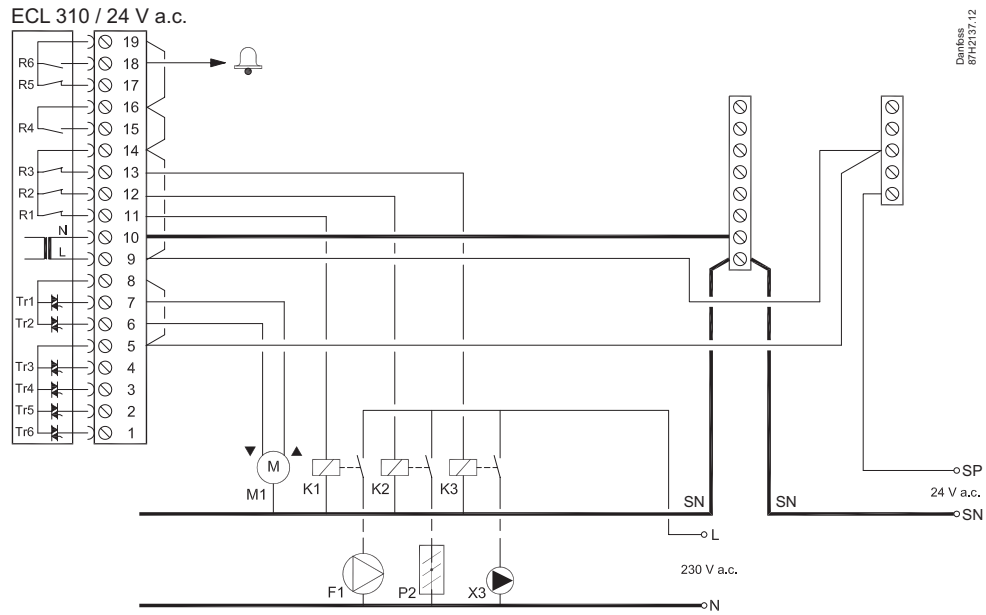
24 V a.c., A214



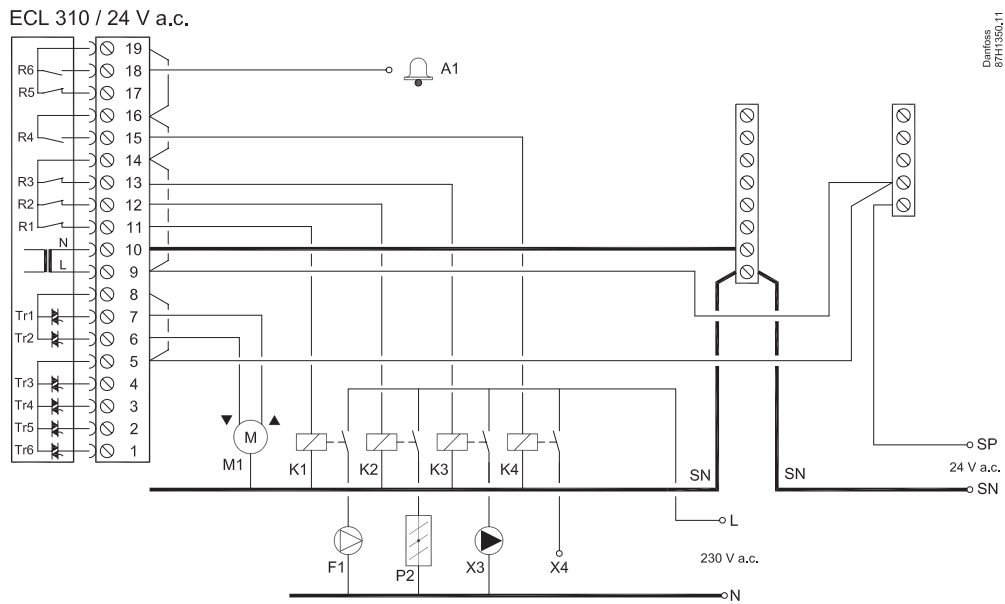
24 V a.c. (A214.6)



24 V a.c. (A314.1 / A314.2 / A314.3)

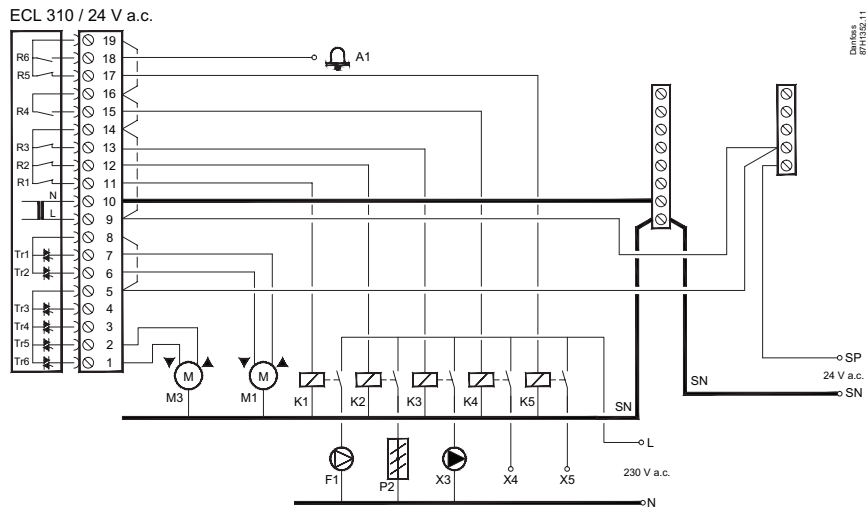


24 V a.c. (A314.4 / A314.5 / A314.9)

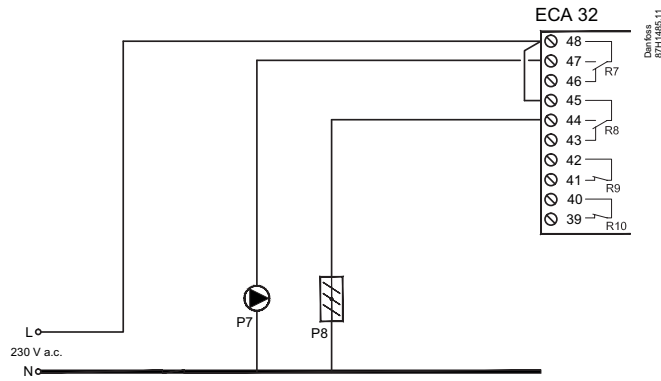


Installation Guide, ECL Comfort 210 / 296 / 310, A214 / A314

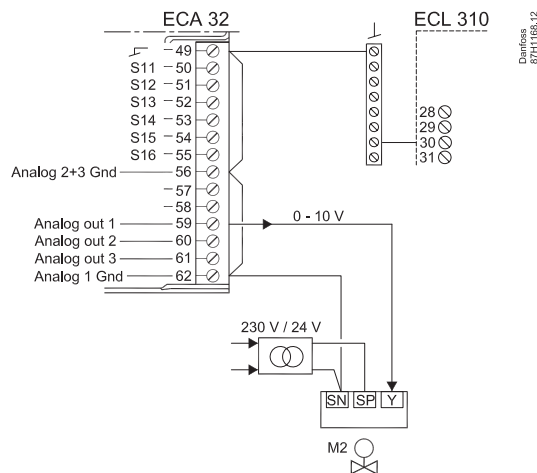
24 V a.c. (A314.6 / A314.7)



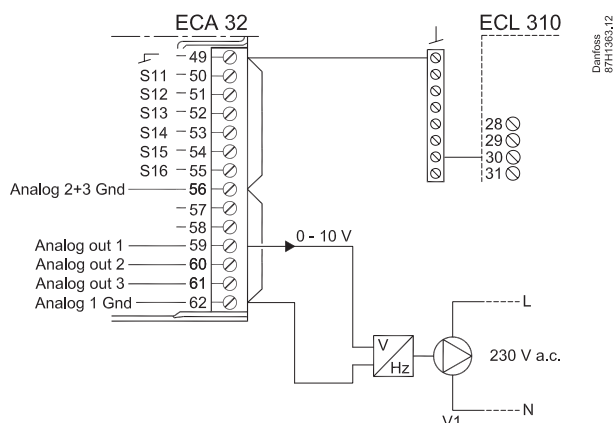
ECA 32



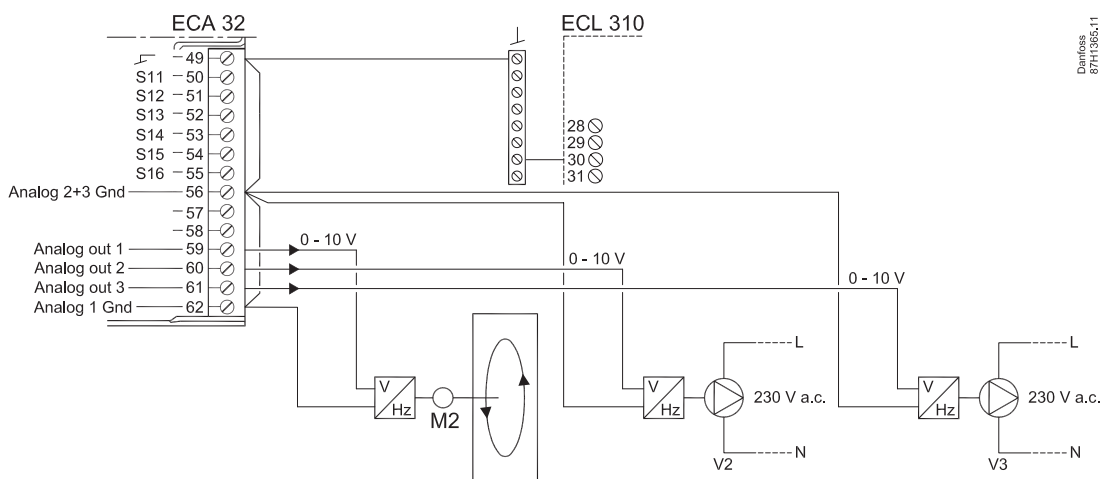
ECA 32 (A314.1 / A314.2)



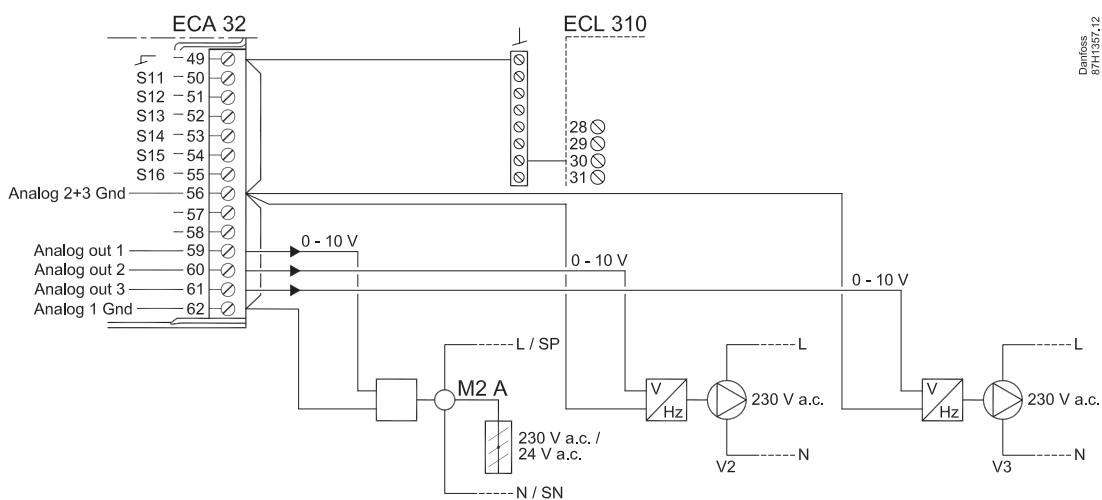
ECA 32 (A314.3)



ECA 32 (A314.4, ex. a / A314.5, ex. a / A314.6, ex. a / A314.7, ex. a)

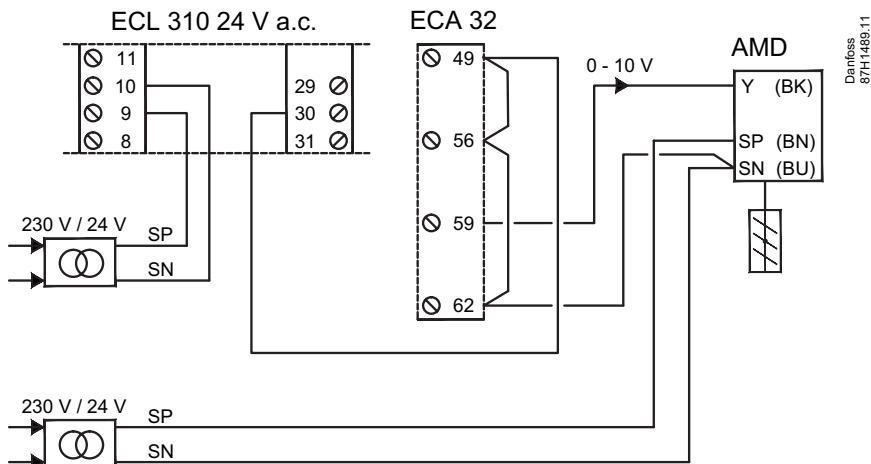


ECA 32 (A314.4, ex. a / A314.5, ex. a / A314.6, ex. a / A314.7, ex. a / A314.9, ex. a + b)

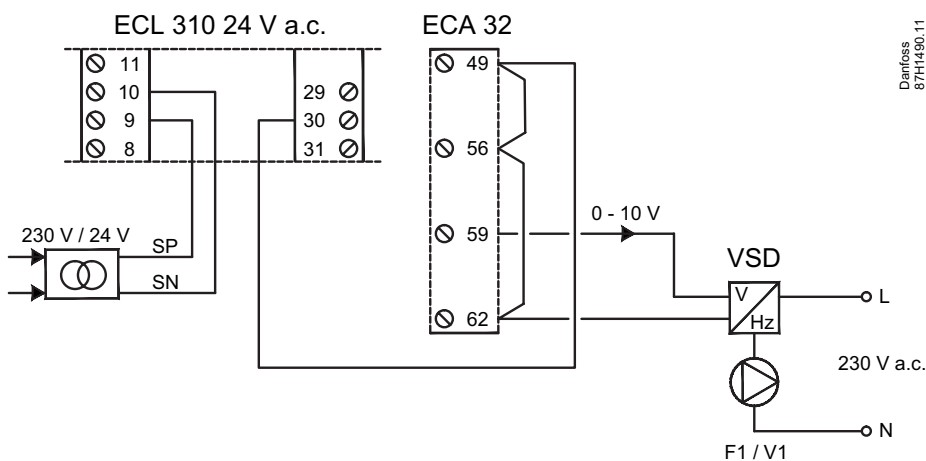


L - N: 230 V a.c. / SP - SN: 24 V a.c.

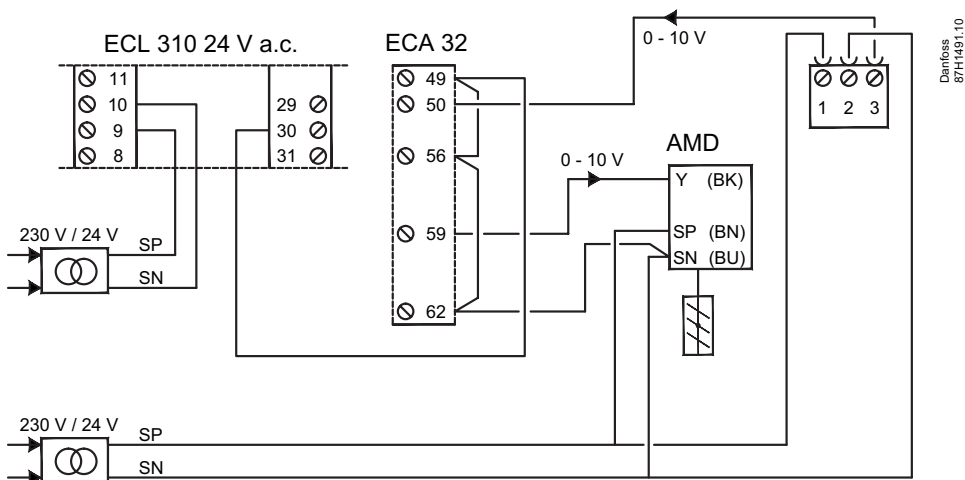
Example:



Example:

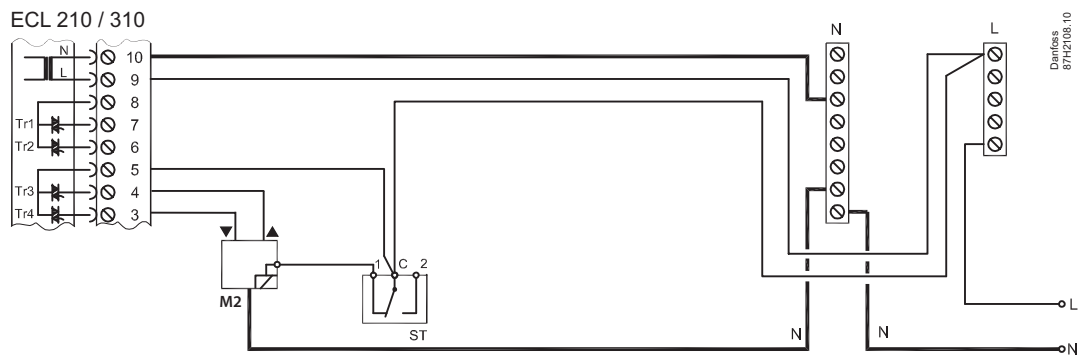
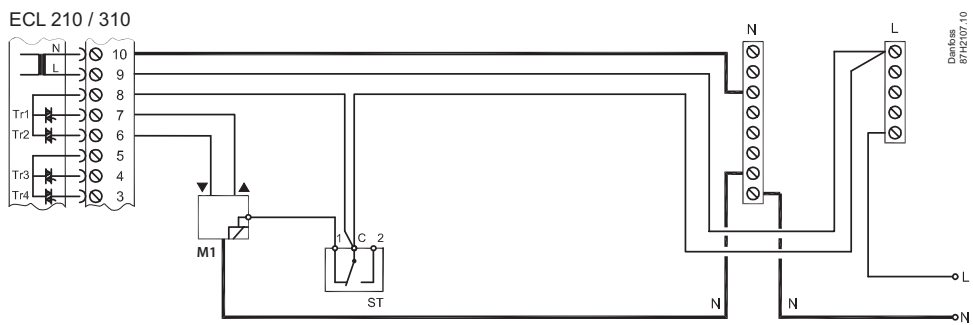
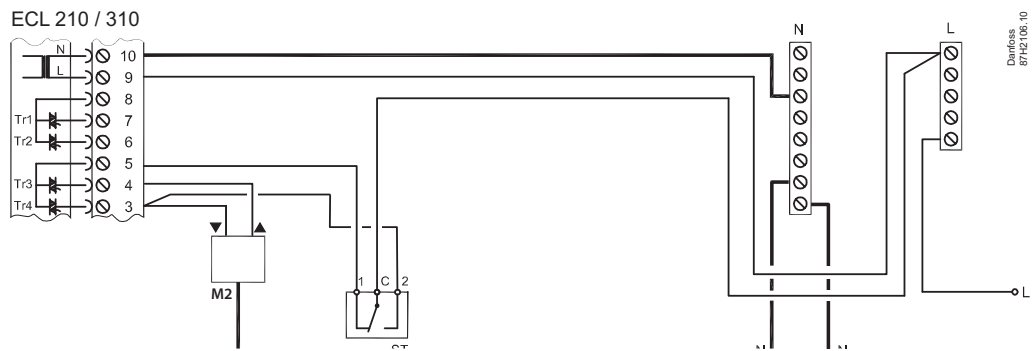
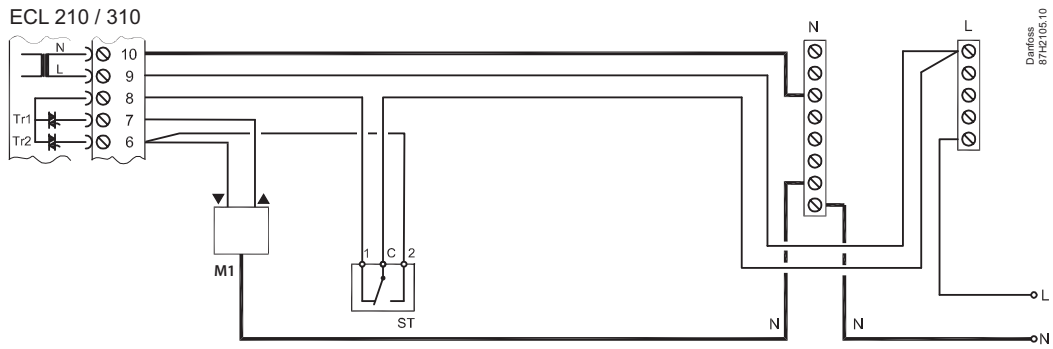


Example:

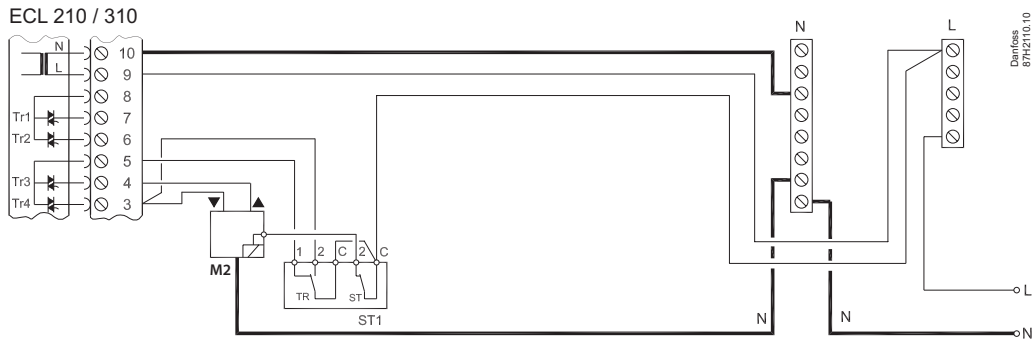
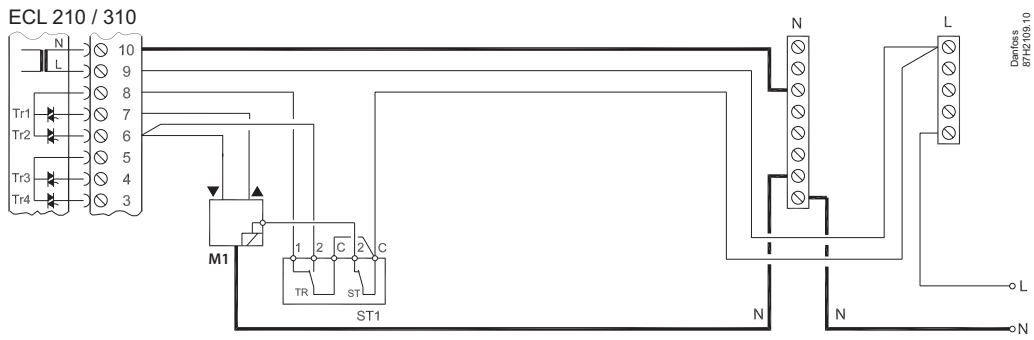


230 V a.c. / 24 V a.c. , safety thermostat

1-step closing

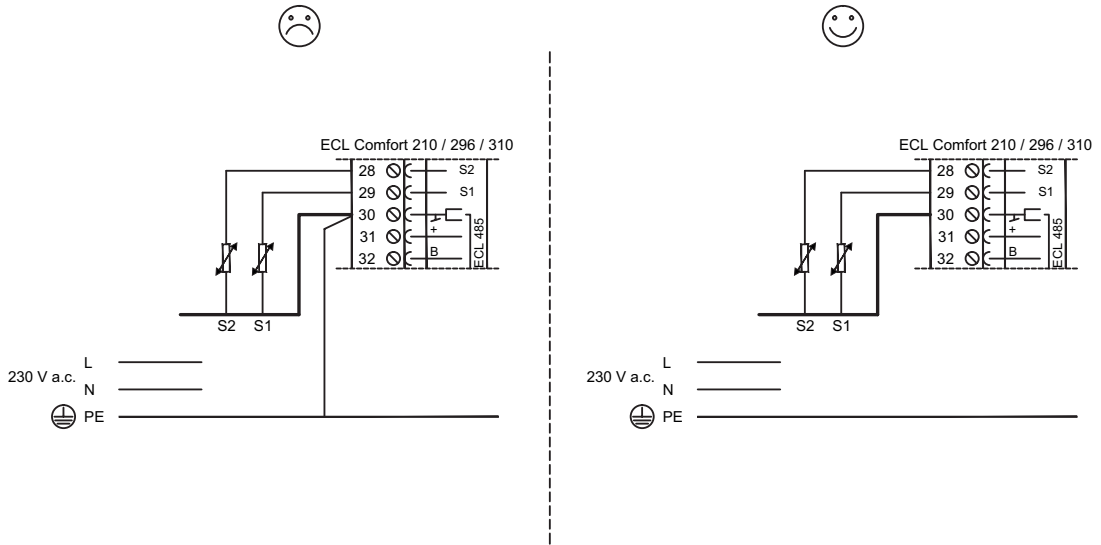


**230 V a.c. / 24 V a.c. , safety thermostat
2-step closing**

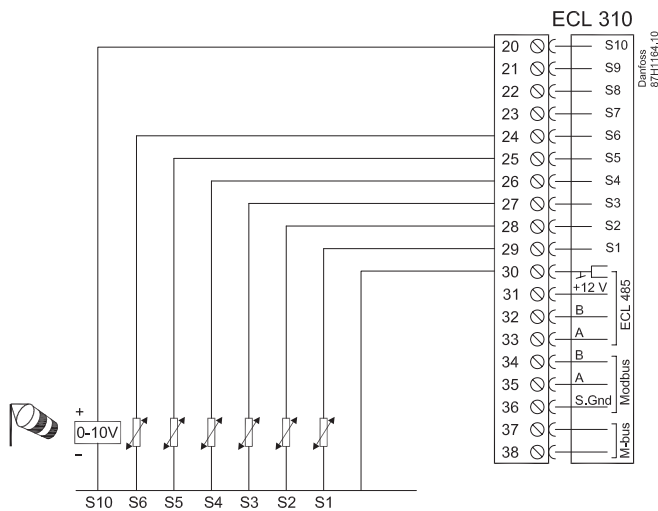
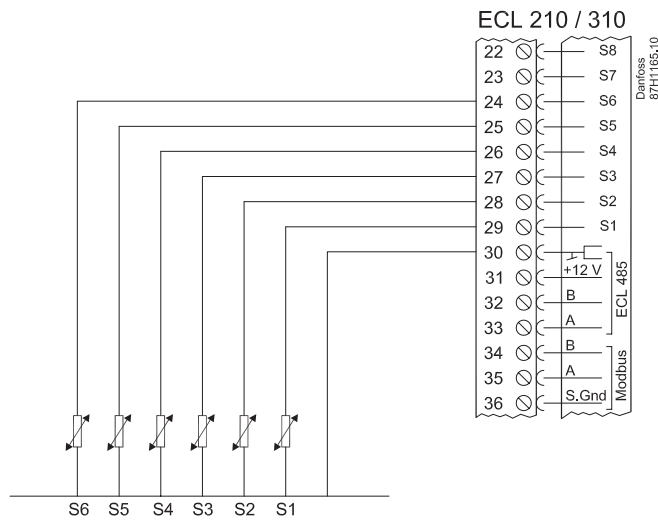


Installation Guide, ECL Comfort 210 / 296 / 310, A214 / A314

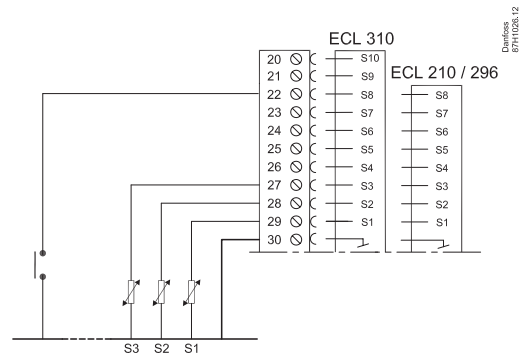
Pt 1000 (1000 Ω / 0 °C)



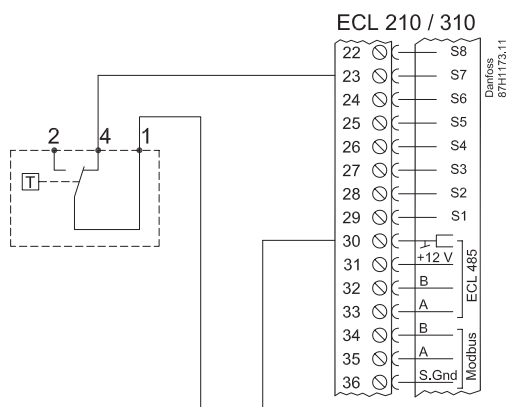
Danfoss
87H1487.11



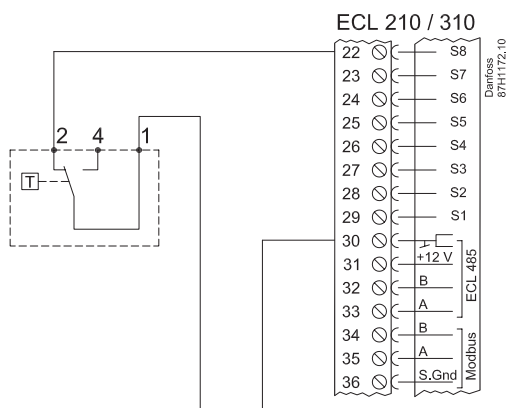
A214



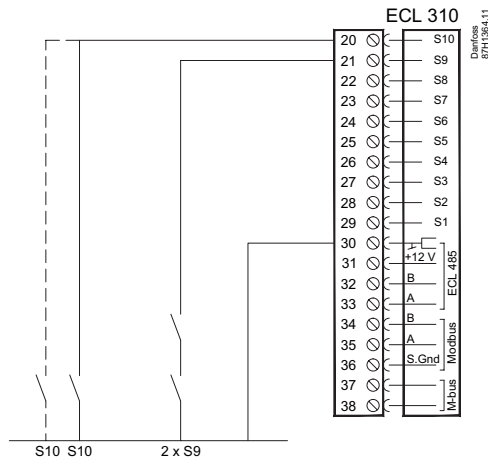
S7



S8

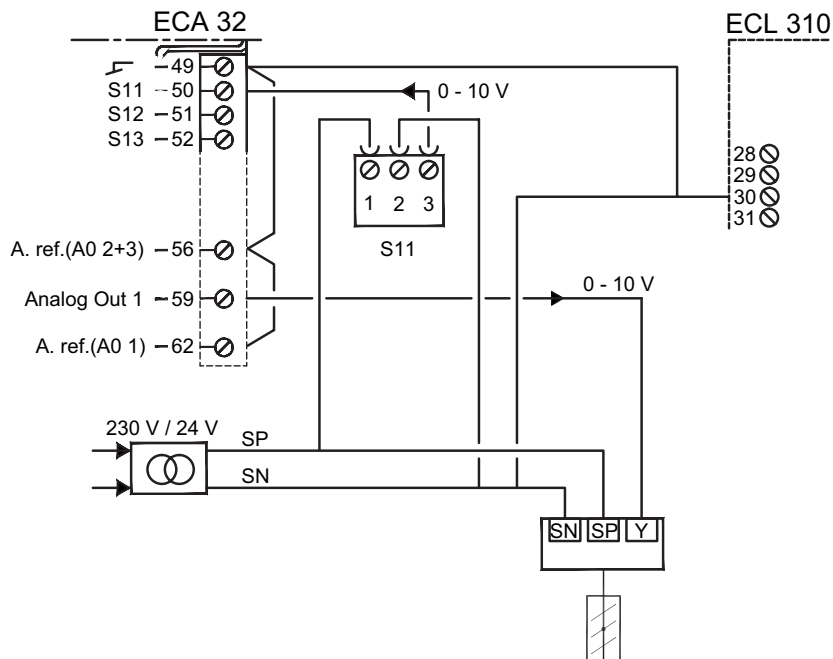


S9 / S10



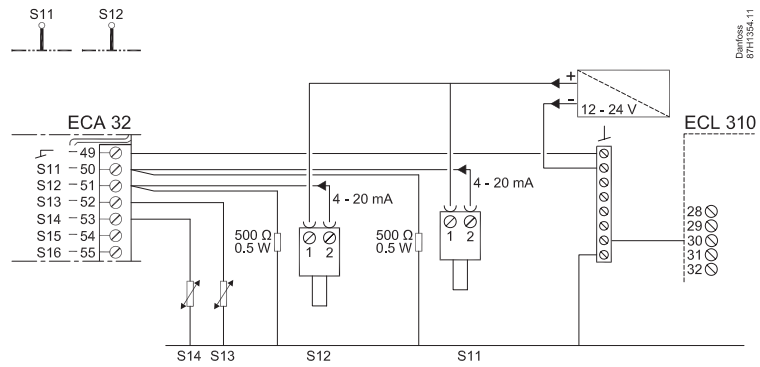
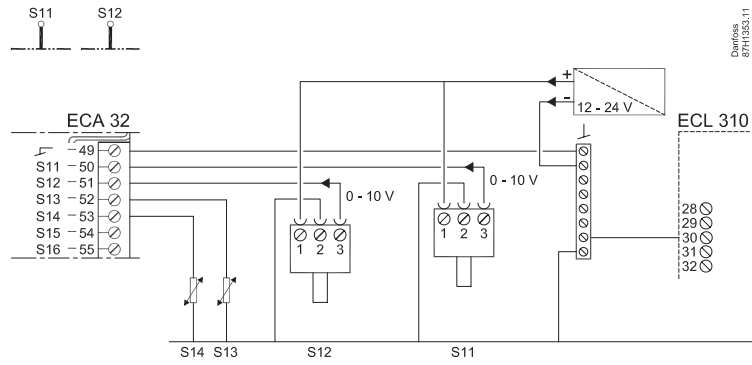
ECA 32

| | S11 | S12 | S13 | S14 |
|--------|-----|-----|-----|-----|
| A314.4 | ✓ | ✓ | ✓ | ✓ |
| A314.5 | ✓ | | ✓ | ✓ |
| A314.6 | ✓ | ✓ | ✓ | ✓ |
| A314.7 | ✓ | | ✓ | ✓ |
| A314.9 | ✓ | | | |

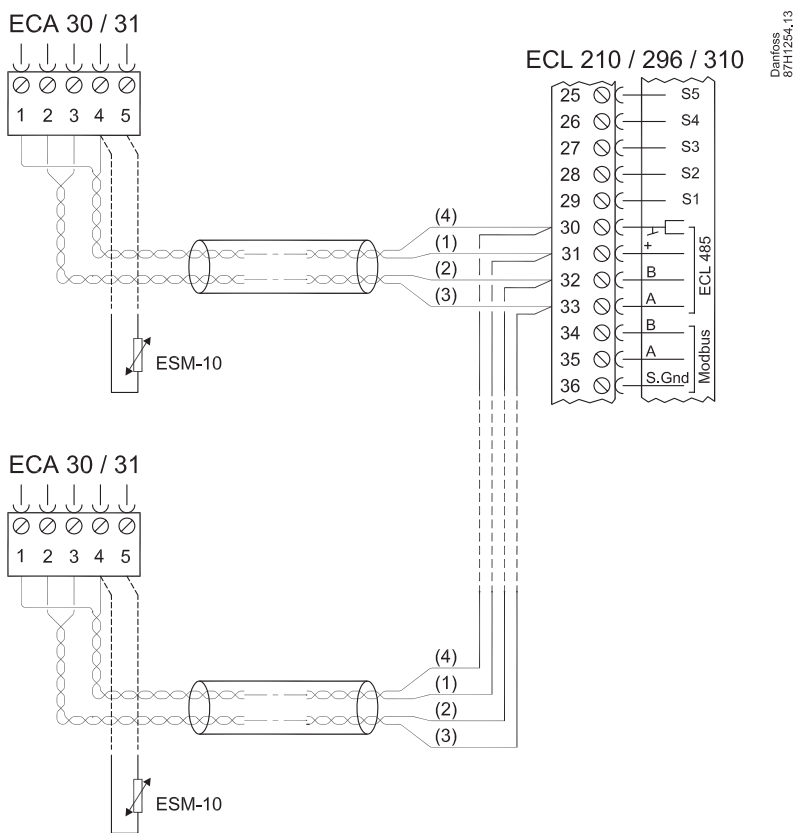
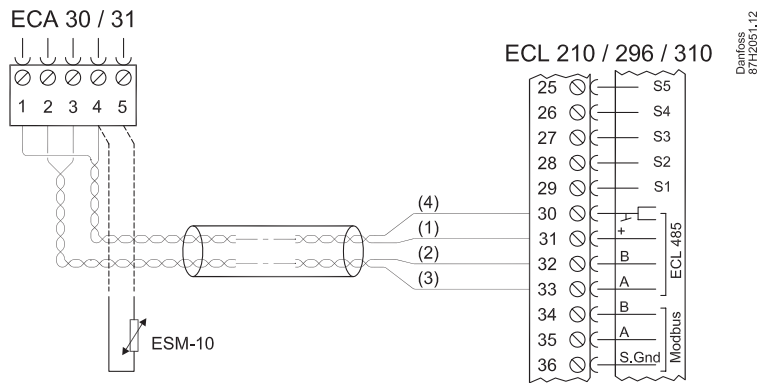


Danfoss
87H1560.10

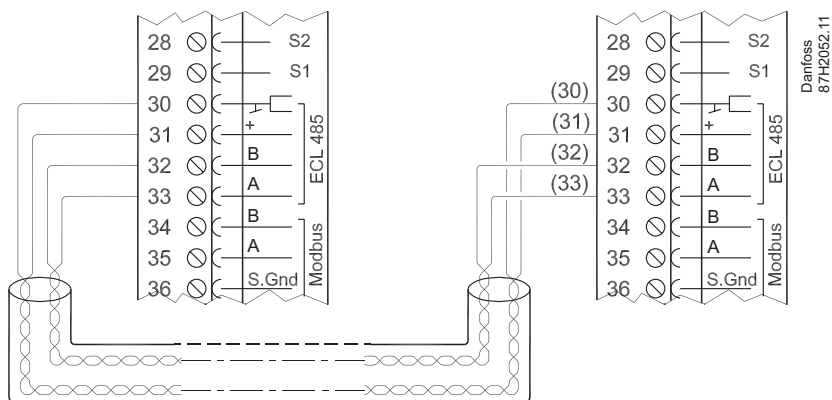
ECA 32



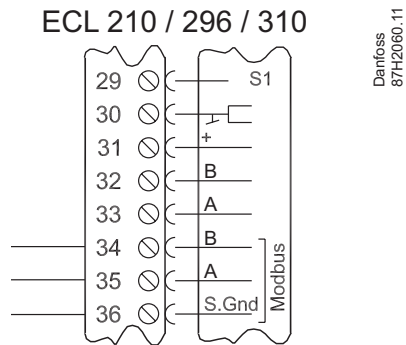
ECA 30 / 31



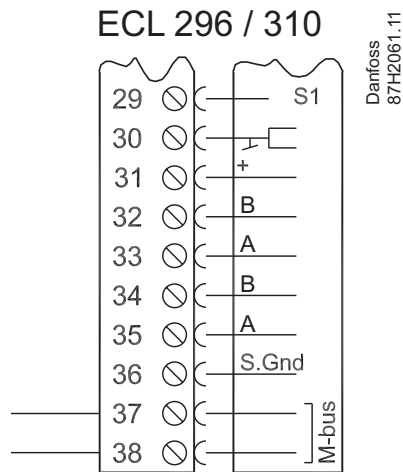
Master / slave



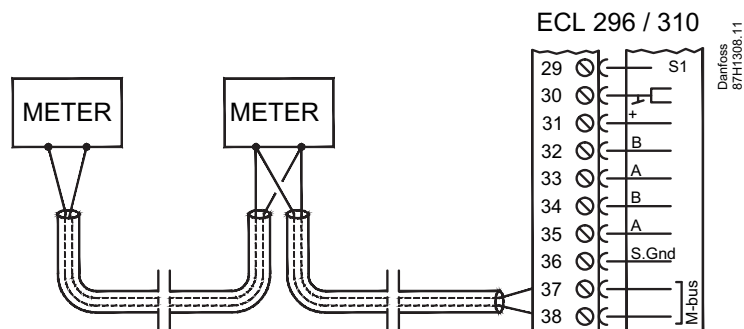
Modbus



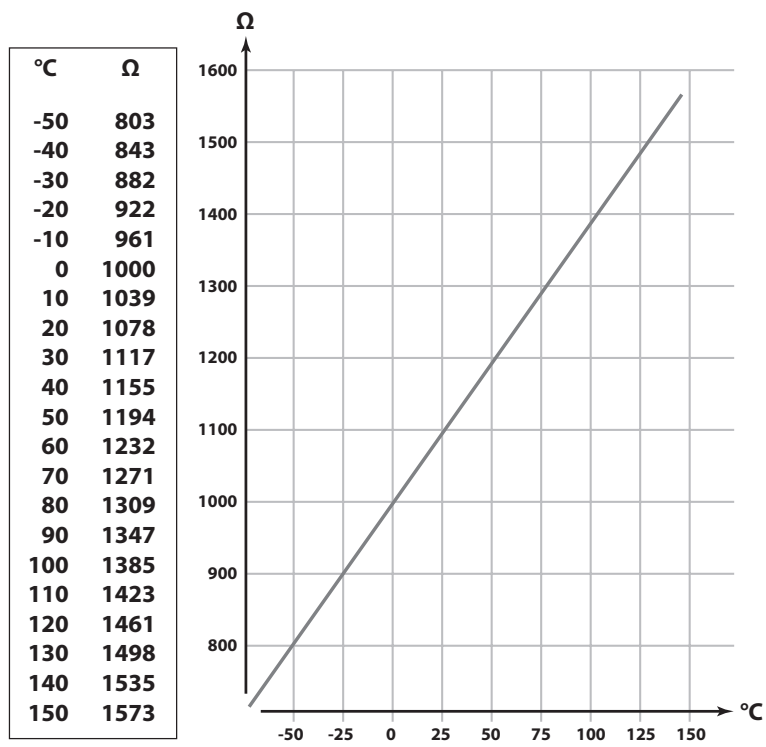
M-bus



M-bus

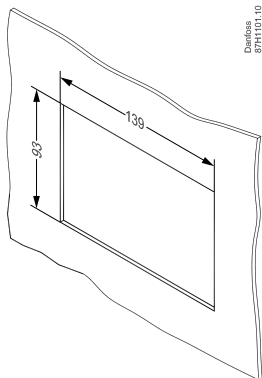


Pt 1000 (IEC 751B, 1000 Ω / 0 $^{\circ}\text{C}$)



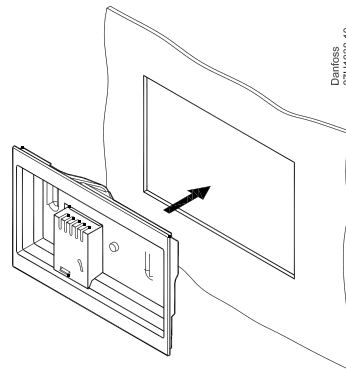
ECA 30

1



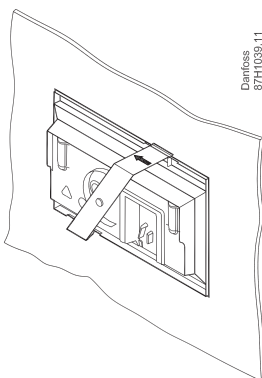
Danfoss
87H101.10

2



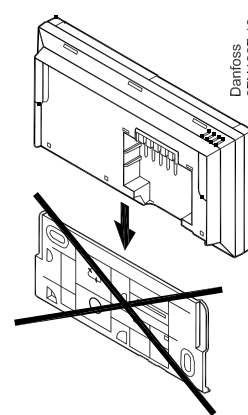
Danfoss
87H1038.10

3



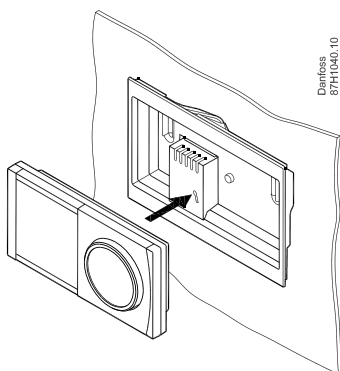
Danfoss
87H1039.11

4



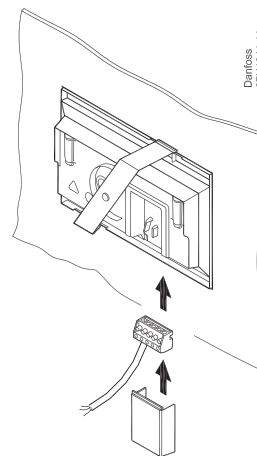
Danfoss
87H1037.10

5



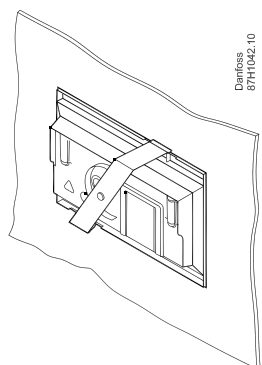
Danfoss
87H1040.10

6



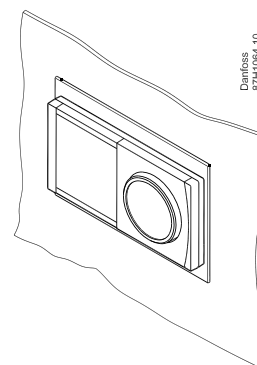
Danfoss
87H1041.11

7



Danfoss
87H1042.10

8

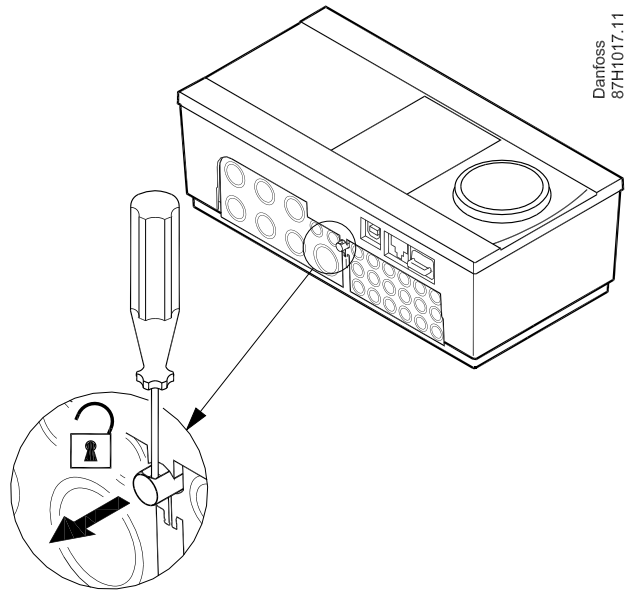


Danfoss
87H1064.10

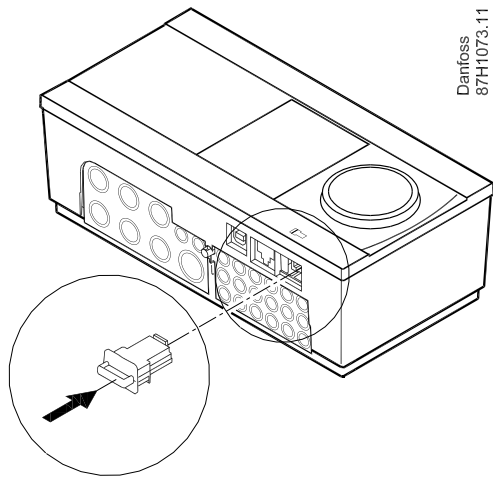
Installation Guide, ECL Comfort 210 / 296 / 310, A214 / A314



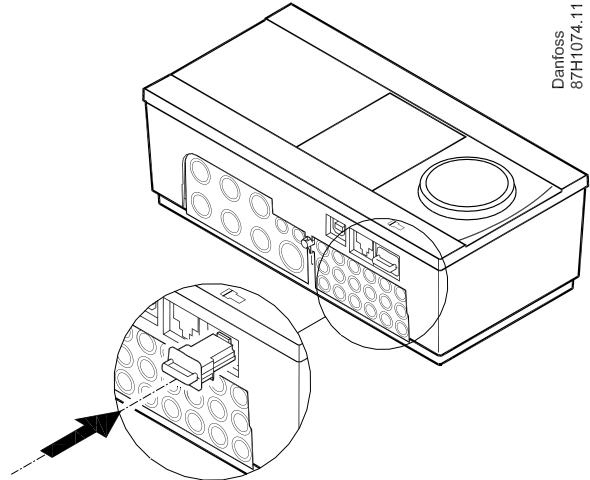
Danfoss
87H1021.11



Danfoss
87H1017.11



Danfoss
87H1073.11



Danfoss
87H1074.11

? **ECL Comfort 210 / 296 / 310, A214 / A314: www.heating.danfoss.com**

? **<https://www.youtube.com/user/DanfossHeating>
-> Playlists -> How-to Videos -> District Energy installation videos**

