

VOLANO TERMICO CALDO-FREDDO R/C GB VT

VERTICAL INERTIAL HOT/COLD WATER TANK BOX



TECHNICAL DESCRIPTION

These buffer are with hard box insulation and an external lining with a galvanized and painted plate, raw inside. They are suited for installation that works with cold water during Summer and hot water during Winter.

They also allow to limit the number of switch on/off of the generator (either heat pump, chilled system or standard Generator) increasing the thermic inertia of the system and to have more fixed temperatures.

MATERIAL

Mild steel.

APPLICATION

Storage of chilled or hot water for inverter installations.

EXTERNAL LINING

Galvanized and painted metallic cover.

ANTI-CORROSION TREATMENT

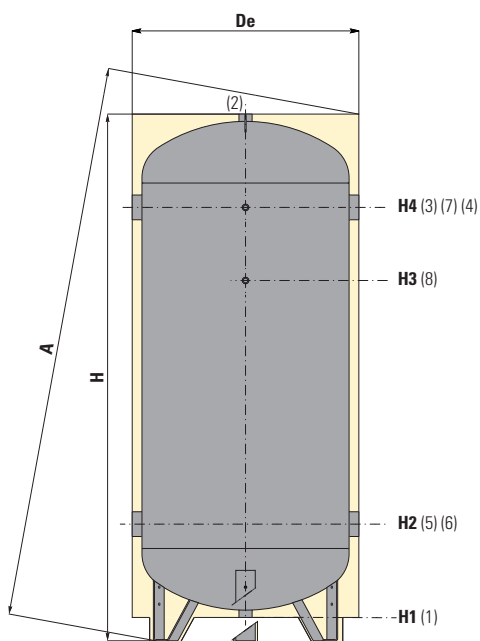
Not needed as the tank as to be connected to a closed system, without any further air admission.

INSULATION

High thermal insulation with ecological hard polyurethane foam.

WARRANTY

2 years - See general sales conditions and warranty.



PRESSURE	TEMPERATURE
Pmax	Tmax
6 bar	-10 / +90 °C

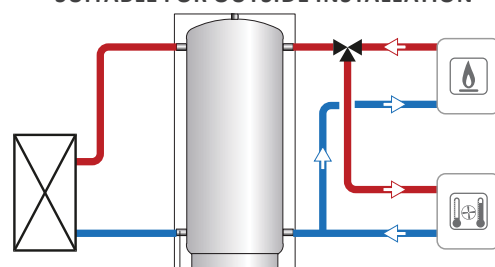


1	Drain
2	Safety Valve
3-4-5-6	To the System
7-8	Instrumentation 1/2" Gas F

VOLANO TERMICO CALDO-FREDDO ENERGY EFFICIENCY CLASS

Model	ACQ. R/C. GB VT (HARD BOX INSULATION) Art. Nr.	ErP
100	3001162310501	C
200	3001162310502	C
300	3001162310503	C
500	3001162310504	D
800	3001162310505	E
1000	3001162310506	F
1500	3001162310507	F
2000	3001162310508	G

SUITABLE FOR OUTSIDE INSTALLATION



VOLANO TERMICO CALDO-FREDDO HE SERIES

Designed according to 2009/125/CE Directive (ErP – Eco-friendly Plan Specification), HE series are already compliant with Regulation n. 814/2013, that demands C-energy efficiency class from September, 26th 2017.



CORDIVARI Lab
TÜV Rheinland Energie und Umwelt GmbH states that test procedures and Cordivari LAB are certified conforming to European standard EN 15332, as indicated by Ecodesign ErP Directive.



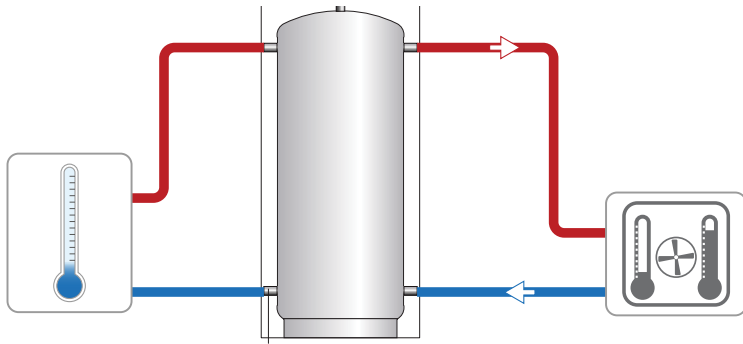
VOLANO TERMICO CALDO-FREDDO HE ENERGY EFFICIENCY CLASS

Model	ACQ. R/C. GB VT (HARD BOX INSULATION) Art. Nr.	ErP
500	3001162310524	C
800	3001162310525	C
1000	3001162310526	C
1500	3001162310527	C
2000	3001162310528	C

Model	Weight [Kg]	Net Volume [litres]	De	De (HE SERIE)	H	A	H1	H2	H3	H4	Connections Gas F		
											1 2	5 - 6 - 3 - 4	7 - 8
100	32	101	460	//	1006	1017	73	287	592	792	1"1/4	1"1/2	1/2"
200	53	190	510	//	1407	1415	68	297	927	1177	1"1/4	1"1/2	1/2"
300	67	292	610	//	1518	1529	129	404	994	1244	1"1/4	2"	1/2"
500	101	501	710	750	1790	1941	80	400	1200	1450	1"1/4	3"	1/2"
800	147	788	810	900	2100	2285	80	430	1437	1730	1"1/4	3"	1/2"
1000	170	1034	930	1000	2166	2386	80	463	1463	1763	1"1/2	3"	1/2"
1500	183	1432	1010	1100	2366	2609	100	471	1681	1981	2"	3"	1/2"
2000	219	1970	1170	1300	2436	2761	100	506	1716	2016	2"	3"	1/2"

ACQUA REFRIGERATA ZINCATO ZB VT

VERTICAL GALVANIZED CHILLED WATER TANK BOX



SUITABLE FOR OUTSIDE INSTALLATION

PRESSURE	TEMPERATURE
Pmax	Tmax
6 bar	-10 / +60 °C



TECHNICAL DESCRIPTION

These buffer are with hard box insulation and an external lining with a galvanized and painted plate. They are used for air conditioning installations in order to increase the thermal inertia and, for those installations without a low water-capacity, avoiding that the chilling generator is continually working.

APPLICATION

Storage of chilled water for Air Conditioning installations.

MATERIAL

Galvanized mild steel..

EXTERNAL LINING

Galvanized and painted metallic cover.

INSULATION

High thermal insulation with ecological hard polyurethane foam.

ANTI-CORROSION TREATMENT

These tanks are galvanized inside and outside, with immersion in a pool of fused zinc with pureness not below 99,99% (Uni EN 1179).

WARRANTY

2 years

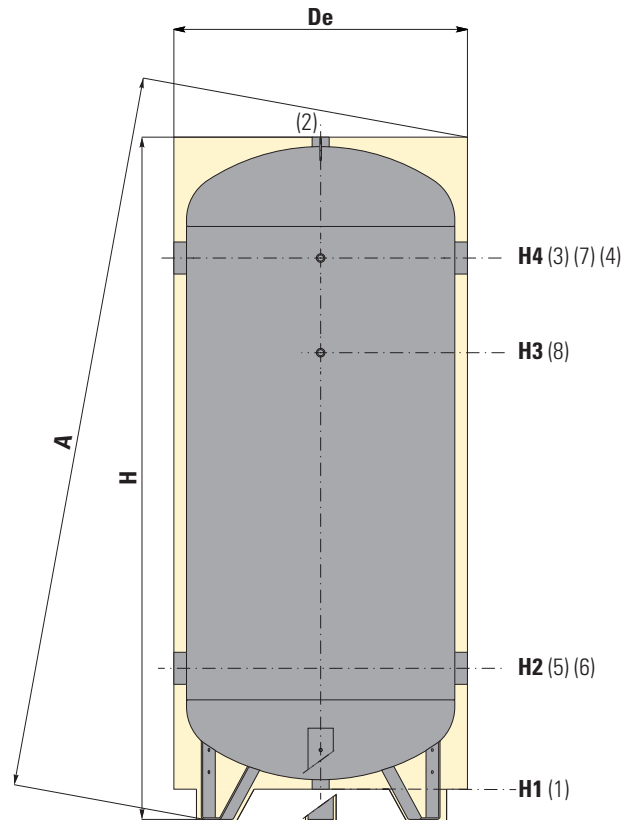
See general sales conditions and warranty.

Model	ACQ. REF. ZB VT (BOX INSULATION)
	Art. Nr.
100	3001162310001
200	3001162310002
300	3001162310003
500	3001162310004
800	3001162310005
1000	3001162310006
1500	3001162310007
2000	3001162310008



SUITABLE FOR OUTSIDE INSTALLATION

1	Drain
2	Safety Valve
3-4-5-6	To the System
7-8	Instrumentation 1/2" Gas F



Model	Weight [Kg]	Net Volume [litres]	De	H	A	H1	H2	H3	H4	Connections Gas F		
										1 2	5 - 6 - 3 - 4	7 - 8
100	32	101	460	1006	1017	73	287	592	792	1"1/4	1"1/2	1/2"
200	53	190	510	1407	1415	68	297	927	1177	1"1/4	1"1/2	1/2"
300	67	292	610	1518	1529	129	404	994	1244	1"1/4	2"	1/2"
500	101	501	710	1810	1821	121	441	1241	1491	1"1/4	3"	1/2"
800	147	788	810	2108	2119	108	458	1458	1758	1"1/4	3"	1/2"
1000	170	1034	930	2162	2178	96	479	1479	1779	1"1/2	3"	1/2"
1500	183	1432	1010	2351	2386	102	471	1681	1981	2"	3"	1/2"
2000	219	1970	1170	2421	2437	102	506	1716	2016	2"	3"	1/2"

P.E.D. product planned and produced in conformity to the article 3.3 of directive 92/23/CE

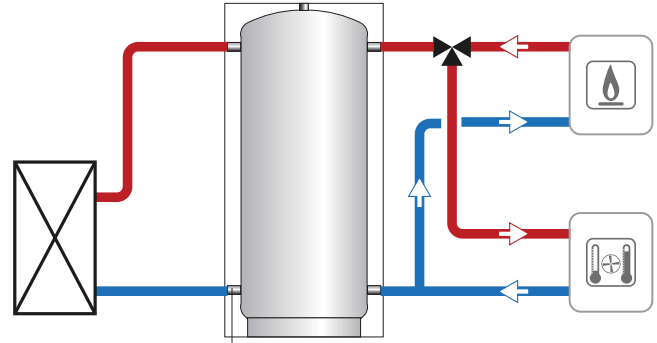
INERTIAL TANKS

ACQUA REFRIGERATA GREZZO GC 20 VT

VERTICAL CHILLED NOT TREATED WATER TANK



PRESSURE	TEMPERATURE
Pmax	Tmax
6 bar	-10 / +90 °C



TECHNICAL DESCRIPTION

Vertical inertial water tanks are used for inverter systems in order to increase the thermal inertia and, for those installations with a low water-capacity, avoiding that the chilling generator is continually working.

APPLICATION

Storage of chilled or hot water for inverter installations.

EXTERNAL LINING

Blue skai with plastic black caps for connections.

MATERIAL

Outside painted mild steel, inside uncoated.

INSULATION

– From 100 to 5000 liters: 20 mm fixed polyethylene not subject to condensation. Not self-extinguishing version. Not removable from the tank.

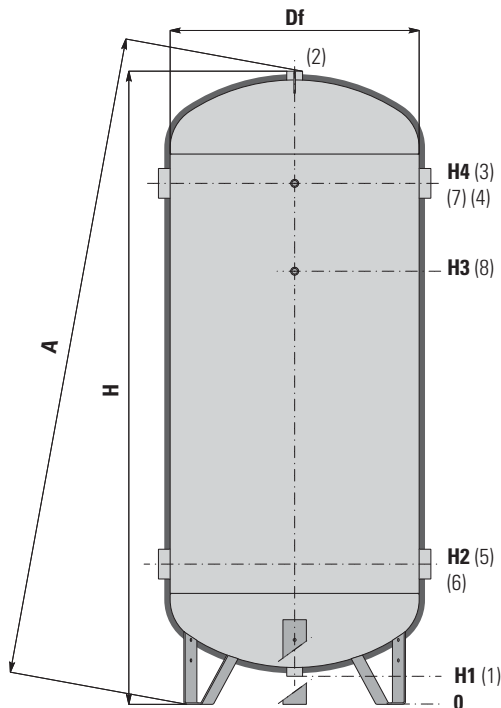
– From 3000 to 5000 liters (increased insulation): 20 mm fixed polyethylene not subject to condensation joined with NOFIRE® 50 mm soft polyester fibre 100% made of recyclable

material, with high Thermal insulation. Fire resistance class B-s2d0 according to EN 13501.

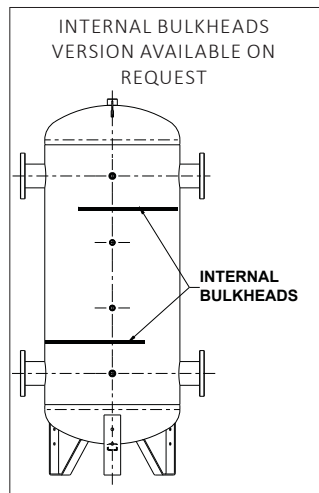
WARRANTY

2 years

See general sales conditions and warranty.



1	Drain
2	Safety Valve
3 4 5 6	To the System
7-8	Connection for instrumentation 1/2" Gas F



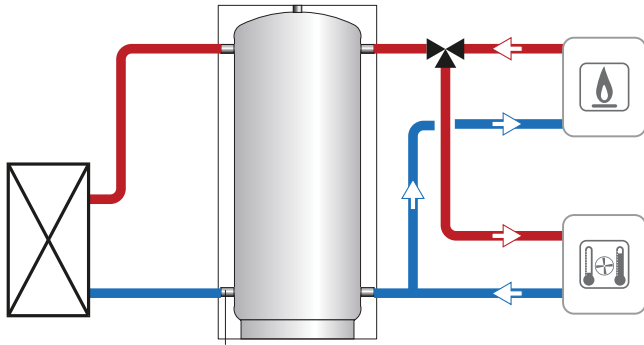
Model	ACQ. REF. GC 20 VT (20 MM NOT SELF-STINGUISHING INSULATION)
	Art. Nr.
100	3001162131101
200	3001162131102
300	3001162131103
500	3001162131104
800	3001162131105
1000	3001162131106
1500	3001162131107
2000	3001162131108
2500	3001162131113
3000	3001162131109
4000	3001162131110
5000	3001162131112

Model	ACQ. REF. GC 20+50 VT (WITH INCREASED INSULATION)
	3000
4000	3001162310511
5000	3001162310512

Model	Weight	Net Volume	Df	H	A	H1	H2	H3	H4	Connections Gas F		
	[Kg]	[litres]								[mm]		
100	32	101	400	1006	1017	73	287	592	792	1"1/4	1"1/2	1/2"
200	53	190	450	1407	1415	68	297	927	1177	1"1/4	1"1/2	1/2"
300	67	292	550	1518	1529	129	404	994	1244	1"1/4	2"	1/2"
500	101	501	650	1810	1821	121	441	1241	1491	1"1/4	3"	1/2"
800	147	788	750	2108	2119	108	458	1458	1758	1"1/4	3"	1/2"
1000	170	1034	850	2162	2178	96	479	1479	1779	1"1/2	3"	1/2"
1500	183	1432	950	2351	2386	121	490	1700	2000	2"	3"	1/2"
2000	219	1970	1100	2421	2437	105	509	1719	2019	2"	3"	1/2"
2500	274	2300	1250	2289	2304	149	619	1519	1819	2"	4"	1/2"
3000	321	2908	1250	2804	2826	149	619	1919	2319	2"	4"	1/2"
4000	442	3749	1400	2878	2904	133	648	1948	2348	2"	4"	1/2"
5000	565	4964	1600	2916	2948	111	656	1956	2356	2"	4"	1/2"

ACQUA REFRIGERATA GREZZO GC 20 OR

HORIZONTAL CHILLED NOT TREATED WATER TANK



PRESSURE	TEMPERATURE
Pmax	Tmax
6 bar	-10 / +90 °C

TECHNICAL DESCRIPTION

Horizontal inertial water tanks are used for inverter systems in order to increase the thermal inertia and, for those installations with a low water capacity, avoiding that the chilling generator is continually working.

APPLICATION

Storage of chilled or hot water for inverter installations.

EXTERNAL LINING

Blue skai with plastic black caps for connections.

MATERIAL

Outside painted mild steel, inside uncoated.

INSULATION

20 mm fixed polyethylene not subject to condensation. Not self-extinguishing version. Not removable from the tank.

20 mm not self-extinguishing insulation.

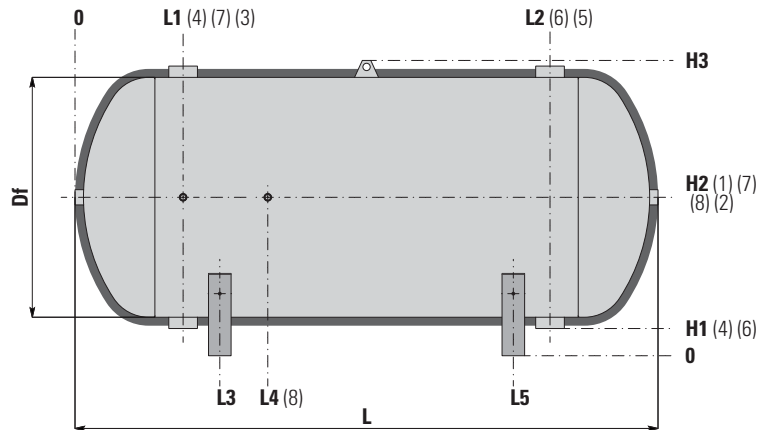
WARRANTY

2 years

See general sales conditions and warranty.

Model	ACQ. REF. GC 20 OR (WITH 20 MM NOT SELF- EXTINGUISHING INSULATION)
	Art. Nr.
100	3001161031001
200	3001161031002
300	3001161031003
500	3001161031004
800	3001161031005
1000	3001161031006
1500	3001161031007
2000	3001161031008
2500	3001161031013
3000	3001161031009
4000	3001161031010
5000	3001161031012

1	Drain
2	Safety Valve
3 - 4	To the System
5 - 6	
7	Connection for instrumentation 1/2"
8	Gas F



Model	Weight	Net Volume	Df	L	L1	L2	L3	L4	L5	H1	H2	H3	Connections Gas F		
	[Kg]	[litres]											1 2	3 4 5 6	7 - 8
100	32	99	400	934	215	720	290	415	645	63	293	523	1"1/4	1"1/2	1/2"
200	53	187	450	1339	230	1110	335	480	1005	61	316	571	1"1/4	1"1/2	1/2"
300	68	288	550	1389	275	1115	365	525	1025	115	425	760	1"1/4	2"	1/2"
500	102	496	650	1689	320	1370	415	570	1275	107	472	857	1"1/4	3"	1/2"
800	148	788	750	2000	350	1650	480	650	1520	101	516	951	1"1/4	3"	1/2"
1000	170	1034	850	2066	383	1683	513	683	1553	96	561	1046	1"1/2	3"	1/2"
1500	184	1432	950	2250	370	1880	505	670	1745	82	597	1142	2"	3"	1/2"
2000	220	1970	1100	2320	405	1915	525	705	1795	73	663	1283	2"	3"	1/2"
2500	284	2300	1250	2140	470	1670	620	770	1520	154	829	1524	2"	4"	1/2"
3000	330	2908	1250	2640	470	2170	620	870	2020	154	829	1524	2"	4"	1/2"
4000	452	3749	1400	2730	515	2215	665	915	2065	142	892	1662	2"	4"	1/2"
5000	574	4964	1600	2790	545	2245	695	945	2095	125	975	1845	2"	4"	1/2"

P.E.D. product planned and produced in conformity to the article 3.3 of directive 92/23/CE

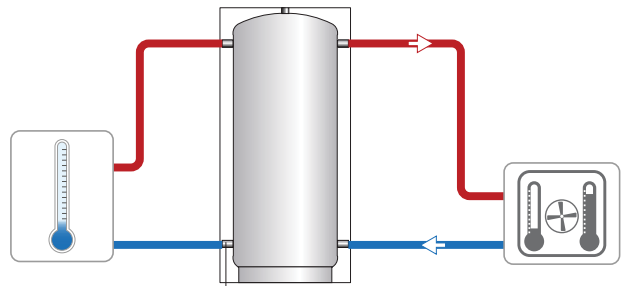
INERTIAL TANKS

ACQUA REFRIGERATA ZINCATO ZC 20 VT

VERTICAL GALVANIZED CHILLED WATER TANK



PRESSURE	TEMPERATURE
Pmax	Tmax
6 bar	-10 / +60 °C



TECHNICAL DESCRIPTION

Vertical chilled water tanks are used for air conditioning installations in order to increase the thermal inertia and, for those installations with a low water-capacity, avoiding that the chilling generator is continually working. These tanks are made in galvanized mild steel.

APPLICATION

Storage of chilled water for air conditioning systems.

EXTERNAL LINING

Blue skai with plastic black caps for connections.

ANTI-CORROSION TREATMENT

These tanks are galvanized inside and outside, with immersion in a pool of fused zinc with pureness not below 99,99% (Uni EN 1179).

INSULATION

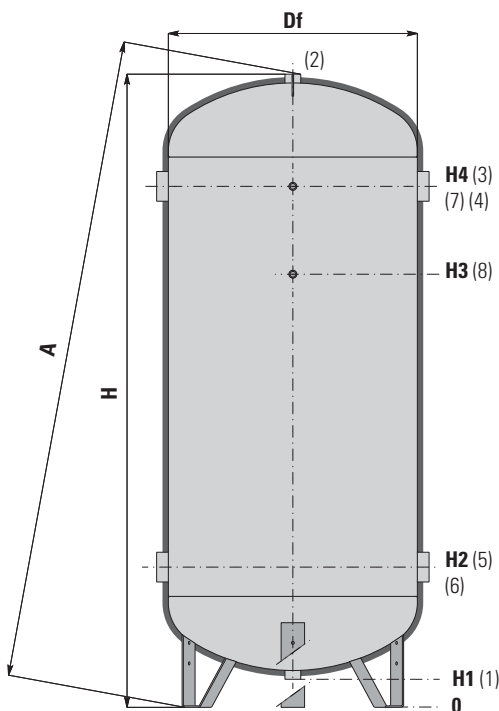
20 mm fixed polyethylene not subject to condensation. Not self-extinguishing version. Not removable from the tank.

20 mm not self-extinguishing insulation.

WARRANTY

2 years

See general sales conditions and warranty.



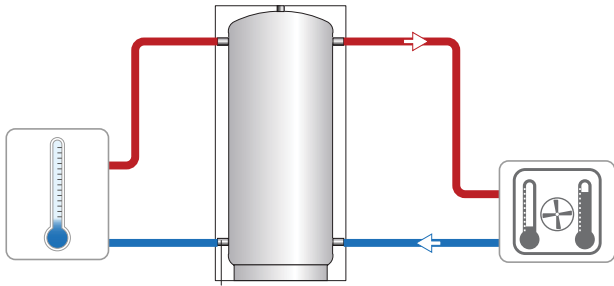
Model	ACQ. REF. ZC 20 VT (20 MM NOT SELF-EXTINGUISHING INSULATION)
	Art. Nr.
100	3001162130001
200	3001162130002
300	3001162130003
500	3001162130004
800	3001162130005
1000	3001162130006
1500	3001162130107
2000	3001162130108
2500	3001162130113
3000	3001162130109
4000	3001162130110
5000	3001162130112

1	Drain
2	Safety Valve
3 - 4	To the System
5 - 6	
7-8	Connection for instrumentation 1/2" Gas F

Model	Weight	Net Volume	Df	H	A	H1	H2	H3	H4	1-2	3-4-5-6	7-8
	[Kg]	[litres]										
100	32	101	400	1006	1017	73	287	592	792	1"1/4	1"1/2	1/2"
200	53	190	450	1407	1415	68	297	927	1177	1"1/4	1"1/2	1/2"
300	67	292	550	1518	1529	129	404	994	1244	1"1/4	2"	1/2"
500	101	501	650	1810	1821	121	441	1241	1491	1"1/4	3"	1/2"
800	147	788	750	2108	2119	108	458	1458	1758	1"1/4	3"	1/2"
1000	170	1034	850	2162	2178	96	479	1479	1779	1"1/2	3"	1/2"
1500	183	1432	950	2351	2386	121	490	1700	2000	2"	3"	1/2"
2000	219	1970	1100	2421	2437	105	509	1719	2019	2"	3"	1/2"
2500	274	2300	1250	2289	2304	149	619	1519	1819	2"	4"	1/2"
3000	321	2908	1250	2804	2826	149	619	1919	2319	2"	4"	1/2"
4000	442	3749	1400	2878	2904	133	648	1948	2348	2"	4"	1/2"
5000	565	4964	1600	2916	2948	111	656	1956	2356	2"	4"	1/2"

ACQUA REFRIGERATA ZINCATO ZC 20 OR

HORIZONTAL GALVANIZED CHILLED WATER TANK



PRESSURE	TEMPERATURE
Pmax	Tmax
6 bar	-10 / +60 °C

TECHNICAL DESCRIPTION

Horizontal chilled water tanks are used for air conditioning installations in order to increase the thermal inertia and, for those installations without a low water-capacity, avoiding that the chilling generator is continually working. These tanks are made in galvanized mild steel

APPLICATION

Storage of chilled water for air conditioning systems.

EXTERNAL LINING

Blue skai with plastic black caps for connections.

ANTI-CORROSION TREATMENT

These tanks are galvanized inside and outside, with immersion in a pool of fused zinc with pureness not below 99,99% (Uni EN 1179).

INSULATION

20 mm fixed polyethylene not subject to condensation. Not self-extinguishing version. Not removable from the tank.

20 mm not self-extinguishing insulation.

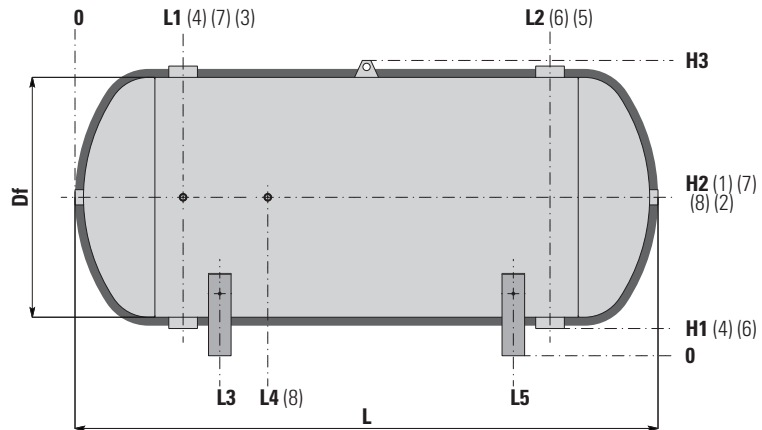
WARRANTY

2 years

See general sales conditions and warranty.

Model	ACQ. REF. ZC 20 OR (20 MM NOT SELF-EXTINGUISHING INSULATION)
	Art. Nr.
100	3001161030001
200	3001161030002
300	3001161030003
500	3001161030004
800	3001161030005
1000	3001161030006
1500	3001161030107
2000	3001161030108
2500	3001161030113
3000	3001161030109
4000	3001161030110
5000	3001161030112

1	Drain
2	Safety Valve
3 - 4	To the System
5 - 6	
7	Connection for instrumentation 1/2"
8	Gas F



Model	Weight	Net Volume	Df	L	L1	L2	L3	L4	L5	H1	H2	H3	Connections Gas F				
	[Kg]	[litres]											1 2	3 4	5 6	7 - 8	
100	32	99	400	934	215	720	290	415	645	63	293	523	1"1/4	1"1/2	1/2"		
200	53	187	450	1339	230	1110	335	480	1005	61	316	571	1"1/4	1"1/2	1/2"		
300	68	288	550	1389	275	1115	365	525	1025	115	425	760	1"1/4	2"	1/2"		
500	102	496	650	1689	320	1370	415	570	1275	107	472	857	1"1/4	3"	1/2"		
800	148	788	750	2000	350	1650	480	650	1520	101	516	951	1"1/4	3"	1/2"		
1000	170	1034	850	2066	383	1683	513	683	1553	96	561	1046	1"1/2	3"	1/2"		
1500	184	1432	950	2250	370	1880	505	670	1745	82	597	1142	2"	3"	1/2"		
2000	220	1970	1100	2320	405	1915	525	705	1795	73	663	1283	2"	3"	1/2"		
2500	284	2300	1250	2140	470	1670	620	770	1520	154	829	1524	2"	4"	1/2"		
3000	330	2908	1250	2640	470	2170	620	870	2020	154	829	1524	2"	4"	1/2"		
4000	452	3749	1400	2730	515	2215	665	915	2065	142	892	1662	2"	4"	1/2"		
5000	574	4964	1600	2790	545	2245	695	945	2095	125	975	1845	2"	4"	1/2"		

P.E.D. product planned and produced in conformity to the article 3.3 of directive 92/23/CE

INERTIAL TANKS